

FLARED CONFIGURATION | ALUMINUM

SPECIFICATIONS

Overview

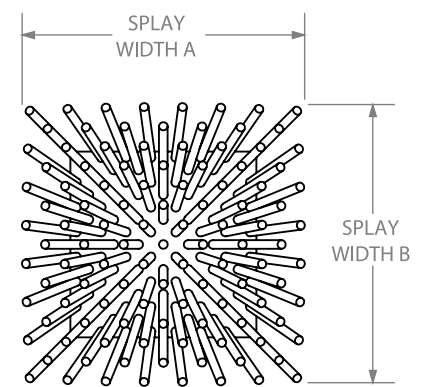
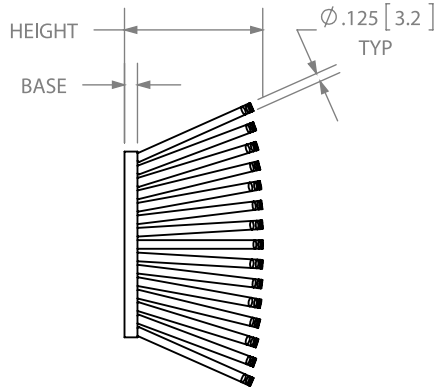
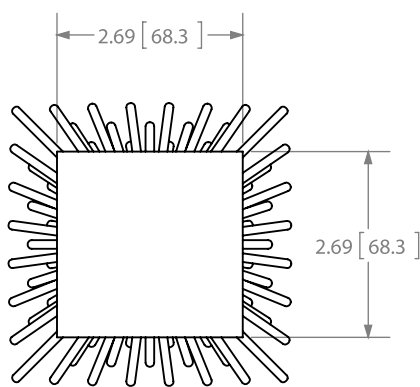
- Provides outstanding cooling power and low pressure drop
- Omnidirectional
- Recommended airspeed range: 0 to 600 LFM (0 to 3 m/s)
- RoHS compliant

Technical

- Material: Pure Aluminum
- Mfg. process: Cold forging
- Plating options: Black/clear anodize, chemical conversion coating
- Base finish: Lapped
Flatness: Better than 0.001 in/in
Surface roughness: 16 RMS

Flexible Parameters

- Footprint (length and width)
- Height (pin length & base thickness)
- Single or multiple pins can be eliminated
- Comprehensive machining (holes, threads, clearances, etc.)



A FLEXIBLE APPROACH: Parts can easily be modified to fit any application

P/N	Height in(mm)	Base in(mm)	Top (A) in(mm)	Top (B) in(mm)	Weight lb(g)	Thermal Resistance in °C/W			
						0(0)*	200(1)	400(2)	600(3)
3-272710G	1.00(25.4)	0.38(9.5)	3.14(80)	3.14(80)	0.35(158)	3.9	0.89	0.56	0.41
3-272712G	1.20(30.5)	0.38(9.5)	3.30(84)	3.30(84)	0.37(170)	3.1	0.71	0.47	0.36
3-272714G	1.40(35.6)	0.38(9.5)	3.46(88)	3.46(88)	0.40(182)	2.8	0.59	0.40	0.32
3-272716G	1.60(40.6)	0.38(9.5)	3.63(92)	3.63(92)	0.43(194)	2.4	0.50	0.35	0.28
3-272718G	1.80(45.7)	0.38(9.5)	3.79(96)	3.79(96)	0.46(207)	2.1	0.43	0.31	0.25
3-272720G	2.00(50.8)	0.38(9.5)	3.95(100)	3.95(100)	0.48(219)	1.83	0.37	0.27	0.23
3-272722G	2.20(55.9)	0.38(9.5)	4.12(105)	4.12(105)	0.51(231)	1.58	0.33	0.24	0.21
3-272724G	2.40(61.0)	0.38(9.5)	4.28(109)	4.28(109)	0.54(243)	1.42	0.29	0.22	0.193
3-272725G	2.50(63.5)	0.38(9.5)	4.36(111)	4.36(111)	0.55(249)	1.34	0.27	0.21	0.185

Disclaimer: www.coolinnovations.com

*Air Speed in LFM (m/s)