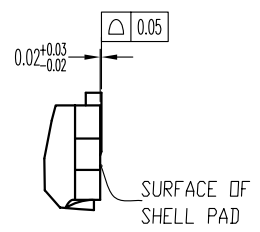
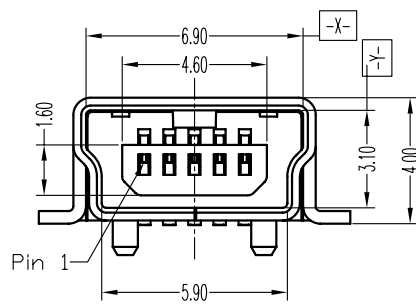
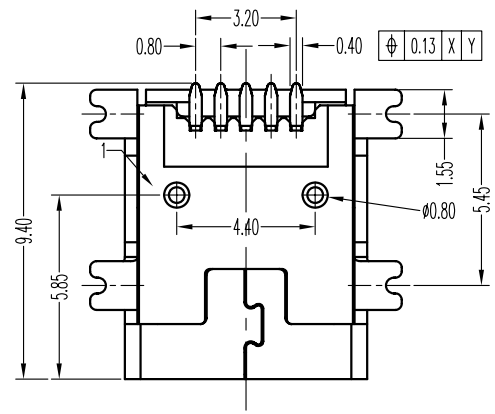
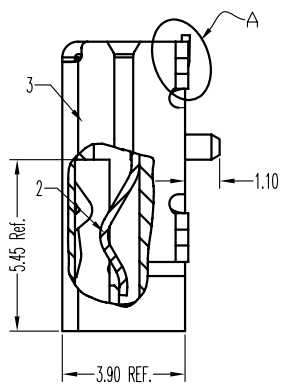
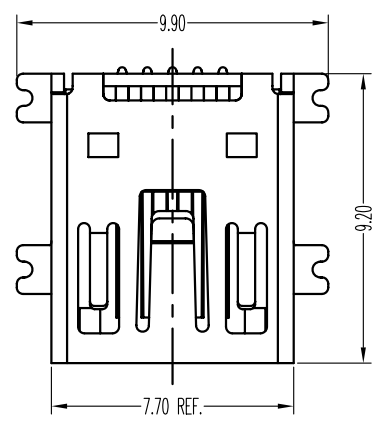
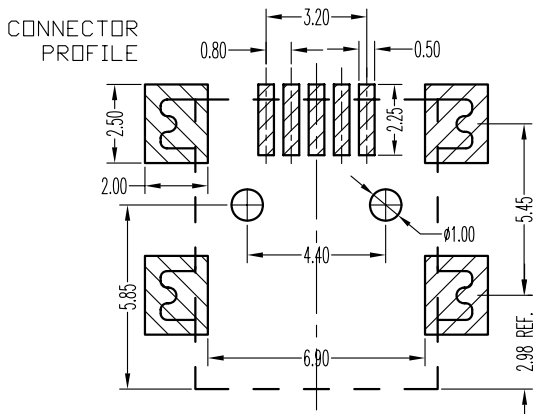


Specifications:
 Current Rating:1.0A AC/DC
 Voltage Rating:30V AC/DC
 Contact Resistance:20m ohm. max.
 Insulation Resistance:1,000M ohm. min.
 Withstanding Voltage:750V AC For One Minute
 Operating Temperature Range:-40°C to +105°C
 Material and Finish
 Insulator:High Temperature plastic.(UL94V-0)
 Contact:Copper Alloy
 Contact Plating:Contact area Gold Plated over
 50u"Nickel Plated and Solder tail 100u"
 Tin over 50u" Nickel Plateed
 Shell:Copper Alloy With Tin Plated
 Soldering Temp Profile:
 Wave Soldering Temp: 260°C,10Sec max
 Manual Soldering Temp:400°C,3Sec max
 How To Order
 5075BMR-05-SM

— SMD Type
 — No. Of Positions
 — Mini B Type



DETAIL A
 SCALE 2/1



Recommended PCB Layout

RoHS Compliant

F				DRAWN: Cel king
E				
D	28-Sep-2005	ECN-CN050915	Cel king	CHECKED: Jerry Chen
C	28-Jul-2005	ECN-CN050728	Cel king	
B	26-JAN-2005	ECN-CN050130	JOY	APPROVAL: Mike Wu
A	02-Aug-2004	(PC0001)	Jeremy Liu	
REV	DATE	FILE	BY	

GENERAL TOLERANCE: .X=±0.20 .XX=±0.15
UNIT: MM
SCALE:1:1
SHEET: 1 / 1
PROJECTION:

繼德工業股份有限公司
Neltron Industrial Co., Ltd.

DESCRIPTION: MINI USB 5S B TYPE	SIZE A4
PART NO: 5075BMR-05-SM	

A
B
C
D