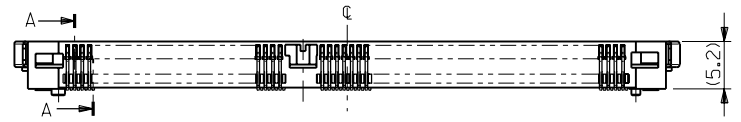
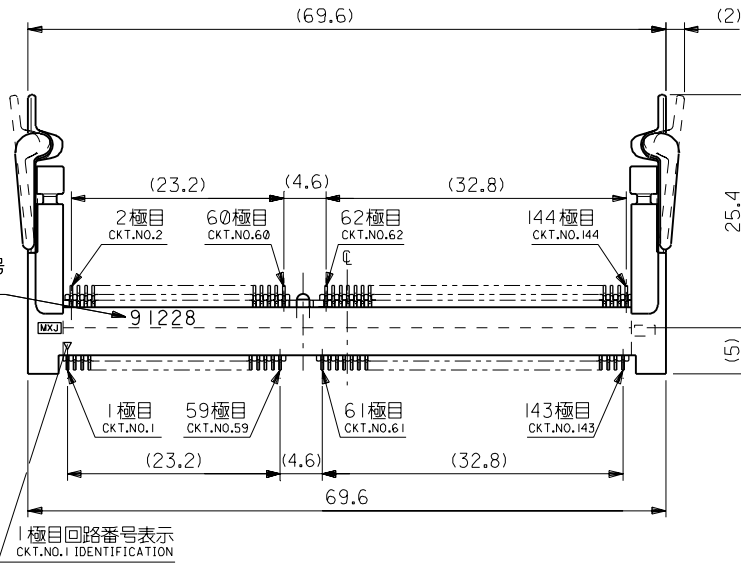


詳細 D
DETAIL D
(SCALE:5-1)

注記 1. 材料 ハウジング : ガラス入り耐熱樹脂、白色、UL94V-0
MATERIAL HOUSING : G.F.HEAT RESISTANT PLASTIC, WHITE, UL94V-0
ターミナル : 燐青銅
TERMINAL : PHOSPHOR BRONZE
ネイル : 黄銅
NAIL : BRASS

2. めっき仕様
PLATING
ロングターミナル
LONG TERMINAL
接点部 : 金めっき 0.25µmMIN.
CONTACT AREA : GOLD 0.25 µmMIN.
半田付け部 : 半田めっき 1.0µmMIN.
SOLDER TAIL AREA : TIN-LEAD 1.0µmMIN.
下地めっき : ニッケルめっき 2.0µmMIN.
UNDER-PLATING : NICKEL 2.0µmMIN.
ショートターミナル
SHORT TERMINAL
接点部 : 金めっき 0.25µmMIN.
CONTACT AREA : GOLD 0.25 µmMIN.
半田付け部 : 金めっき 0.3µmMAX.
SOLDER TAIL AREA : GOLD 0.3µmMAX.
下地めっき : ニッケルめっき 2.0µmMIN.
UNDER-PLATING : NICKEL 2.0µmMIN.
ネイル
NAIL
半田めっき : 2.0µmMIN.
TIN-LEAD : 2.0µmMIN.

3. テール平坦度は、0.1 MAX.とする。
TAIL COPLANARITY TO BE 0.1 MAX.
ネイル平坦度は、0.1 MAX.とする。
NAIL COPLANARITY TO BE 0.1 MAX.



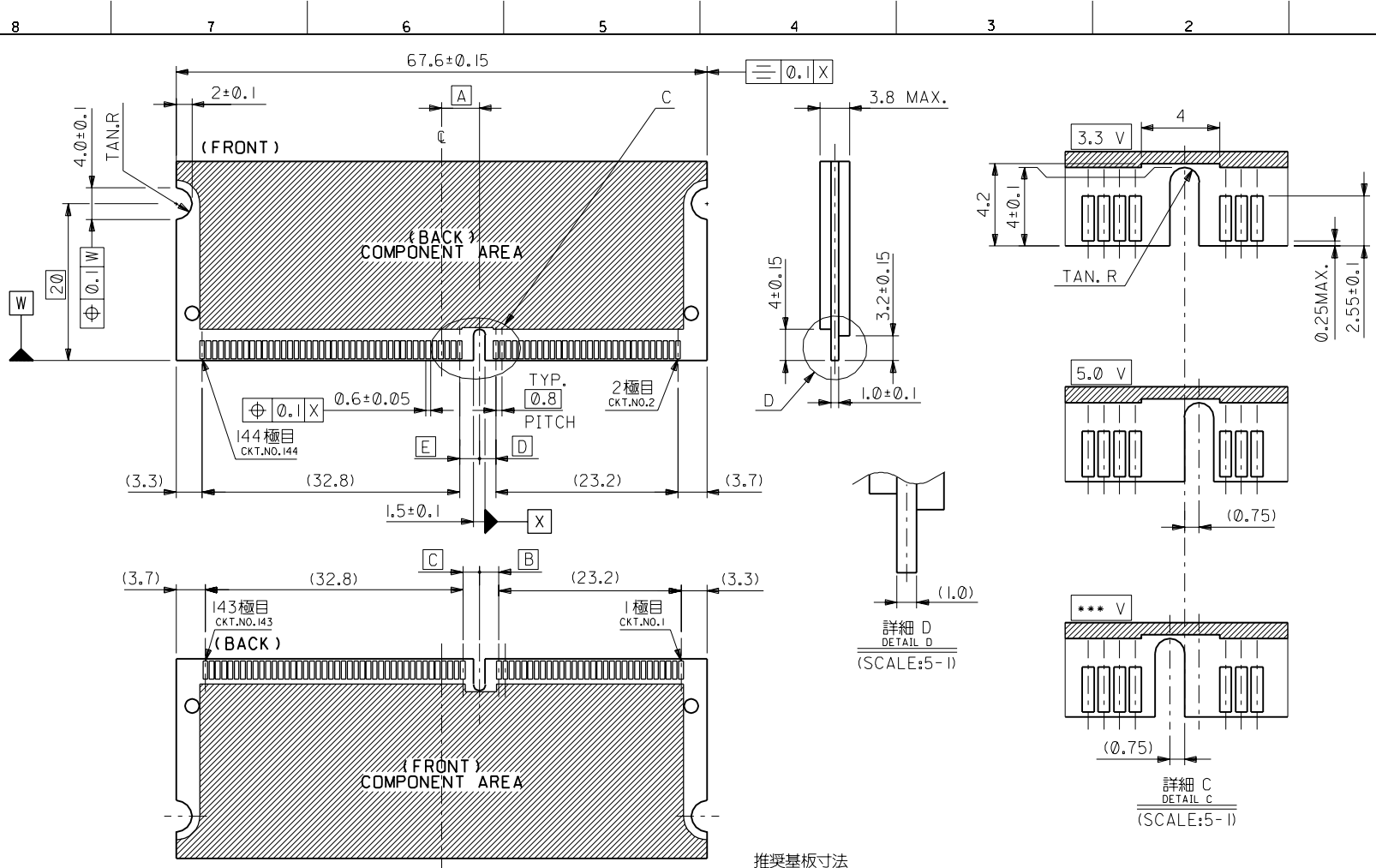
1.75	2.85	1.35	3.25	4.05	***V	ハードトレイ (高さ9) HARD TRAY(HIGHT 9)	54698-1448	
						ハードトレイ (高さ11) HARD TRAY(HIGHT 11)	54698-1445	
						標準トレイ NORMAL TRAY	54698-1442	
3.25	1.35	2.85	1.75	5.55	5.0V	ハードトレイ (高さ9) HARD TRAY(HIGHT 9)	54698-1447	
						ハードトレイ (高さ11) HARD TRAY(HIGHT 11)	54698-1444	54698-144*
						標準トレイ NORMAL TRAY	54698-1441	
2.5	2.1	2.1	2.5	4.8	3.3V	ハードトレイ (高さ9) HARD TRAY(HIGHT 9)	54698-1446	
						ハードトレイ (高さ11) HARD TRAY(HIGHT 11)	54698-1443	
						標準トレイ NORMAL TRAY	54698-1440	
E	D	C	B	A	POWER SUPPLY	褐色トレイ PACKAGING TRAY	MATERIAL NO.	MODEL NO.

EC NO. DRWN: CHK: APPR:	EC NO. DRWN: CHK: APPR:	REVISED EC NO. JD2000-0848 DRWN: T.KANEKO '08/22/11 CHK: Y.IITO '08/22/11 APPR: H.IKESUGI '08/22/11	REVISED EC NO. JD2000-0659 DRWN: T.KANEKO '09/12/28 CHK: Y.IITO '09/12/28 APPR: H.IKESUGI '09/12/28	RELEASED EC NO. DRWN: T.KANEKO '09/09/27 CHK: Y.IITO '09/09/27 APPR: H.IKESUGI '09/09/27	MATERIAL 材料 注記参照 SEE NOTES	FINISH 仕上げ 注記参照 SEE NOTES	WIRE RANGE 適用線径範囲	INS. RANGE 被覆外径
----------------------------------	----------------------------------	-----------------------------------------------------------------------------------------------------------------	-----------------------------------------------------------------------------------------------------------------	------------------------------------------------------------------------------------------------------	-------------------------------------	------------------------------------	----------------------	--------------------

GENERAL TOLERANCES: (UNLESS SPECIFIED) 一般公差	SCALE 2-1	DESIGN UNITS mm □ INCH	THIRD ANGLE PROJECTION	REVISIONS REVISE ON CAD ONLY
10 UNDER 未満	±0.2	DRAWN BY & DATE T. Kaneko '99/09/27	TITLE: 0.8mm PITCH S.O.DIMM SOCKET 144CKT. HEIGHT5.2mm	SHT REV
10 OVER 以上 30 UNDER 未満	±0.25	CHECKED BY & DATE M. Masuda '99/09/27	MATERIAL NO. 54698001.S01	SIZE B
30 OVER 以上	±0.3	APPROVED BY & DATE S. Ito '99/09/27	DRAWING NO. SD-54698-001	SHEET NO. 1 OF 3
ANGLE 角度	±3°	CAD FILE NAME 54698001.S01	SEE CHART	THIS DRAWING CONTAINS INFORMATION THAT IS PROPRIETARY TO MOLEX INCORPORATED AND SHOULD NOT BE USED WITHOUT WRITTEN PERMISSION.

EC NO. DRWN: CHK: APPR:	EC NO. DRWN: CHK: APPR:	REVISED EC NO. JD2000-0848 DRWN: T.KANEKO '08/22/11 CHK: Y.IITO '08/22/11 APPR: H.IKESUGI '08/22/11	REVISED EC NO. JD2000-0659 DRWN: T.KANEKO '09/12/28 CHK: Y.IITO '09/12/28 APPR: H.IKESUGI '09/12/28	RELEASED EC NO. DRWN: T.KANEKO '09/09/27 CHK: Y.IITO '09/09/27 APPR: H.IKESUGI '09/09/27	MATERIAL 材料 注記参照 SEE NOTES	FINISH 仕上げ 注記参照 SEE NOTES	WIRE RANGE 適用線径範囲	INS. RANGE 被覆外径
----------------------------------	----------------------------------	-----------------------------------------------------------------------------------------------------------------	-----------------------------------------------------------------------------------------------------------------	------------------------------------------------------------------------------------------------------	-------------------------------------	------------------------------------	----------------------	--------------------

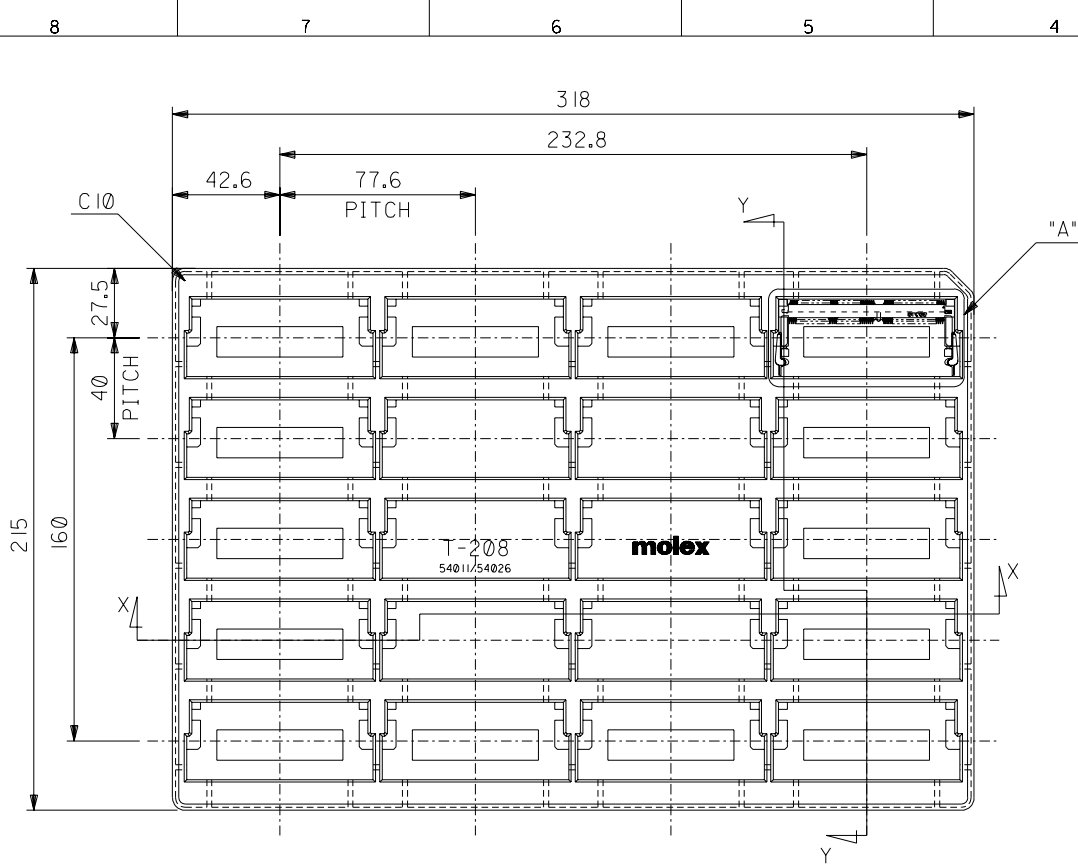
DWG. NO. SD-54698-001



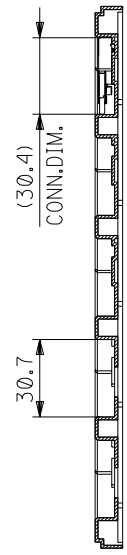
推奨基板寸法
RECOMMENDED MATING BOARD CONFIGURATION
(THK: 1.0 ± 0.1)

DO NOT SCALE DRAWING	EC NO. DRWN: CHK: APPR:	EC NO. DRWN: CHK: APPR:	EC NO. DRWN: CHK: APPR:	EC NO. DRWN: CHK: APPR:	EC NO. DRWN: CHK: APPR:	DESCRIPTION	MATERIAL 材料	GENERAL TOLERANCES: (UNLESS SPECIFIED) 一般公差	SCALE 2-1	DESIGN UNITS <input checked="" type="checkbox"/> mm <input type="checkbox"/> INCH	THIRD ANGLE PROJECTION	DIMENSIONS: <input type="checkbox"/> mm <input type="checkbox"/> INCH <input checked="" type="checkbox"/> mm ONLY	SHT REV
						注記参照 SEE NOTES			10 UNDER 未満	DRAWN BY & DATE <i>J. Kabeber</i> '99/09/27	TITLE: 0.8mm PITCH S.O.DIMM SOCKET 144CKT. HEIGHT5.2mm	REVISE ON CAD ONLY	
						注記参照 SEE NOTES			10 OVER 以上 30 UNDER 未満	CHECKED BY & DATE <i>J. Masuzumi</i> '99/09/27	APPROVED BY & DATE <i>J. Masuzumi</i> '99/09/27	MOLEX INCORPORATED	
						REV	WIRE RANGE 適用電線範囲			30 OVER 以上	CAD FILE NAME 54698001.S03	MATERIAL NO. SEE CHART	DRAWING NO. SD-54698-001
						INS. RANGE 被覆外径		ANGLE 角度					THIS DRAWING CONTAINS INFORMATION THAT IS PROPRIETARY TO MOLEX INCORPORATED AND SHOULD NOT BE USED WITHOUT WRITTEN PERMISSION.
													SIZE B

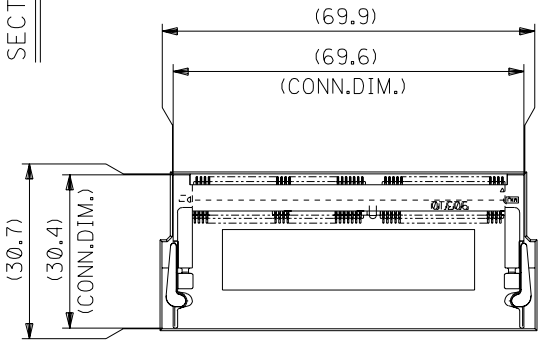
EN-02J(097) MXJ-54



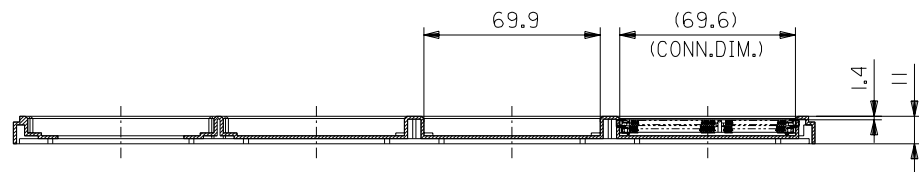
- 注記**
1. 一般公差: ±0.5
GENERAL TOLERANCES: ±0.5
 2. 各部の反りは2MAX.
WARP: 2MAX.
 3. 1トレイの梱包数: 20個
QUANTITY IN ONE TRAY: 20PCS.
 4. 標準梱包数: 300個
STANDARD PACKAGING QUANTITY: 300PCS.



SECT. Y-Y



DETAIL A
(SCALE 1-1)



SECT. X-X

54698-1445
54698-1444
54698-1443
通用製品番号 APPLICABLE PART No.

64NO. DRWN: CH'K: APPR: 63NO. DRWN: CH'K: APPR: 62NO. DRWN: CH'K: APPR: 61NO. DRWN: CH'K: APPR:	PROPOSED 60NO. J2003-1730 DRWN: Y.TOKUZONO 02/12/24 CH'K: T.HARUYAMA 02/12/24 APPR: M.ENOMOTO 02/12/24	MATERIAL 材料 ポリスチレン POLYSTYRENE (帯電防止剤入り) (ANTI-STATIC)	GENERAL TOLERANCES: (UNLESS SPECIFIED) 一般公差 10 UNDER 未滿 ±0.2 10 OVER 以上 30 UNDER 未滿 ±0.25 30 OVER 以上 ±0.3 ANGLE 角度 ±3°	SCALE 1-2 DESIGN UNITS <input checked="" type="checkbox"/> mm <input type="checkbox"/> INCH	DIMENSIONS: <input type="checkbox"/> mm <input type="checkbox"/> INCH <input checked="" type="checkbox"/> mm ONLY	SHT 1 OF 1 REV	
				DRAWN BY & DATE Y.TOKUZONO 02/12/24 CHECKED BY & DATE T.HARUYAMA 02/12/24 APPROVED BY & DATE M.ENOMOTO 02/12/24 CAD FILENAME SD-54698-002.S01	TITLE: HARD TRAY FOR 0.8mm PITCH S.O.DIMM HS'G ASS'Y 144CKT. MOLEX MOLEX INCORPORATED	MATERIAL NO. T-208	DRAWING NO. SD-54698-002
FINISH 仕上げ //				THIS DRAWING CONTAINS INFORMATION THAT IS PROPRIETARY TO MOLEX INCORPORATED AND SHOULD NOT BE USED WITHOUT WRITTEN PERMISSION.			
WIRE RANGE 適用電線範囲 //				SIZE B			
INS. RANGE 被覆外径 //				EN-02J(097) MXJ-54			