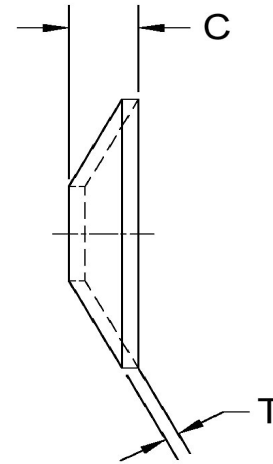
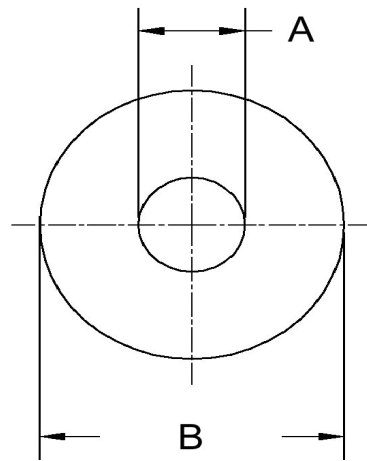


A+/-0.005	B+/-0.01	C+/-0.008	T+/-0.002	h (inches)	h/T Ratio	Load at Flat (LBS)†	Max Load (LBS)†	Max Deflection (IN.)†
0.195	0.369	0.039	0.020	0.019	0.950	213.160	66.250	0.004



†Calculated value, not tested, not guaranteed



SEASTROM MANUFACTURING CO., INC.
 456 SEASTROM STREET
 TWIN FALLS, IDAHO 83301
 (208) 737-4300 FAX (208) 734-7222

ALL INFORMATION
 COPYRIGHTED BY
 SEASTROM MFG. ©

PART NO.:	5808-187-20
PART NAME:	Washers, Spring, Belleville
MATERIAL:	Spring Steel
HEAT TREAT:	Please refer to Material & Finish Specifications in Engineering Resources
FINISH:	None

Dimensions in Inches