

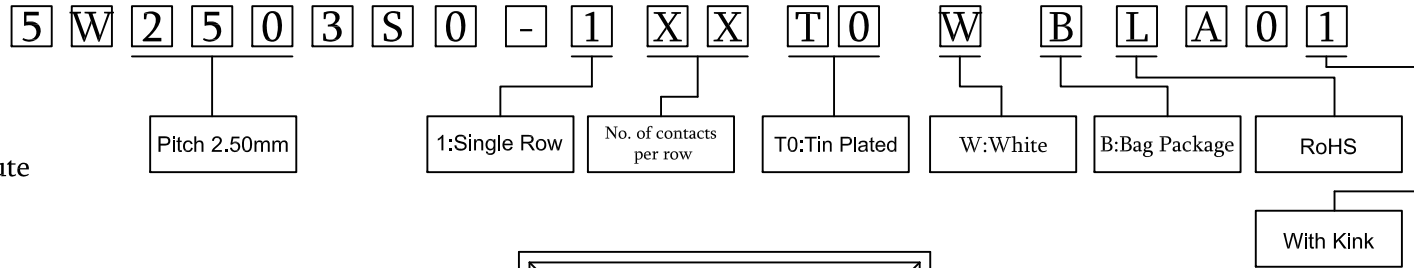
SPECIFICATIONS

Current Rating: 3A AC,DC
 Voltage Rating: 250V AC,DC
 Temperature Range: -25°C to +85°C
 Contact Resistance: 20mΩ Max.
 Insulation Resistance: 1000MΩ Min.
 Withstanding Voltage: 800V AC/minute

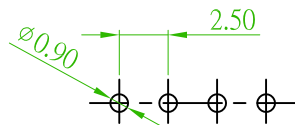
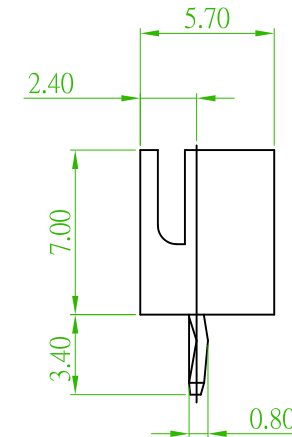
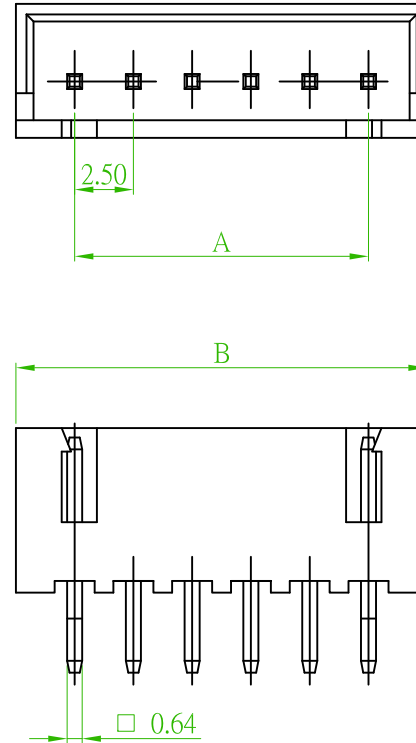
MATERIAL

Contact Pin: Brass/Tin-plated
 Insulator: Nylon 66,UL94V-0

ORDER INFORMATION



No. of contacts	Dimensions	
	A	B
02	2.50	7.50
03	5.00	10.00
04	7.50	12.50
05	10.00	15.00
06	12.50	17.50
07	15.00	20.00
08	17.50	22.50
09	20.00	25.00
10	22.50	27.50
11	25.00	30.00
12	27.50	32.50
13	30.00	35.00
14	32.50	37.50
15	35.00	40.00
16	37.50	42.50
17	40.00	45.00
18	42.50	47.50
19	45.00	50.00
20	47.50	52.50



Recommended PCB Layout
 (PCB TOLERANCE ±0.05)



Old Part No.:2503S-XXTW-L

REV.	ECN NO. OR DESCRIPTION	REVISED	DATE

 糧德精密有限公司 Amtek Technology Co., Ltd. TEL: 886-2-2260-6878 FAX: 886-2-2260-8030	品名 TITLE	2.5mm WAFER STRAIGHT			頁數 Page	1/1
	品號 PART NO.	5W2503S0-1XXT0WBLA01			繪圖 DRAWN	Roy
	圖號 DRAWING NO.	版本 REV.	A	核對 CHECKED	Boris	
	客戶品號 CUSTOMER P/N	比例 SCALE	None	承認 APPROVED	Boris	
	公差 TOLERANCE	.X ± 0.25 .XX ± 0.20	單位 UNIT	mm	THIRD ANGLE PROJECTION	