

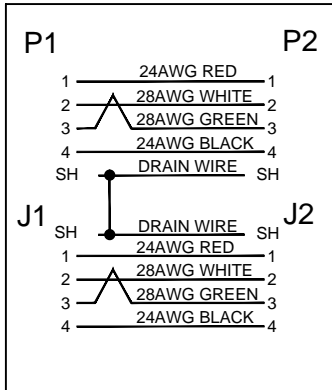
4

3

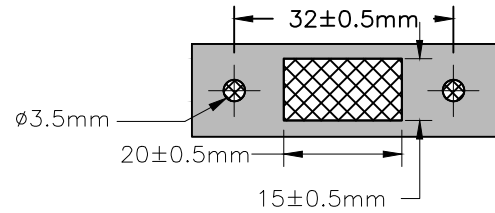
2

1

WIRING SCHEMATIC



RECOMMENDED PANEL CUTOUT



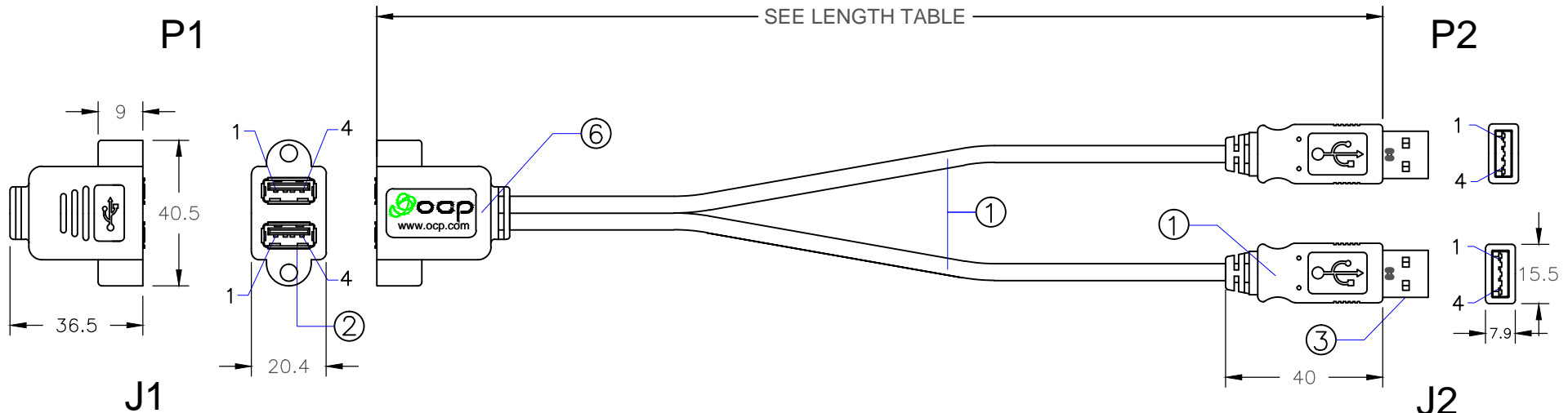
THIS PRODUCT CONTAINS PROPRIETARY INFORMATION OF OCP GROUP, INC. AND IS SUBJECT TO THE CONDITIONS THAT THE INFORMATION: (A) BE RETAINED IN CONFIDENCE. (B) NOT BE REPRODUCED OR COPIED IN WHOLE OR IN PART. (C) NOT BE USED INCORPORATED IN ANY PRODUCT EXCEPT ON AN EXPRESS WRITTEN AGREEMENT WITH OCP GROUP, INC.

REVISIONS

DATE	REV	AREA	DESCRIPTION	APP'D
09/11	A	-	INITIAL RELEASE	CJG

LENGTH TABLE

PART NO.	LENGTH
62-00187-01	1FT±0.5INCH
62-00187-02	2FT±1.0INCH
62-00187-03	3FT±1.0INCH
62-00187-04	4FT±1.5INCH
62-00187-06	6FT±2.0INCH



7		
6	PVC 90 SHORE A MOLDING	A/R
5	#4-40 SCREW COME SEPARATE, IN A POLYBAG	2
4	#4-40 NUT (BRASS)	2
3	USB A TYPE MALE	2
2	USB A TYPE FEMALE	2
1	UL2725, 28AWG*1P+24AWG*2C, AL/FOIL AND BRAID SHIELDING, JACKET PVC BLACK	A/R

ITEM	DESCRIPTION/REMARKS	QTY
------	---------------------	-----

UNLESS OTHERWISE SPECIFIED

CABLE TOLERANCE

LENGTH +/- 3%

CONNECTOR TOLERANCE

.XXX± LINEAR

.XX± LINEAR



SCALE: FREE DATE: 09/29/11
UNITS: MM CHK'D: CJG
DRAWN BY: DLG APP'D: CJG

TITLE:

USB A DUAL PORT
PANEL MOUNT EXT.

OCP PART NO.: 62-00187-XX

CUSTOMER: TBD

SIZE	DRAWING NUMBER:	REV	SHEET
A	62-00187-XX	A	1/1

4

3

2

1