

Specifications

Current Rate:1 AMP
 Insulation Resistance:10MΩ Min
 Contact Resistance:100mΩ Max.
 Dielectric voltage:50V AC for one minute
 Operation Temperature:-30°C to +70°C

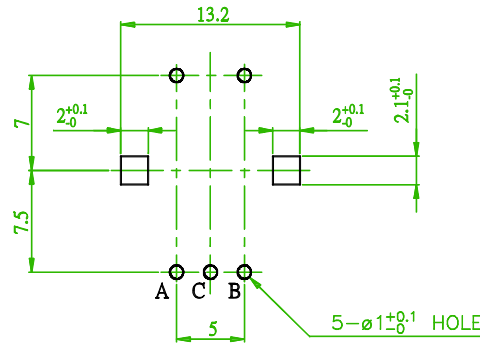
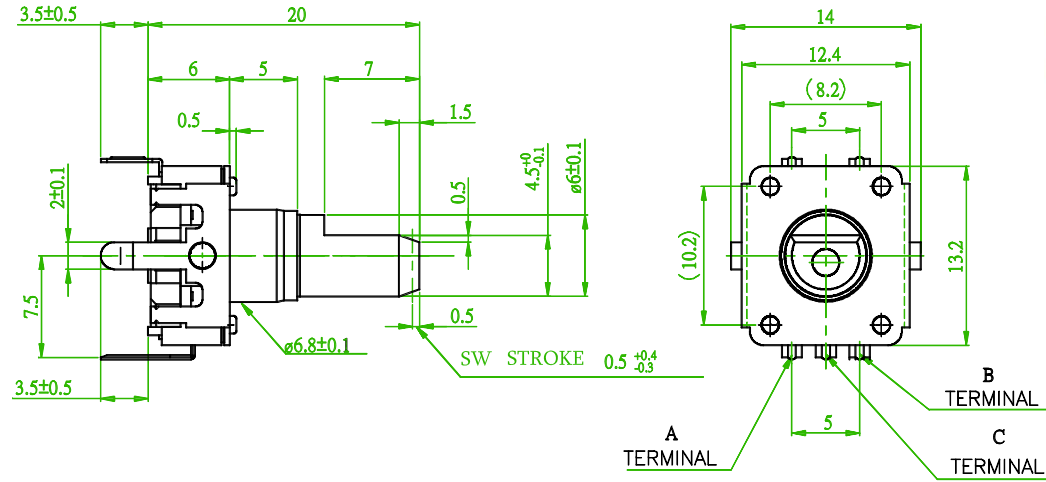
Material

Insulator:High Temperature Thermoplastic(UL94V-0)
 Terminal:Copper Alloy



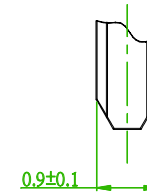
Output signal format

CONDITIONS		SPECIFICATION				
<p><Fig. 1>(C.C.W)</p>		2 phase-different output signals (signal A and B). Details are shown in <Fig. 1>. (The broken line shows detent position of encoders with detent type)				
Shaft rotational direction	Signal	Output				
C.W.	A (Terminal A-C)	<table border="1"> <tr><td>OFF</td><td></td></tr> <tr><td>ON</td><td></td></tr> </table>	OFF		ON	
	OFF					
ON						
B (Terminal B-C)	<table border="1"> <tr><td>OFF</td><td></td></tr> <tr><td>ON</td><td></td></tr> </table>	OFF		ON		
OFF						
ON						
C.C.W.	A (Terminal A-C)	<table border="1"> <tr><td>OFF</td><td></td></tr> <tr><td>ON</td><td></td></tr> </table>	OFF		ON	
	OFF					
ON						
B (Terminal B-C)	<table border="1"> <tr><td>OFF</td><td></td></tr> <tr><td>ON</td><td></td></tr> </table>	OFF		ON		
OFF						
ON						



P.C.B. t=1.6mm

DETAIL OF TERMINALS (10 : 1)



REV.	ECN NO. OR DESCRIPTION	REVISED	DATE

<p>糧德精密有限公司 Amtek Technology Co., Ltd. TEL: 886-2-2260-6878 FAX: 886-2-2260-8030</p>	品名 TITLE	12mm Size Rotary Incremental Encoders			頁數 Page	1/1
	品號 PART NO.	63AMT-190100			繪圖 DRAWN	Benson 2019/08/16
	圖號 DRAWING NO.	GW173-BS216	版本 REV.	A	核對 CHECKED	Josh 2019/08/16
	客戶品號 CUSTOMER P/N		比例 SCALE	None	承認 APPROVED	Josh 2019/08/16
	公差 TOLERANCE		單位 UNIT	mm	THIRD ANGLE PROJECTION	