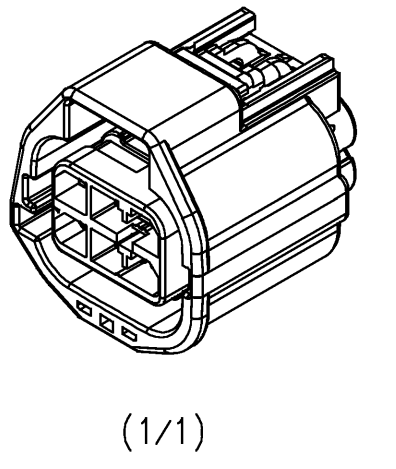
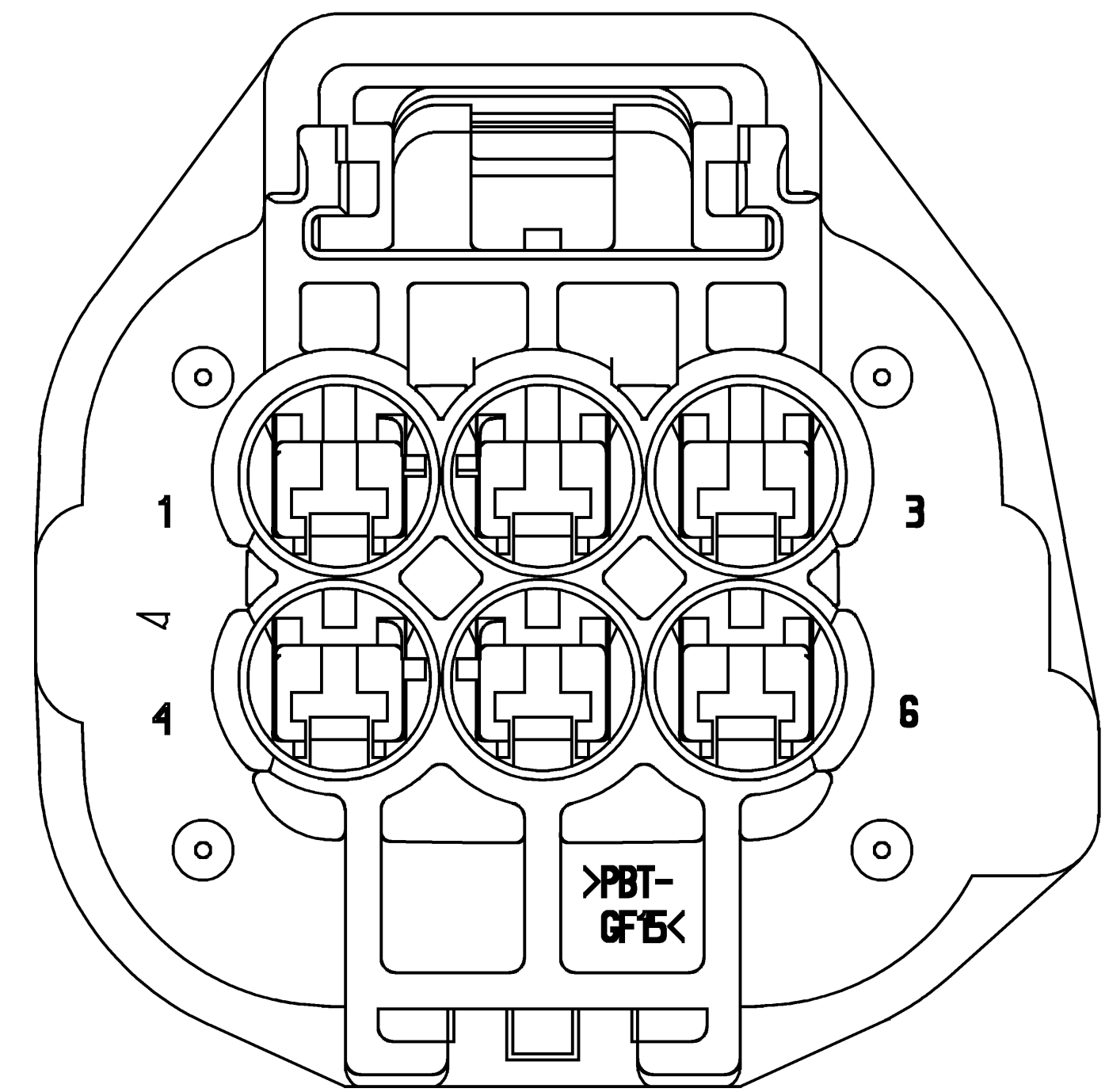
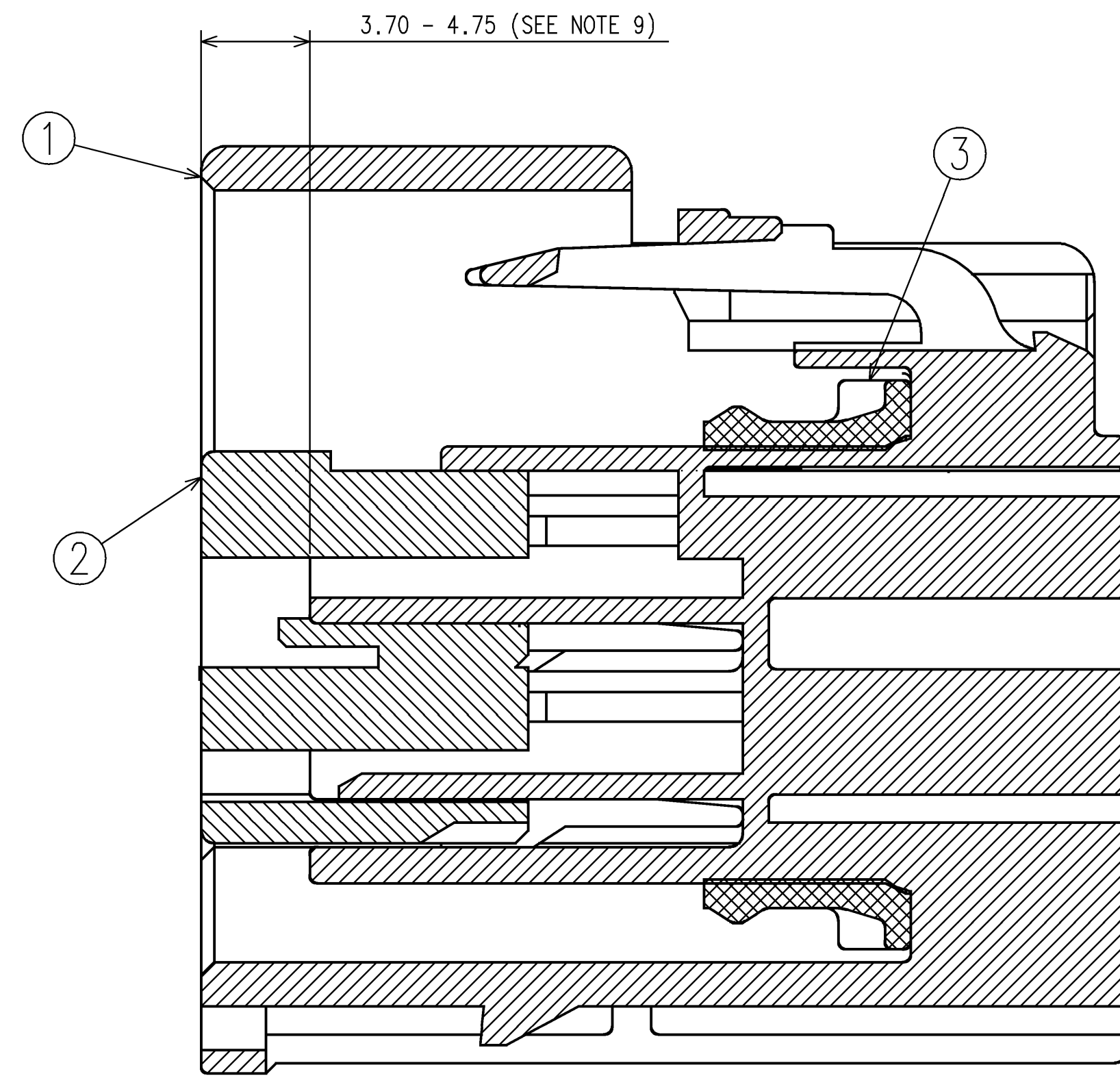
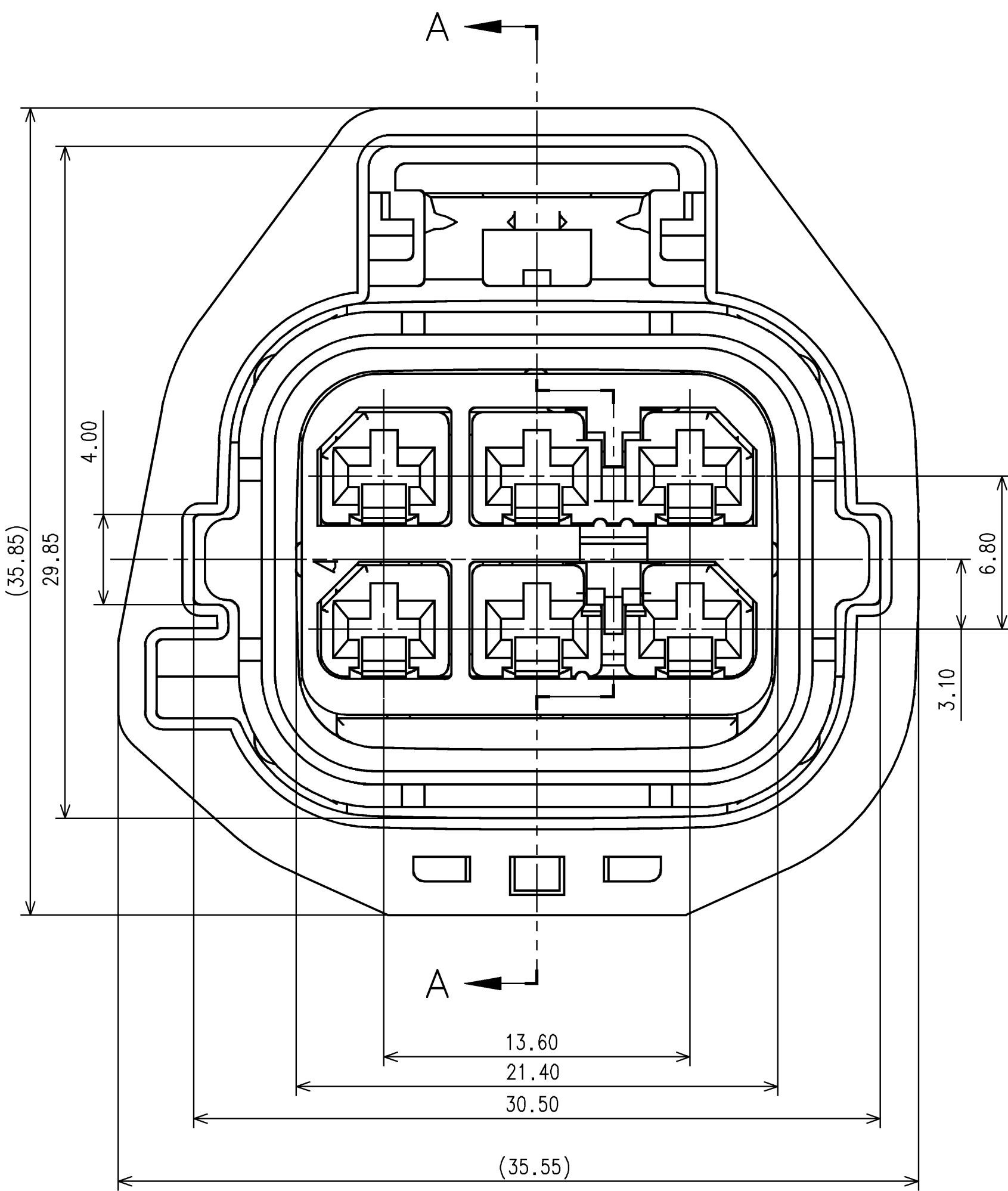


SUB ASSEMBLY PART NUMBER	NO.	PART NUMBER	PART NAME	MATERIAL	COLOR	QUANTITY
7287-9266-10	①	7187-9266-10	6P 2.8mm YESC SEALED FEMALE HOUSING	PBT+GF	DARK GRAY	1
	②	7158-4203	6P 2.8mm YESC SEALED FEMALE FRONT HOLDER	HPA	NATURAL	1
	③	7137-2753-90	6P 2.8mm YESC SEALED FEMALE INTERFACE SEAL	SILICONE	BLUE	1
7287-9814-10	①	7187-9266-10	6P 2.8mm YESC SEALED FEMALE HOUSING	PBT+GF	DARK GRAY	1
	②	7158-4203	6P 2.8mm YESC SEALED FEMALE FRONT HOLDER	HPA	NATURAL	1
	③	7137-2753-90	6P 2.8mm YESC SEALED FEMALE INTERFACE SEAL	SILICONE	BLUE	1
	④	7158-7080-50	YESC SEALED CPA	HPA	RED	1



- NOTES:
- PARTS MUST BE PURCHASED FROM YAZAKI.
 - PARTS MUST BE FREE OF FLASH AND IMPERFECTIONS THAT AFFECT FUNCTION.
 - APPLICABLE TERMINAL: SEE 7116-4150-02:R DRAWING. (YESC 2.8)
 - APPLICABLE WIRE SEAL: SEE 7158-3111-60:R DRAWING. (WIRE O.D. 1.2-1.9mm)
7158-3112-70:R DRAWING. (WIRE O.D. 1.8-2.1mm)
7158-3113-40:R DRAWING. (WIRE O.D. 2.1-3.0mm)
7158-3110-40:R DRAWING. (WIRE O.D. 3.1-3.4mm)
 - APPLICABLE CAVITY PLUG: SEE 7158-3114-90:R DRAWING.
 - MATING PART NUMBER: 7282-5577-10
 - PART DESIGNED TO SATISFY USCAR-2 REV. 5, NOV. 2007, TEMP CLASS 3.
 - PART TO COMPLY WITH YPES-31-038 REQUIREMENTS.
 - THIS DIMENSION SHOWS THE PRE-SET POSITION OF THE TPA.
 - THIS DIMENSION SHOWS THE PRE-SET POSITION OF THE CPA.
 - THIS DRAWING IS TO BE USED FOR INTERNAL YAZAKI PSW SUBMISSION.



SECTION A-A

GENERAL TOLERANCE												
	10 MAX	50 MAX	100 MAX	250 MAX	250 OVR	R5 MAX	R10 MAX	R20 MAX	R20 OVR	ANGLE	ECCENT	
A	±0.15	±0.2	±0.3	±0.5	±0.75					±3°	0.1	
B	±0.2	±0.3	±0.55	±0.95	±1.4					±3°	0.1	
Ⓢ	±0.3	±0.5	±0.8	±1.4	±2.0					±3°	0.15	
	SPECIFIED										MASS	g

CUSTOMER	CUSTOMER PART NO.	CUSTOMER DWG NO.	MATL. SPEC.	SEE TABLE	TREAT. & FIN.
OFFICE		TRIAL PART NO.	NAME	6P 2.8mm YESC SEALED FEMALE	
VENDOR			CONNECTOR SUB-ASSEMBLY		
VENDOR NO.			PART NO.	7287-9266-10 ETC.	
DWG TYPE	DWG SOURCE	DWG DATE	UNIT	SCL	ANGLE
R	7287-9266-10:MA	09-03-2013	mm	5/1	3
APPROVED	CHECKED	CHECKED	DESIGN	DRAWN	
			CHAD PARDO	HECTOR COLMENERO	
			06-22-2012	09-03-2013	
			YAZAKI CORPORATION		

09-03-2013	NEW	C13-A394	HC
LET	DATE	REVISION RECORD	NO. CHKD

ISSUE MARK