

# INTERCONNECT PINS: .025" (.63MM) SQUARE APPLICATIONS .100" (2.54MM) CENTERS

25

## SOLID PRESS-FIT PINS

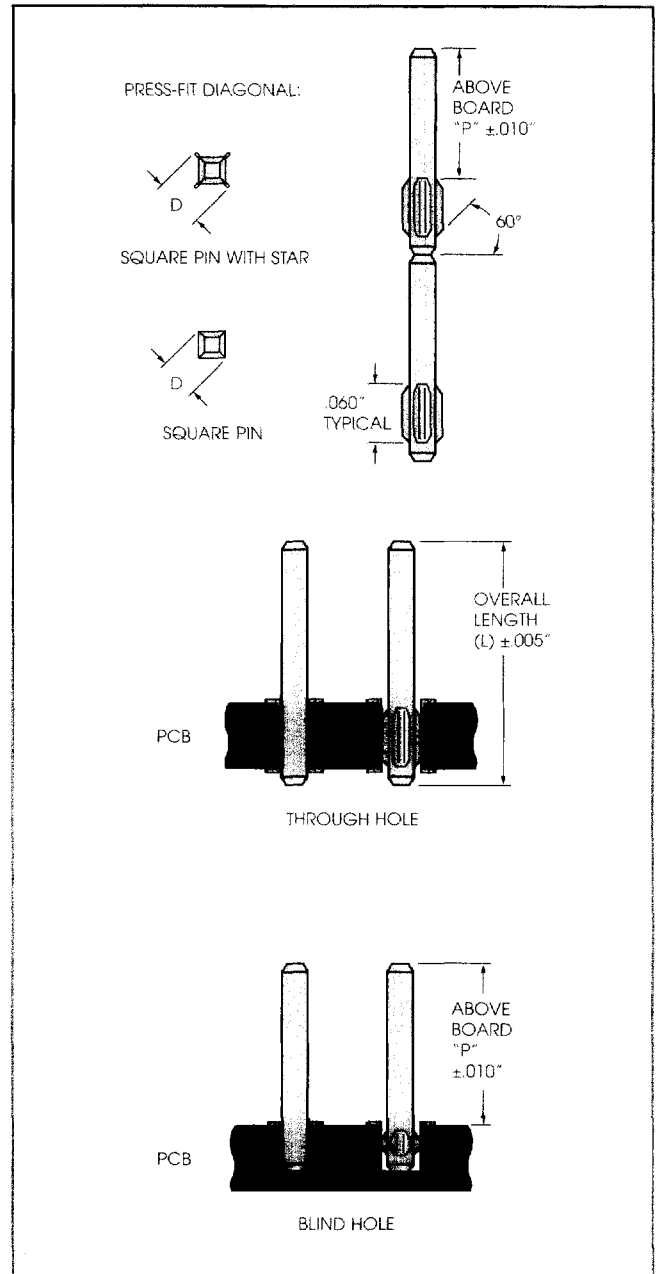
### Standard Uses

- Board to board interconnects.
- Cable to board interconnects.
- Jumper shunt posts.
- Test posts.
- Wire wrap posts.
- Header replacement.

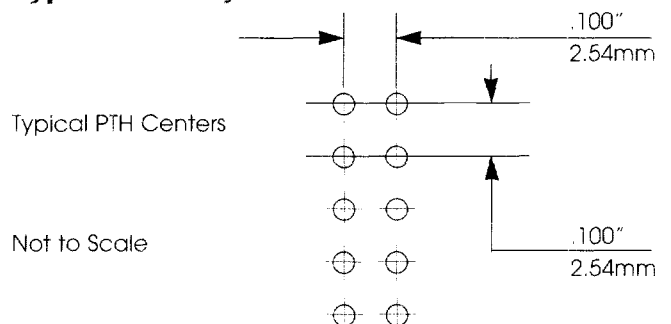
| PART NUMBER   | "L"    | "P"   | "D"   | PLATING  | FINISHED HOLE SIZE |
|---------------|--------|-------|-------|----------|--------------------|
| 8-251F2000    | .200"  | N/A   | .033" | Tin/Lead | .029" ±.002"       |
| 8-251F2500    | .250"  | N/A   | .033" | Tin/Lead | .029" ±.002"       |
| 8-251F3000    | .300"  | N/A   | .033" | Tin/Lead | .029" ±.002"       |
| 8-251F3500    | .350"  | N/A   | .033" | Tin/Lead | .029" ±.002"       |
| 8-251F4000    | .400"  | N/A   | .033" | Tin/Lead | .029" ±.002"       |
| 8-251F5000    | .500"  | N/A   | .033" | Tin/Lead | .029" ±.002"       |
| 8-251F6000    | .600"  | N/A   | .033" | Tin/Lead | .029" ±.002"       |
| 8-251F7500    | .750"  | N/A   | .033" | Tin/Lead | .029" ±.002"       |
| 8-251F8500    | .850"  | N/A   | .033" | Tin/Lead | .029" ±.002"       |
| 8-251F1.00/00 | 1.000" | N/A   | .033" | Tin/Lead | .029" ±.002"       |
| 8-253F3020    | .300"  | .200" | .042" | Tin/Lead | .037" ±.002"       |
| 8-253F3424    | .340"  | .240" | .042" | Tin/Lead | .037" ±.002"       |
| 8-253G3424    | .340"  | .240" | .042" | Gold     | .037" ±.002"       |
| 8-253F4232    | .420"  | .320" | .042" | Tin/Lead | .037" ±.002"       |
| 8-253G4232    | .420"  | .320" | .042" | Gold     | .037" ±.002"       |
| 8-253F5040    | .500"  | .400" | .042" | Tin/Lead | .037" ±.002"       |
| 8-253G5040    | .500"  | .400" | .042" | Gold     | .037" ±.002"       |
| 8-253F7565    | .750"  | .650" | .042" | Tin/Lead | .037" ±.002"       |
| 8-253F8575    | .850"  | .750" | .042" | Tin/Lead | .037" ±.002"       |

### Features and Benefits

- Machine insertable replacement to pin headers.
- Through hole and SMT process compatible.
- Available in:
  1. Solid press-fit - this page.
  2. Conforming fit - see page 26.
  3. Compliant fit - see page 26.
- Custom design features.



### Typical PCB Layout



For additional pins see: "Interconnect Pins: User Defined Products", page 16.