

RM642-252-812-9601

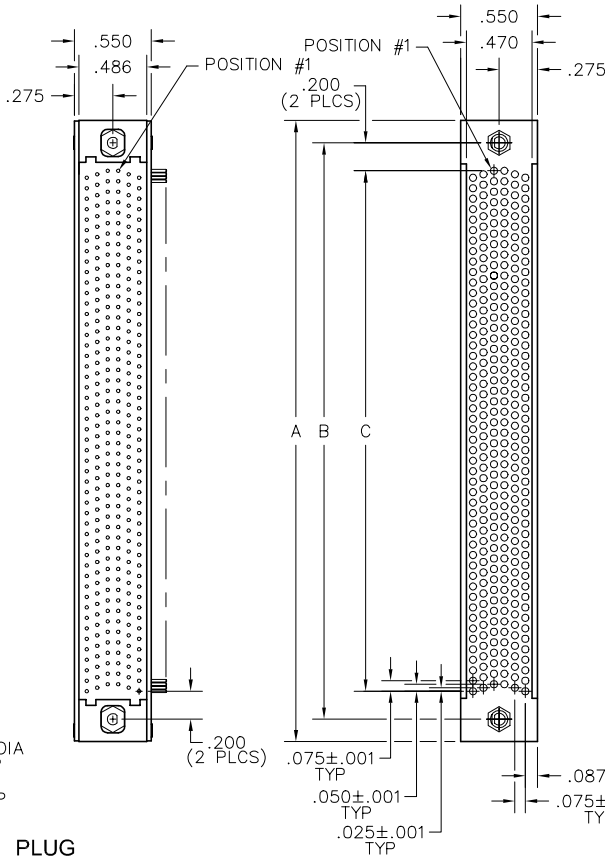
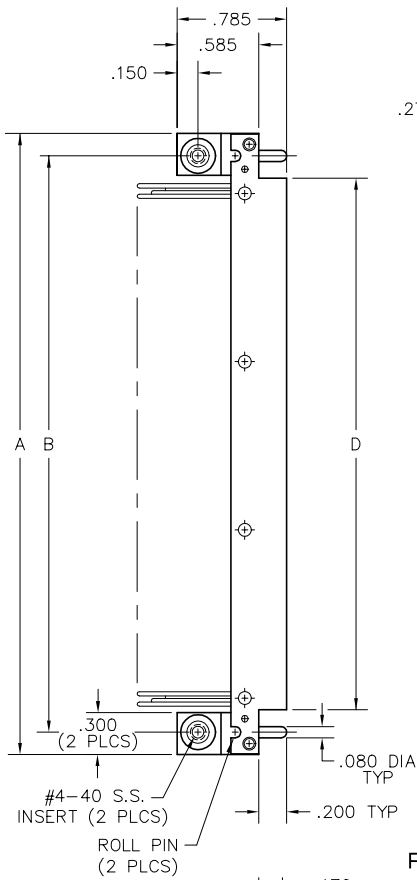
# 6 • ROW

## Daughterboard to Motherboard or Chassis

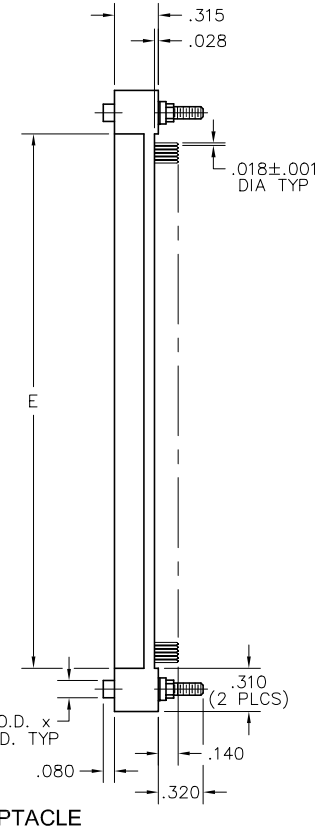
.075"

**RM6**

162 thru 402 Contacts



PLUG



RECEPTACLE

DIMENSIONS					
SIZE	A	B	C	D	E
162	2.720	2.400	2.000	2.080	2.100
204	3.245	2.925	2.525	2.605	2.625
252	3.845	3.525	3.125	3.205	3.225
300	4.445	4.125	3.725	3.805	3.825
360	5.195	4.875	4.475	4.550	4.575
402	5.720	5.400	5.000	5.080	5.100

**PLUG:** RM672-252-312-9501  
**RECEPTACLE:** RM642-252-812-9601  
 XXXXX-XXX-XXX-XXXX

<b>PLUG</b>		<b>RECEPTACLE</b>	
<b>SERIES</b>			
RM .075" Screw Machine PC Connector		RM .075" Screw Machine PC Connector	
<b>BODY</b>			
6	6-Row	6	6-Row
<b>BODY STYLE:</b>		<b>BODY STYLE:</b>	
7	Plug, right angle, with mounting ears	4	Receptacle, straight, without mounting ears
<b>BODY MATERIAL:</b>		<b>BODY MATERIAL:</b>	
2	Polyphenylene sulfide (PPS)	2	Polyphenylene sulfide (PPS)
<b>SIZE</b>			
162, 204, 252, 300, 360, 402		162, 204, 252, 300, 360, 402	
<b>CONTACTS</b>			
<b>TYPE CONTACTS/TERMINATIONS:</b>		<b>TYPE CONTACTS/TERMINATIONS:</b>	
31	Pin, right angle, dip solder, .109" x .019" dia	76	Socket, straight, solder cup
32	Pin, right angle, dip solder, .140" x .019" dia	77	Socket, straight, flex, .093" x .017" dia
33	Pin, right angle, dip solder, .172" x .019" dia	81	Socket, straight, dip solder, .109" x .018" dia
		82	Socket, straight, dip solder, .140" x .018" dia
		83	Socket, straight, dip solder, .172" x .018" dia
		87	Socket, straight, press-fit, .188" (Board: .093" - .125" thk)
		88	Socket, straight, press-fit, .308" (Board: .156" - .200" thk)
		89	Socket, straight, press-fit, .388" (Board: .250"+ thk)
<b>PLATING OPTIONS:</b>		<b>PLATING OPTIONS:</b>	
1	Gold plated termination	1	Gold plated termination
2	Pre-tinned termination	2	Pre-tinned termination (except solder cup or flex)
<b>HARDWARE</b>			
<b>STYLE OF HARDWARE:</b>		<b>STYLE OF HARDWARE:</b>	
0256	None	0256	None
93	Fixed jackset, #4-40 thread	92	Hex turning jackset, #4-40 thread
95	Guide pins, polarized, unassembled	93	Fixed jackset, #4-40 thread
9501 - 9536	Guide pins, polarized, installed	96	Guide sockets, polarized, unassembled, #2-56 x .320" thread
99	Guide pins, universal	9601 - 9636	Guide sockets, polarized, installed
		97	Guide sockets, polarized, unassembled, #2-56 x .247" thread
		9701 - 9736	Guide sockets, polarized, installed
		98	Guide sockets, universal, #2-56 x .247" thread
<b>POLARIZATION:</b>		<b>POLARIZATION:</b>	
00	None	00	None
01	thru 36 are special identifiers, see page R-57	01	thru 36 are special identifiers, see page R-57

# 6 • ROW

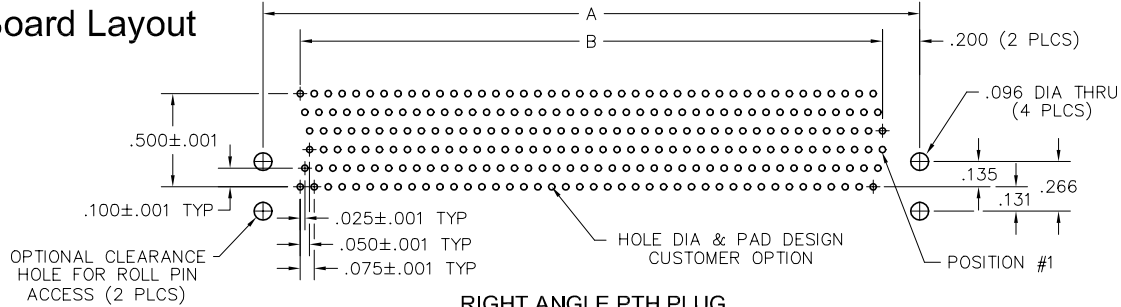
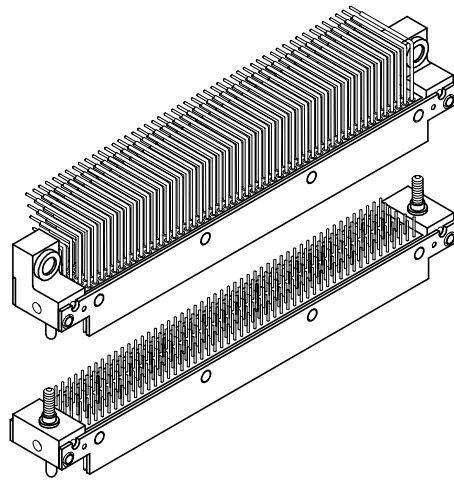
## Right Angle PTH Plug Straight PTH Plug

.075"

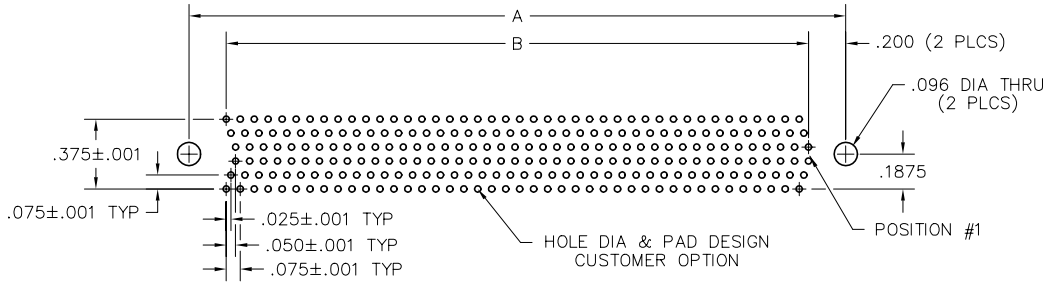
**RM6**

162 thru 402 Contacts  
Recommended  
Board Layout

DIMENSIONS		
SIZE	A	B
162	2.400	2.000
204	2.925	2.525
252	3.525	3.125
300	4.125	3.725
360	4.875	4.475
402	5.400	5.000

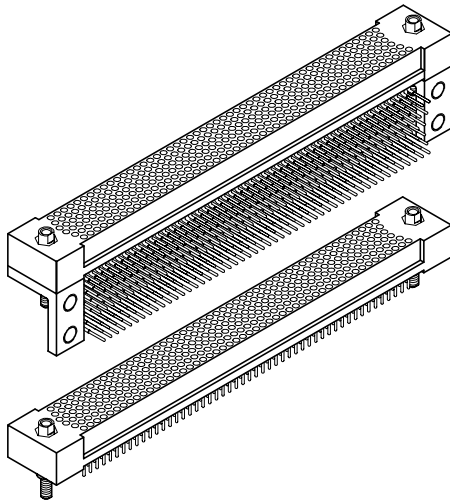


**RIGHT ANGLE PTH PLUG**  
PC BOARD VIEWED FROM COMPONENT SIDE



**STRAIGHT PTH PLUG**  
PC BOARD VIEWED FROM COMPONENT SIDE

SIZE	CONTACT ID	SIZE	CONTACT ID
162	(162)(159)(156)	300	(300)(297)(294)
	(161)(158)(155)		(159)(156)(153)
	(160)(157)(154)		(299)(296)(293)
	(79)(76)(73)		(298)(295)(292)
	(80)(77)(74)		(148)(145)(142)
	(81)(78)(75)		(149)(146)(143)
	(90)(87)(84)		(150)(147)(144)
	(89)(86)(83)		(8)(5)(2)
	(88)(85)(82)		(9)(6)(3)
	(7)(4)(1)		
	(8)(5)(2)		
	(9)(6)(3)		
204	(204)(201)(198)	360	(360)(357)(354)
	(203)(200)(197)		(189)(186)(183)
	(202)(199)(196)		(359)(356)(353)
	(100)(97)(94)		(188)(185)(182)
	(101)(98)(95)		(358)(355)(352)
	(102)(99)(96)		(178)(175)(172)
	(111)(108)(105)		(179)(176)(173)
	(110)(107)(104)		(180)(177)(174)
	(109)(106)(103)		(8)(5)(2)
	(7)(4)(1)		(9)(6)(3)
	(8)(5)(2)		
	(9)(6)(3)		
252	(252)(249)(246)	402	(402)(399)(396)
	(251)(248)(245)		(210)(207)(204)
	(250)(247)(244)		(401)(398)(395)
	(124)(121)(118)		(209)(206)(203)
	(125)(122)(119)		(400)(397)(394)
	(126)(123)(120)		(199)(196)(193)
	(135)(132)(129)		(200)(197)(194)
	(134)(131)(128)		(201)(198)(195)
	(133)(130)(127)		(7)(4)(1)
	(7)(4)(1)		(8)(5)(2)
	(8)(5)(2)		(9)(6)(3)
	(9)(6)(3)		



DIMENSIONS		
SIZE	A	B
162	2.400	2.000
204	2.925	2.525
252	3.525	3.125
300	4.125	3.725
360	4.875	4.475
402	5.400	5.000

# 6 ROW

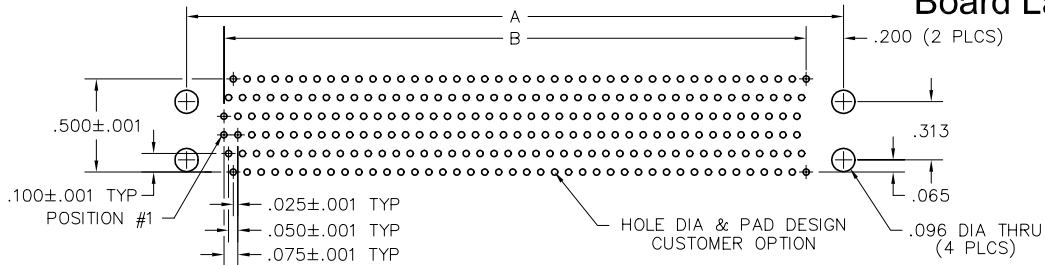
## Right Angle PTH Rcpt

## Straight PTH Rcpt

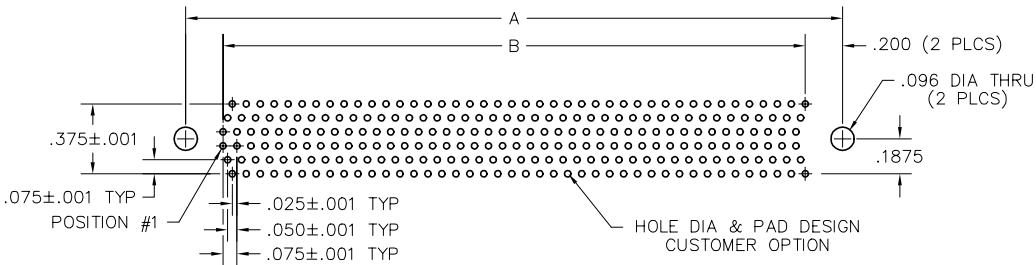
.075"

**RM6**

162 thru 402 Contacts  
Recommended  
Board Layout



**RIGHT ANGLE PTH RECEPTACLE**  
PC BOARD VIEWED FROM COMPONENT SIDE



**STRAIGHT PTH RECEPTACLE**  
PC BOARD VIEWED FROM COMPONENT SIDE

SIZE	CONTACT ID	SIZE	CONTACT ID
162	(84) (87) (90)	300	(153) (156) (159)
	(83) (86) (89)		(294) (297) (300)
	(82) (85) (88)		(152) (155) (158)
	(1) (4) (7)		(293) (296) (299)
	(2) (5) (8)		(151) (154) (157)
	(3) (6) (9)		(292) (295) (298)
	(156) (159) (162)		(142) (145) (148)
	(155) (158) (161)		(143) (146) (149)
	(154) (157) (160)		(144) (147) (150)
	(73) (76) (79)		
	(74) (77) (80)		
	(75) (78) (81)		
204	(105) (108) (111)	360	(183) (186) (189)
	(104) (107) (110)		(354) (357) (360)
	(103) (106) (109)		(182) (185) (188)
	(1) (4) (7)		(353) (356) (359)
	(2) (5) (8)		(181) (184) (187)
	(3) (6) (9)		(352) (355) (358)
	(198) (201) (204)		(172) (175) (178)
	(197) (200) (203)		(173) (176) (179)
	(196) (199) (202)		(174) (177) (180)
	(94) (97) (100)		
	(95) (98) (101)		
	(96) (99) (102)		
252	(129) (132) (135)	402	(204) (207) (210)
	(128) (131) (134)		(396) (399) (402)
	(127) (130) (133)		(203) (206) (209)
	(1) (4) (7)		(395) (398) (401)
	(2) (5) (8)		(202) (205) (208)
	(3) (6) (9)		(394) (397) (400)
	(246) (249) (252)		(193) (196) (199)
	(245) (248) (251)		(194) (197) (200)
	(244) (247) (250)		(195) (198) (201)
	(118) (121) (124)		
	(119) (122) (125)		
	(120) (123) (126)		