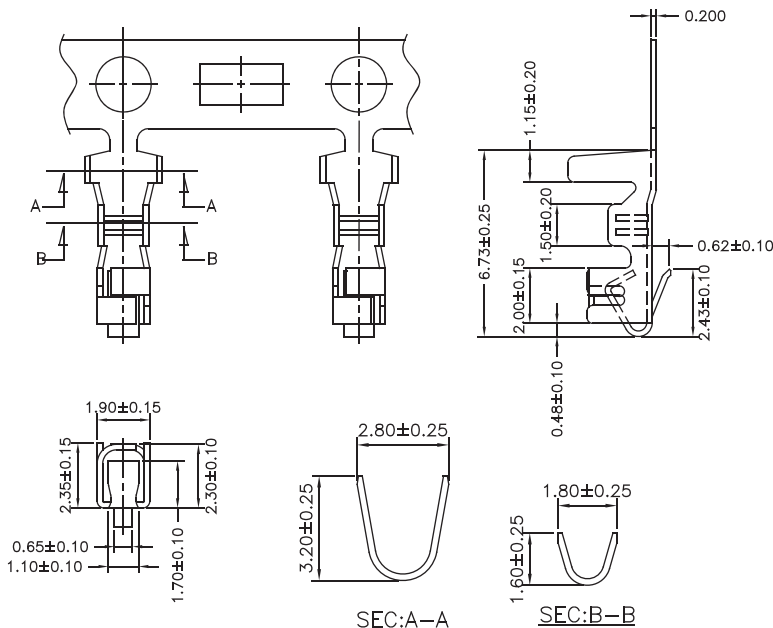


2.5mm Terminal / Housing

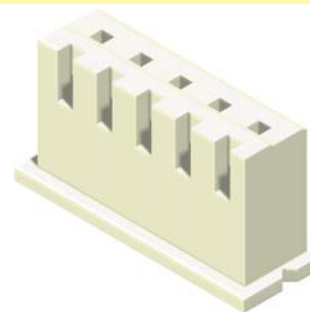


Part No.:2503-T-L

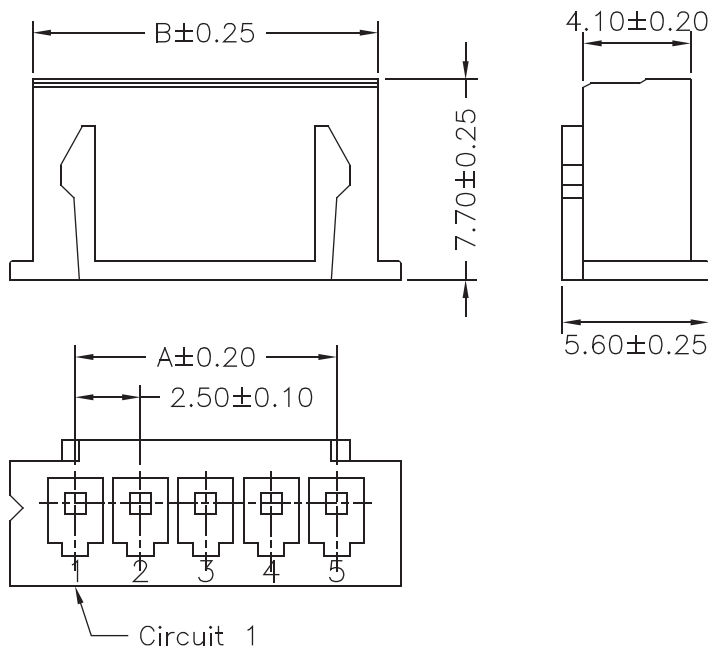
Part No.	Wire Range	Insulation O.D.	Material	Finish
2503-TTB-L	AWG#22-#28	1.90mm(max)	Brass	Tin Plated
2503-TTP-L	AWG#22-#28	1.90mm(max)	Phosphor Bronze	Tin Plated

Specifications

Current Rating: 3A AC,DC
 Voltage Rating: 250V AC,DC
 Temperature Range: -25°C to +85°C
 Contact Resistance: 10mΩ Max
 Insulation Resistance: 1000MΩ Min
 Withstanding Voltage: 1000V AC/minute
 Material:Nylon 66,UL94V-0



Part No.	Dimensions	
	A	B
2503H-02W-L	2.50	5.70
2503H-03W-L	5.00	8.20
2503H-04W-L	7.50	10.70
2503H-05W-L	10.00	13.20
2503H-06W-L	12.50	15.70
2503H-07W-L	15.00	18.20
2503H-08W-L	17.50	20.70
2503H-09W-L	20.00	23.20
2503H-10W-L	22.50	25.70
2503H-11W-L	25.00	28.20
2503H-12W-L	27.50	30.70
2503H-13W-L	30.00	33.20
2503H-14W-L	32.50	35.70
2503H-15W-L	35.00	38.20
2503H-16W-L	37.50	40.70
2503H-17W-L	40.00	43.20
2503H-18W-L	42.50	45.70
2503H-19W-L	45.00	48.20
2503H-20W-L	47.50	50.70



Part No.:2503H-XXW-L