

# BNC Connectors for Miniature Cable

Click on part number to go directly to cable assembly instructions

## Straight Plug

Clamp type for flexible cable:

**6500-1051-0XX** (Gold plated)

**6500-7051-0XX** (Nickel plated)

Crimp type for flexible cable:

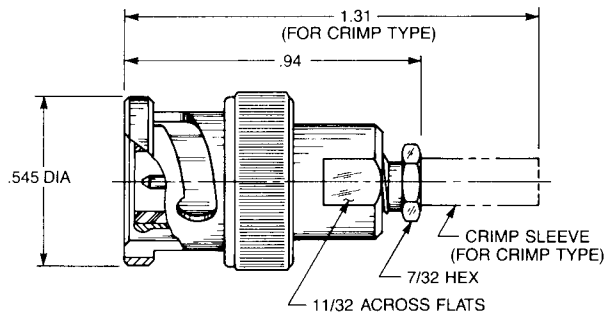
**6500-1071-0XX** (Gold plated)

**6500-7071-0XX** (Nickel plated)

Solder-clamp for semi-rigid cable:

**6500-1041-0XX** (Gold plated)

**6500-7041-0XX** (Nickel plated)



## Bulkhead Mounted Jacks

### Front Mount

Clamp type for flexible cable:

**6502-1051-0XX** (Gold plated)

**6502-7051-0XX** (Nickel plated)

Crimp type for flexible cable:

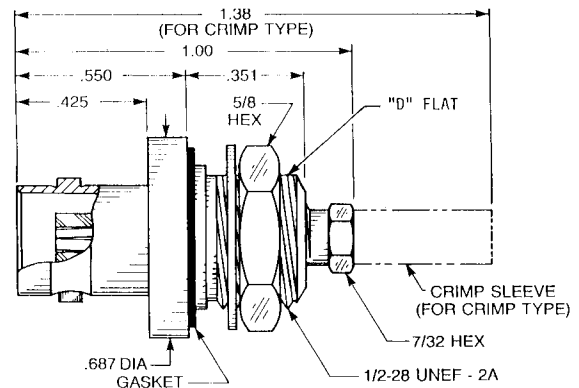
**6502-1071-0XX** (Gold plated)

**6502-7071-0XX** (Nickel plated)

Solder-clamp for semi-rigid cable:

**6502-1041-0XX** (Gold plated)

**6502-7041-0XX** (Nickel plated)



### Rear Mount

Clamp type for flexible cable:

**6501-1051-0XX** (Gold plated)

**6501-7051-0XX** (Nickel plated)

Crimp type for flexible cable:

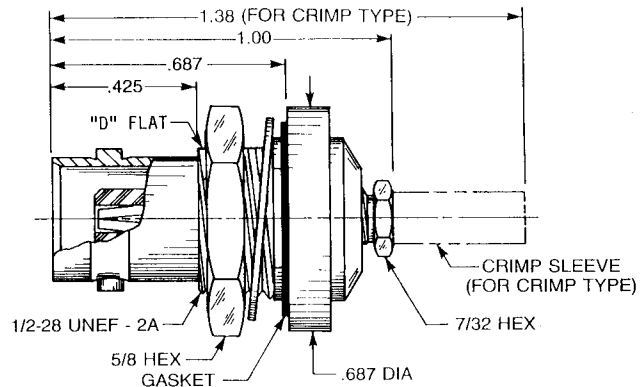
**6501-1071-0XX** (Gold plated)

**6501-7071-0XX** (Nickel plated)

Solder-clamp for semi-rigid cable:

**6501-1041-0XX** (Gold plated)

**6501-7041-0XX** (Nickel plated)



Substitute the appropriate cable group number for "XX" when ordering:

GROUP	CABLE TYPES	GROUP	CABLE TYPES	GROUP	CABLE TYPES
02	RG178, RG196, M17/93, M17/169	05	RG178DS, RG196DS	10	.085" semi-rigid, RG405, M17/133
03	RG174, RG179, RG316, M17/113, M17/119, M17/172, M17/189	09	.141" semi-rigid, RG 402M17/130	19	RG174DS, RG316DS, M17/151, M17/152, Times RD-316



APPLIED ENGINEERING PRODUCTS

(203) 776-2813 • FAX (203) 776-8294

www.aepconnectors.com • aepsales@aepconnectors.com