

FEATURES

- ✧ Guiding post offers easy orientation
- ✧ 3.80 & 5.30mm stem height available

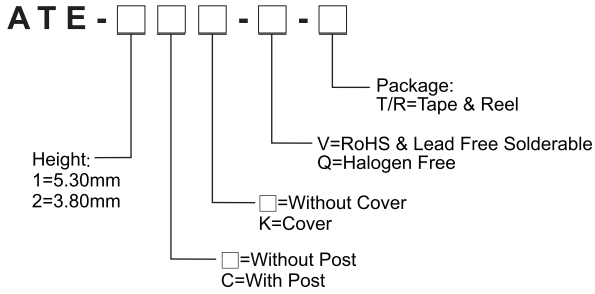
APPLICATION

- ✧ DSC
- ✧ Detection of disc loading

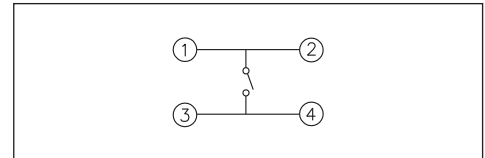
SPECIFICATION

Contact Rating	1mA, 5V DC
Contact Resistance	1Ω max.
Insulation Resistance	100MΩ min. 100V DC
Dielectric Strength	100V AC/1 minute
Operating Force	40gf max.
Travel	3.9mm max. Stem Height 5.3mm 2.6mm max. Stem Height 3.8mm
Operating Life	100,000 cycles
Operating Temp.	-10°C ~ +60°C
Storage Temp.	-20°C ~ +70°C

HOW TO ORDER



CIRCUIT

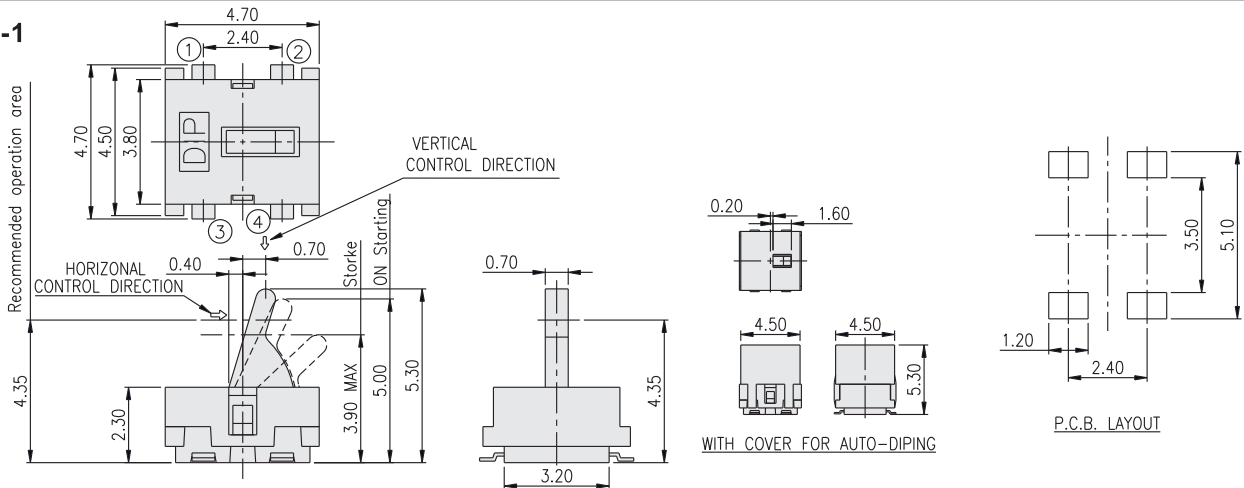


PACKAGE

<Tape & Reel>

- ATE-1 -T/R: 900 pcs
- ATE-2 K-T/R: 900 pcs
- ATE-2 -T/R: 1200 pcs

ATE-1



ATE-2C

