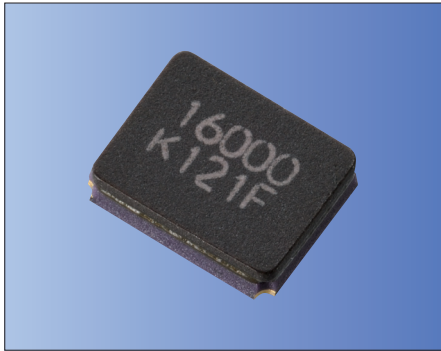




3.2×2.5mm for Automotive



AEC-Q200 RoHS Compliant

Features

- Crystal unit for automotive electronics
- Small and low profile (3.2×2.5×0.80mm)
- Ceramic package
- Reflow compatible

Applications

- ECU
- High-Speed Automotive Network

How to Order

CX3225CA 16000 DO P S V CC
 ① ② ③ ④ ⑤ ⑥ ⑦

- ① Series
- ② Frequency
- ③ Load Capacitance
- ④ Frequency Tolerance
- ⑤ Operating Temp. Range
- ⑥ Frequency Temp. Stability
- ⑦ Individual Specification (STD Standard is "CC")

DO	8 pF	P	±50×10 ⁻⁶
SV	-40 to +125°C		±150×10 ⁻⁶

Packaging (Tape & Reel 3000 pcs./ reel)

Specifications

Item	Symbol	Specification	Units	Remarks
Frequency Range	f _{nom}	12000 to 54000	kHz	
Overtone Order	OT	Fundamental	—	
Load Capacitance	CL	8	pF	Please contact us for other CL requirements.
Frequency Tolerance	f _{tol}	±50	×10 ⁻⁶	25°C±3°C
Motional Series Resistance	R1	Table 1	ohm	
Drive Level	DL	Table 2	μW	
Operating Temp. Range	T _{use}	-40 to +125	°C	
Storage Temp. Range	T _{stg}	-40 to +150	°C	
Frequency Temp. Characteristics	f _{tem}	±150	×10 ⁻⁶	Freq. deviation from the value at 25°C

Please contact us for other specifications.

Table 1 Motional Series Resistance

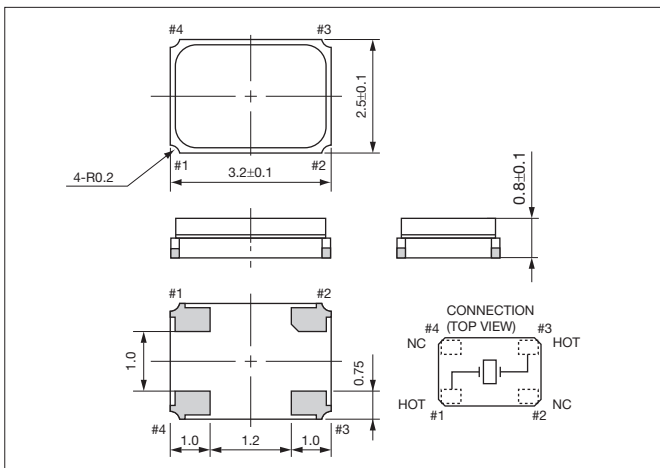
Frequency Range	Motional Series Resistance
12000 ≤ f _{nom} < 13560 kHz	200Ω max.
13560 ≤ f _{nom} < 16000 kHz	120Ω max.
16000 ≤ f _{nom} ≤ 54000 kHz	100Ω max.

Table 2 Level of Drive

Frequency Range	Level of Drive
12000 ≤ f _{nom} ≤ 54000 kHz	10μW (200μW max.)

Dimensions

(Unit: mm)



Recommended Land Pattern

(Unit: mm)

