

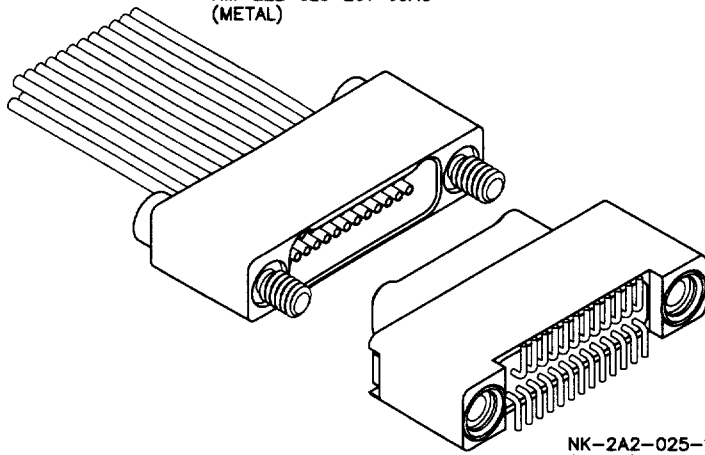
# 2 · ROW Cable to Board Vertical SMT

.025"

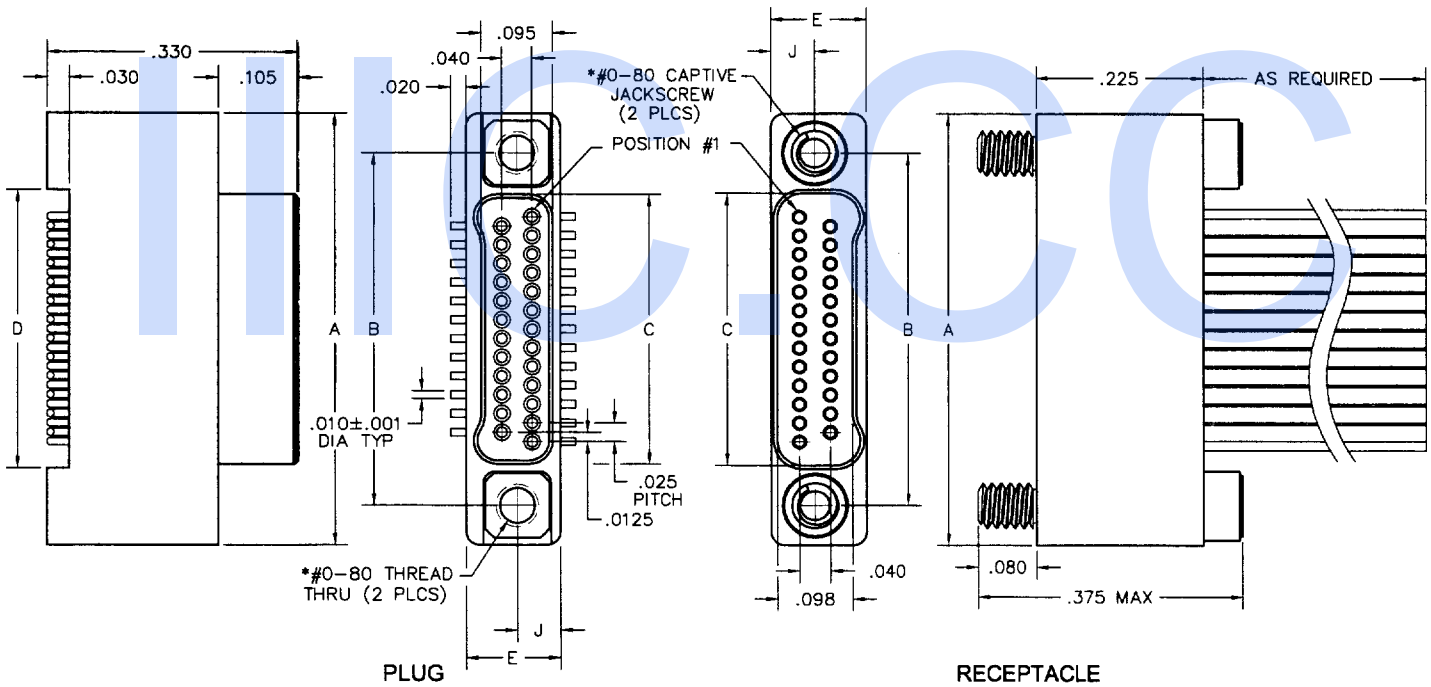
**NM, NK**

9 thru 85 Contacts

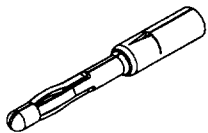
NM-222-025-261-JCAC  
(METAL)



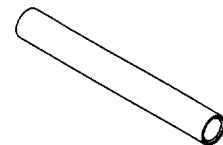
NK-2A2-025-125-TH00  
(METAL)



SIZE	A	B	C		D	E	J	*HARDWARE
			PLUG	RCPT				
9	.375	.270	.160	.163	.170	.125	.0575	#0-80 THREAD
15	.450	.345	.235	.238	.245			
21	.525	.420	.310	.313	.320			
25	.575	.470	.360	.363	.370			
31	.650	.545	.435	.438	.445			
37	.725	.620	.510	.513	.520			
51	.900	.795	.685	.688	.695			
65	1.075	.970	.860	.863	.870			
69	1.125	1.020	.910	.913	.920			
85	1.377	1.246	1.110	1.113	1.120			



PIN CONTACT  
3 TINE SPRING MEMBER, CRIMP



SOCKET CONTACT  
MACHINED TUBE, CRIMP

PLUG: NK-2A2-025-125-TH00  
 RECEPTACLE: NM-222-025-261-JCAC  
 XX-XXX-XXX-XXX-XXXX-XXX

PLUG	RECEPTACLE
<b>SERIES</b>	

NK .025" Metal PC Board Mounted Connector	NM .025" Metal I/O Connector
---	------------------------------

<b>BODY</b>	
-------------	--

2 2-Row	2 2-Row
---------	---------

<b>BODY STYLE:</b> A Plug, vertical mount SMT	<b>BODY STYLE:</b> 2 Receptacle, straight
--	--

<b>BODY MATERIAL:</b> 2 Liquid Crystal Polymer w/ electroless nickel shell 3 Liquid Crystal Polymer w/ electrodeposited cadmium shell	<b>BODY MATERIAL:</b> 2 Liquid Crystal Polymer w/ electroless nickel shell 3 Liquid Crystal Polymer w/ electrodeposited cadmium shell
---	---

<b>SIZE</b>	
-------------	--

XXX Number of contacts (009, 015, 021, 025, 031, 037, 051, 065, 069 or 085)	XXX Number of contacts (009, 015, 021, 025, 031, 037, 051, 065, 069 or 085)
---	---

<b>CONTACTS</b>	
-----------------	--

<b>TYPE CONTACTS/TERMINATIONS:</b> 12 Pin, SMT (.020 lead envelope)	<b>TYPE CONTACTS/TERMINATIONS:</b> 26 Socket, straight, crimped wire
--	---

<b>PLATING OPTIONS:</b> 5 50 u" Au contacts; 100 u" Sn terminations	<b>PLATING OPTIONS:</b> 1 50 u" Au contacts
--	--

<b>HARDWARE</b>	
-----------------	--

<b>STYLE OF HARDWARE:</b> 00 None TH Threaded hole, #0-80 UNF*	<b>STYLE OF HARDWARE:</b> 00 None JC Turning jackscrews, captivated #0-80*
--	--

<b>WIRING OPTIONS:</b> 00 None	<b>WIRING OPTIONS:</b> XX See wiring codes, Page N-51
-----------------------------------	--

<b>OPTIONS</b>	
----------------	--

010 .040 lead envelope	
------------------------	--

\* = #2-56 hardware on 85 position connectors