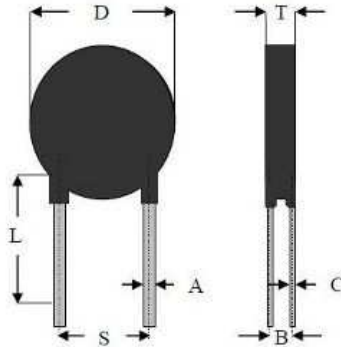




## AS32 5R020

Inrush Current Limiters**Mechanical Specifications (mm)**

D:	32.00
T:	8.40
Lead Diameter:	
S:	17.10
L:	21.00
Coating Run Down	
Straight Lead	6.00
B:	5.40
C:	0.80

**Electrical Specifications**

Resistance:	5 $\Omega$ $\pm$ 25%
Max Steady State Current up to 25°C	20 A
Max Recommended Energy	300 J
Actual Energy Failure	600 J
Resistance @ 100% Max Current:	0.03 ohm
Resistance @ 50% Max Current:	0.06 ohm
Body Temperature @ Max Current	255°C
Dissipation Constant:	78.2 mW/°C
Thermal Time Constant:	0 mW/s
Material Type (for Beta and Curve)	H



AS32 5R020	
Date: 03/15/2011	Drawn By: Erin Landis
Ametherm, Inc 3111 N. Deer Run Road Carson City, NV 89701 <a href="http://www.ametherm.com">www.ametherm.com</a>	Approved By: Mehdi Samii
	Revision: A