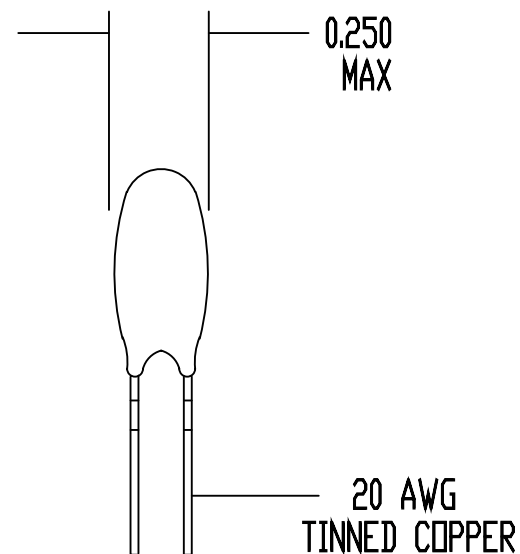
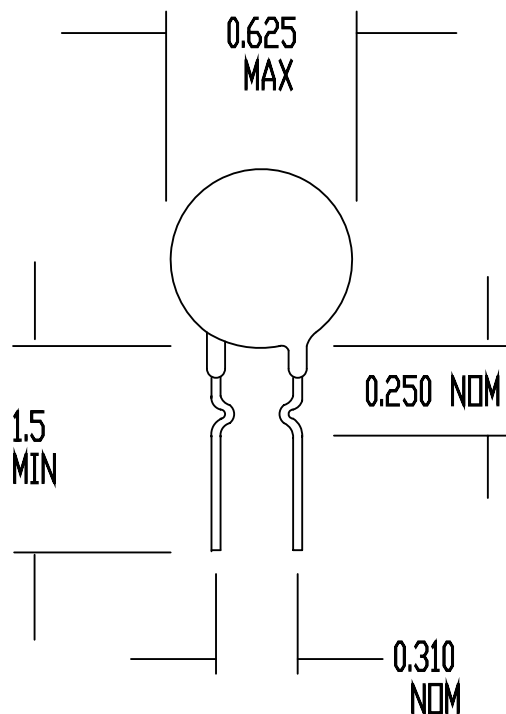



|     |          |      |
|-----|----------|------|
| REV | DATE     | ECD# |
| A   | 03/31/95 | 1342 |
|     |          |      |

DRAWING NOT TO SCALE  
ALL DIMENSIONS IN INCHES



**SPECIFICATIONS:**

RESISTANCE AT 25 DEG C = 40 OHMS +/- 15%  
 MAX CONTINUOUS CURRENT ( $I_{max}$ ) = 2 AMPS  
 RESISTANCE AT  $I_{max}$  = 0.60 OHMS NOMINAL  
 MAX VOLTAGE RATING = 265 VAC (RMS)  
 MAX SURGE RATING = 20 JOULES  
 ENCAPSULATION = SILICONE RESIN  
 MARKING = OPTIONAL  
 LEADS = RODAN P/N STL-209-42

|                    |                |  |
|--------------------|----------------|--|
| DRAWN BY D. NGUYEN |                | <br><b>Circuit Protection Thermistors</b> |
| DATE 09/25/90      | ORIG. F. TISED |  |
| REV A              | APP            | <b>SURGE-GARD<br/>INRUSH CURRENT LIMITER</b>   |
| SHEET 1 OF 1       |                | SG316  |