

SPECIFICATIONS

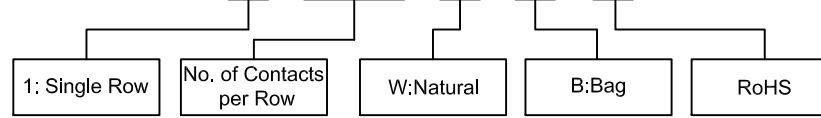
Current Rating:3A AC, DC
 Voltage Rating:250V AC,DC
 Temperature Range:-40°C~+105°C
 Contacts Resistance:10mΩ Max.
 Insulation Resistance:100MΩ min.
 Withstand Voltage:1000V AC/minute

MATERIAL

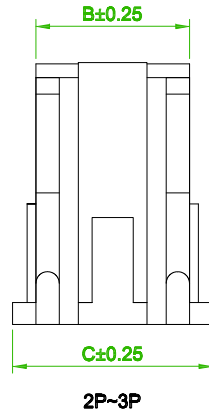
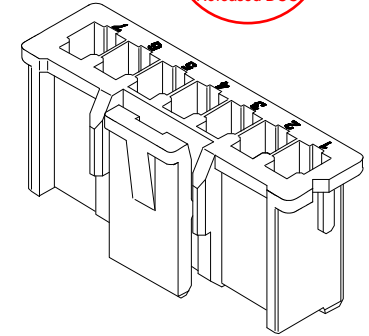
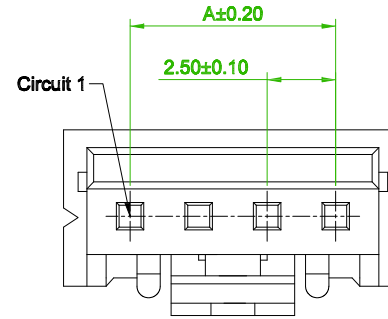
Insulator: Nylon 66, UL94V-0

ORDER INFORMATION

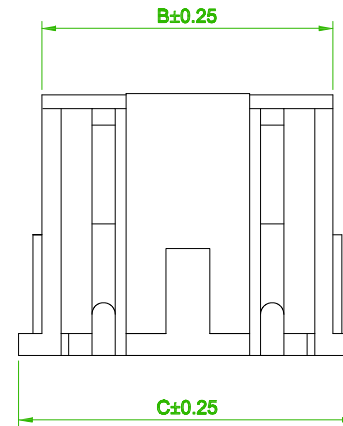
5 H 2 5 1 1 F 0 - 1 X X W B L 0 0 G 0 1



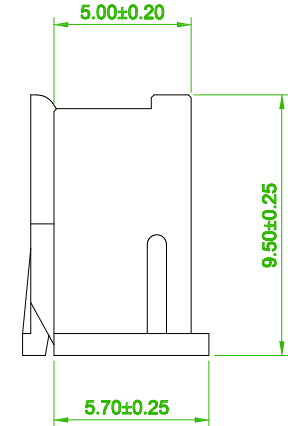
No. of Contacts	Dimensions(mm)		
	A	B	C
2 Pin	2.50	5.64	7.30
3 Pin	5.00	8.14	9.80
4 Pin	7.50	10.64	12.30
5 Pin	10.00	13.14	14.80
6 Pin	12.50	15.64	17.30
7 Pin	15.00	18.14	19.80
8 Pin	17.50	20.64	22.30
9 Pin	20.00	23.14	24.80
10 Pin	22.50	25.64	27.30
11 Pin	25.00	28.14	29.80
12 Pin	27.50	30.64	32.30
13 Pin	30.00	33.14	34.80
14 Pin	32.50	35.64	37.30
15 Pin	35.00	38.14	39.80




2P~3P



4P~15P



REV.	ECN NO. OR DESCRIPTION	REVISED	DATE

 糧德精密有限公司 Amtek Technology Co., Ltd. TEL: 886-2-2260-6878 FAX: 886-2-2260-8030	品名 TITLE	2.5mm HOUSING WIRE SIDE			頁數 Page	1/1	
	品號 PART NO.	5H2511F0-1XXWBL00G01		繪圖 DRAWN	Nick 2019/11/08		
	圖號 DRAWING NO.	GN014-NI504	版本 REV.	A	核對 CHECKED	Josh 2019/11/08	
	客戶品號 CUSTOMER P/N		比例 SCALE	None	承認 APPROVED	Josh 2019/11/08	
	公差 TOLERANCE	.X±0.25 .XX±0.20	單位 UNIT	mm	THIRD ANGLE PROJECTION	