

ORDER INFORMATION

Electrical

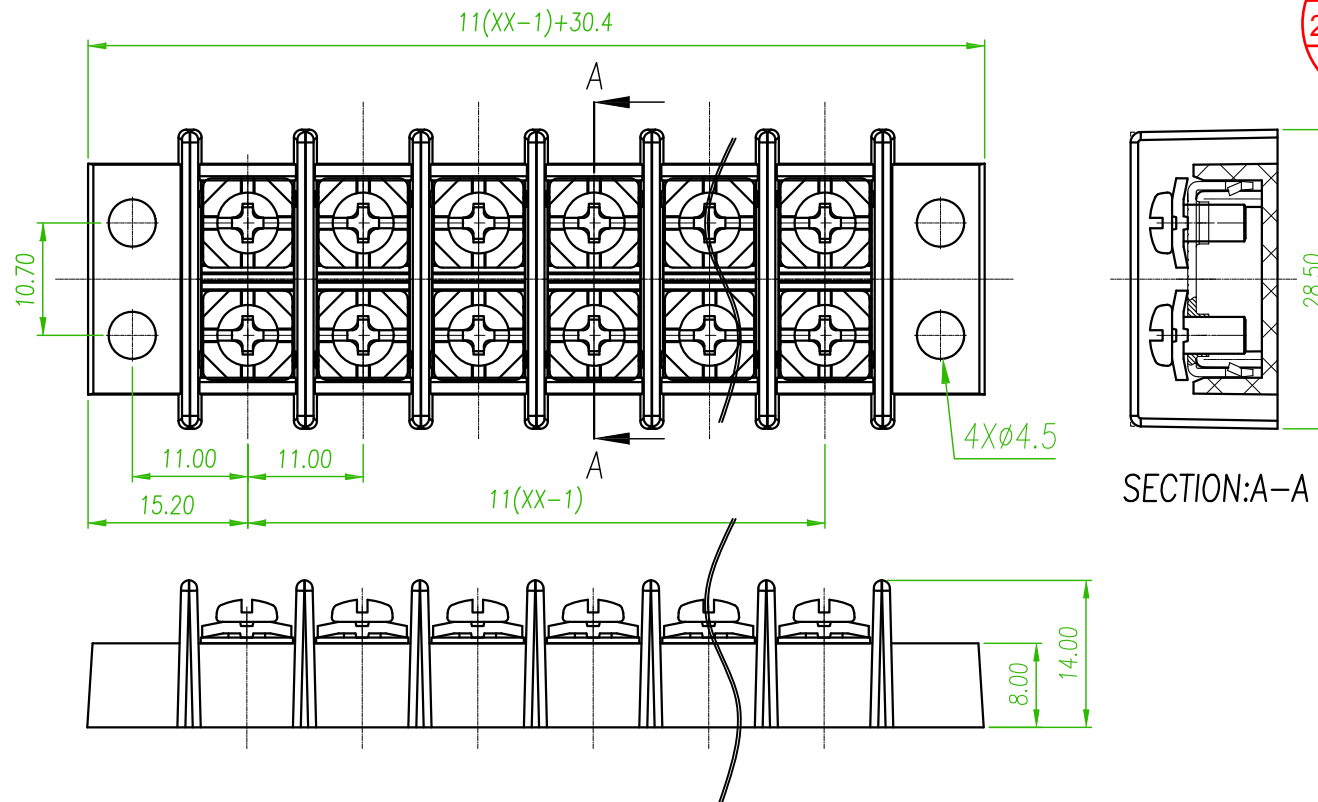
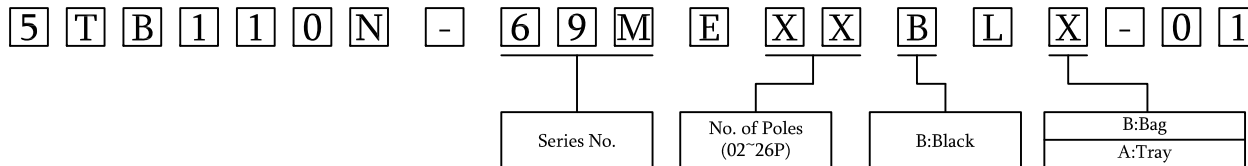
Standard: UL IEC
 Rated Voltage: 300V 750V
 Rated Current: 25A 32A
 Contact Resistance: 20mΩ
 Insulation Resistance: 500MΩ / DC 500V
 Wire Range: 22-12AWG 4.0mm²
 Dielectric Voltage: AC 2000V for one minute
 Temp. Range: -40°C ~ +105°C

Mechanical

Temp. Range: -40°C ~ +105°C
 Torque: 0.8Nm

Material

Housing: Nylon 66, UL94V-0
 Screws: M3.5, Steel, Ni Plated
 Pin Header: Copper Alloy, Ni Plated



linear dimension(Tolerances Standard GB/T 14486-2008)											≡	—	□	//	⊥	
variable range	to 6	over 6 to 10	over 10 to 18	over 18 to 30	over 30 to 50	over 50 to 80	over 80 to 120	over 120 to 160	over 160 to 200	over 200 to 250	over 250 to all	to 5	over 5 to 30	over 30 to 120	over 120 to	
tolerance	±0.1	±0.14	±0.19	±0.25	±0.32	±0.43	±0.57	±0.72	±0.88	±1.05	±1.25	0.5	0.025	0.06	0.12	0.4

REV.	ECN NO. OR DESCRIPTION	REVISED	DATE

糧德精密有限公司
 Amtek Technology Co., Ltd.
 TEL: 886-2-2260-6878
 FAX: 886-2-2260-8030

品名 TITLE	11.0mm Terminal Block				頁數 Page	1/1
品號 PART NO.	5TB110N-69MEXXB L X-01			繪圖 DRAWN	Roy 2019/01/02	
圖號 DRAWING NO.	GN011-R1092	版本 REV.	A	核對 CHECKED	Josh 2019/01/02	
客戶品號 CUSTOMER P/N		比例 SCALE	None	承認 APPROVED	Jason 2019/01/02	
公差 TOLERANCE		單位 UNIT	mm	THIRD ANGLE PROJECTION		