

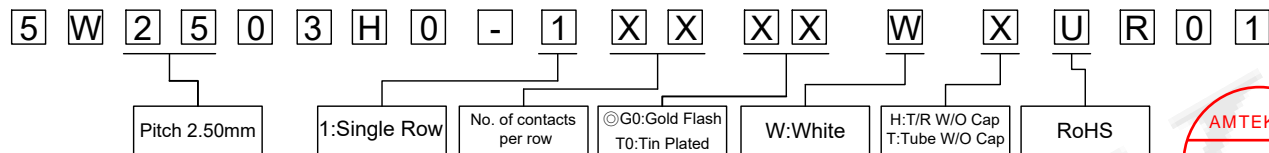
SPECIFICATION

Current Rating: 3 AMP
 Temperature Range: -25°C ~ +85°C
 Contact Resistance: 10mΩ Max.
 Insulation Resistance: 1000MΩ Min.
 Dielectric Voltage: 1000V AC for one minute

MATERIAL

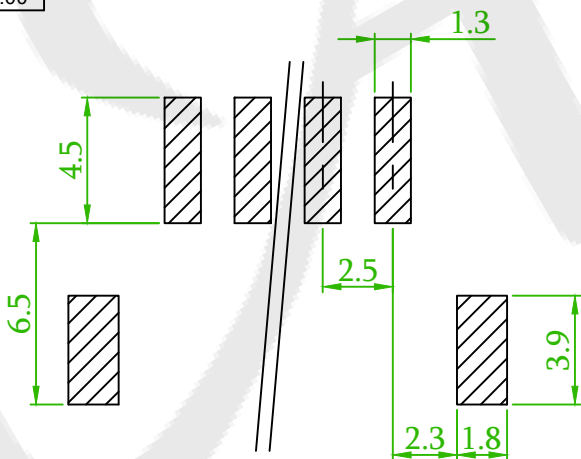
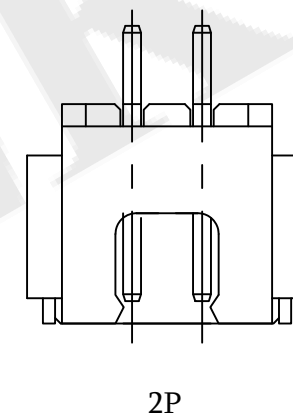
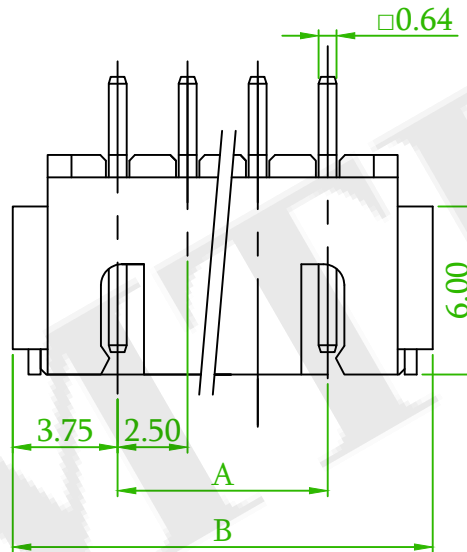
Contact Pin: Brass
 Insulator: Nylon 6T, UL94V-0

ORDER INFORMATION



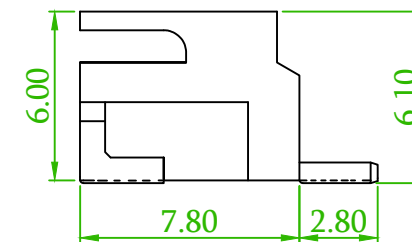
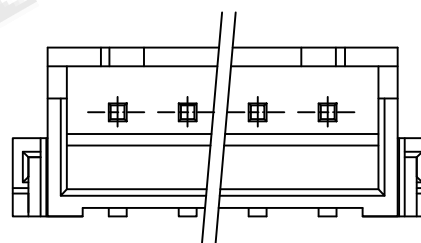
◎: Standard Recommend

No. of contacts	Dimensions	
	A	B
02	2.50	10.00
03	5.00	12.50
04	7.50	15.00
05	10.00	17.50
06	12.50	20.00
07	15.00	22.50
08	17.50	25.00
09	20.00	27.50
10	22.50	30.00
11	25.00	32.50
12	27.50	35.00
13	30.00	37.50
14	32.50	40.00
15	35.00	42.50
16	37.50	45.00



Recommended PCB Layout
 TOLERANCE: ±0.05

3P-16P



Old Part No. : 2503MR-04GW-U

REV.	ECN NO. OR DESCRIPTION	REVISED	DATE
△x2	Revise the Plated	Alice	2021/02/04

禮德精密有限公司
 Amtek Technology Co., Ltd.
 TEL: 886-2-2260-6878
 FAX: 886-2-2260-8030

品名 TITLE	2.50mm WAFER SMT TYPE			頁數 Page	1/1
品號 PART NO.	△B 5W2503H0-1XXXXWXUR01			繪圖 DRAWN	Eloise 2017/05/19
圖號 DRAWING NO.	GW127-EL450	版本 REV.	B	核對 CHECKED	Jerry 2017/05/19
客戶品號 CUSTOMER P/N		比例 SCALE	1 : 1	承認 APPROVED	Jerry 2017/05/19
公差 TOLERANCE	.X ± 0.35 .XX ± 0.25	單位 UNIT	mm	THIRD ANGLE PROJECTION	⊕ ↗