

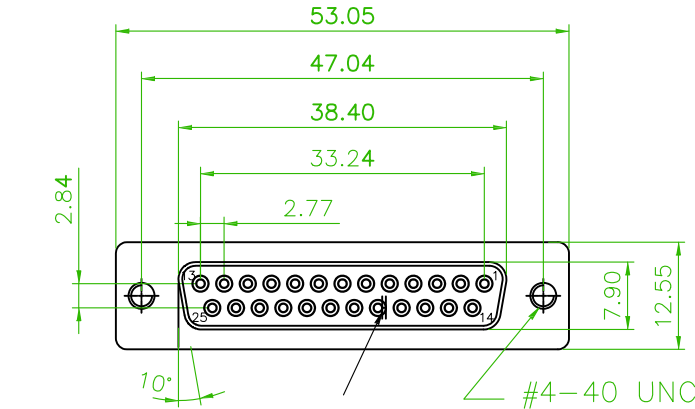
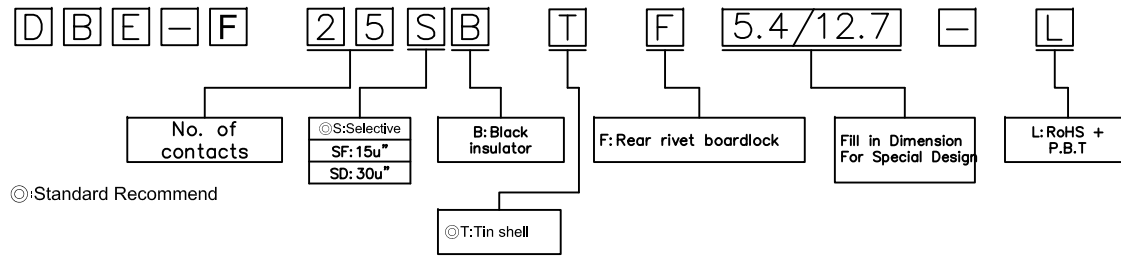
SPECIFICATION

Current Rate:1 AMP
 Insulation Resistance:1000M ΩMin
 Contact Resistance:20m ΩMax
 Dielectric voltage:500V AC for one minute
 Operation Temperature:-55°C to +105°C

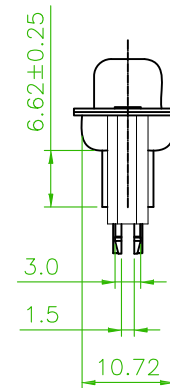
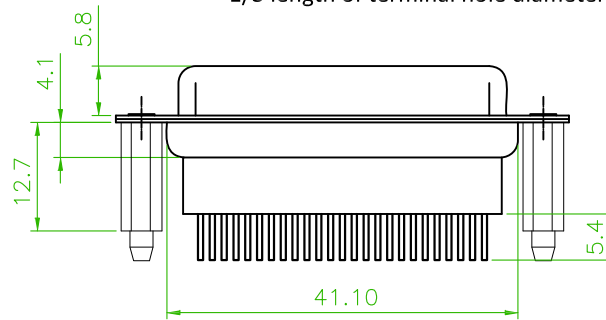
MATERIAL


Insulator:PBT+30% Glass Fiber(UL94V-0)
 Terminal:Copper Alloy
 Shell:Steel
 Boardlock:Brass

ORDER INFORMATION



Due to the structure of this product, products are accepted if the terminal core isn't excess the 1/3 length of terminal hole diameter; Max.tolerance: 0.37~0.44mm.



		 韋德精密有限公司 Amtek Technology Co., Ltd. TEL:886-2-2260-6878 FAX:886-2-2260-6030	品名 TITLE	D-SUB P.C.B STRAIGHT EVATED TYPE				
			品號 PART NO.	DBE-F25SBTF5.4/12.7-L		日期 DATE	2012/03/21	
			圖號 DRAWING NO.	DBE-F25SBTF5.4/12.7-L	版本 REV.	B	繪圖 DRAWN	Joe
			客戶品號 CUSTOMER P/N		比例 SCALE	FREE	核對 CHECKED	Jenny
		公差 TOLERANCE	.X ±0.25 .XX ±0.13	單位 UNIT	mm	核准 APPROVED	James	
AREA	REV.	DESCRIPTION	DATE					
	B	Revise the drawing	2015/10/19 Roy					