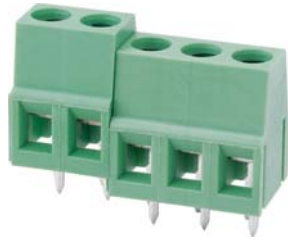


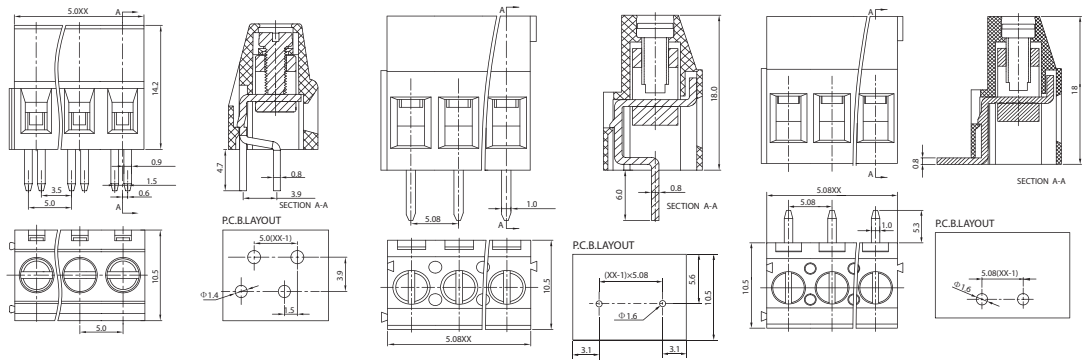
P CB Screw Terminal Block

AMTEK CONNECTORS MANUFACTURE



Pitch / Height	TB128E-5.0 5.0mm / 14.2mm	TB129-5.08 5.08mm / 18.0mm	TB129R-5.08 5.08mm / 18.0mm
Poles	2P~24P	2P~24P	2P~24P
Rated	300V/10A	300V/16A	300V/10A
Wire	22-14AWG 2.5mm ²	24-12AWG 4.0mm ²	24-12AWG 4.0mm ²

Drawing



Pitch / Height	TB129-7.62 7.62mm / 17.8mm	TB635-6.35 6.35mm / 21.5mm	TB636-6.35 6.35mm / 21.6mm
Poles	2P~24P	2P~24P	2P~24P
Rated	300V/16A	300V/30A	300V/30A
Wire	24-12AWG 4.0mm ²	26-10AWG 6.0mm ²	26-10AWG 6.0mm ²

Drawing

