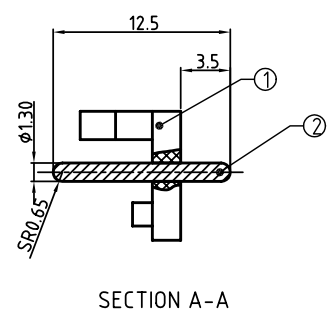
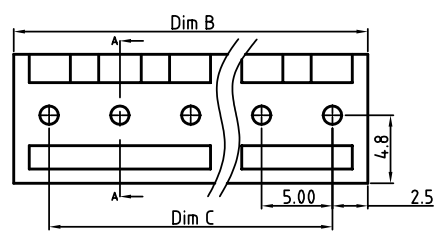
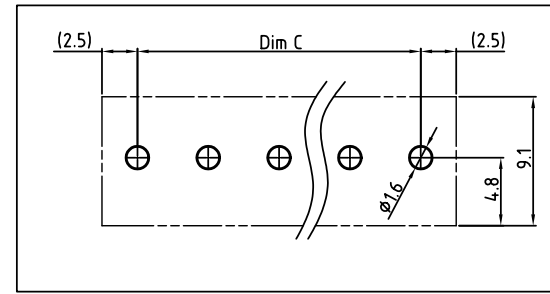
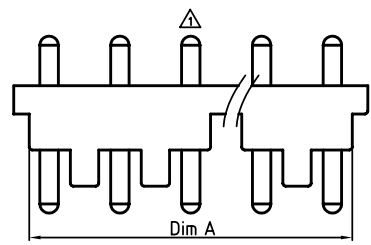


SIGN	DATE	DESCRIPTION
△	04/22/08	pin尖改為球面。
<b>THIS IS CAD DRAWING, DO NOT REVISE MANUALLY!!!</b>		



**Material**

- Item ① Terminal (Body): Thermoplastic (UL94V-0)
- Item ② Male contact pin: Brass, Tin plated

**Electrical**

- Voltage rating: 300VAC
- Current rating: 15A
- Withstanding Voltage: 1.6KV
- Operating temperature: -40°C to +115°C
- Soldering temperature: 250°C±10°C/5 Sec

**KG xx 00 x 0 xxxx G**

- 02 2 CONTACTS 0 Black (RAL9005) 0000:standard Pb < 40,000ppm
- 03 3 CONTACTS 2 Red (RAL3001/D) Any special item by (RoHS)
- ... .. 3 Orange(RAL2011/P) customer request,
- 24 24 CONTACTS 4 Yellow(RAL1018/A) please contact sales
- 5 Green(RAL6018/T) department.
- 6 Blue (RAL5015/A)
- 8 Grey(RAL7035/D)

Poles	2	3	4	5	6	7	8	9	10	11	12	13
Dim A	7.80	12.80	17.80	22.80	27.80	32.80	37.80	42.80	47.80	52.80	57.80	62.80
Dim B	10.00	15.00	20.00	25.00	30.00	35.00	40.00	45.00	50.00	55.00	60.00	65.00
Dim C	5.00	10.00	15.00	20.00	25.00	30.00	35.00	40.00	45.00	50.00	55.00	60.00
TOL	±0.15						±0.20					
Poles	14	15	16	17	18	19	20	21	22	23	24	
Dim A	67.80	72.80	77.80	82.80	87.80	92.80	97.80	102.80	107.80	112.80	117.80	
Dim B	70.00	75.00	80.00	85.00	90.00	95.00	100.00	105.00	110.00	115.00	120.00	
Dim C	65.00	70.00	75.00	80.00	85.00	90.00	95.00	100.00	105.00	110.00	115.00	
TOL	±0.30						0.40					

<b>ANYTEK</b>				<b>CUSTOMER CO</b>			
ALL RIGHTS RESERVED. REPRODUCTION OR ISSUE TO THIRD PARTY FROM WHATEVER IS NOT PERMITTED WITHOUT WRITTEN AUTHORIZATION. PROPRIETOR: PROPERTY OF ANYTEK TECHNOLOGY CO., LTD							
TITLE	KG 5.0						
PART NO.	KGxx00x0xxxxG			DWG NO.	8KG0001		
APPROVED	CHECKED	DESIGNED	DRAWN	CUST NO.			
		Tason 09/17/07	Tason 09/17/07			UNIT: mm	T
						SCALE: NONE	X.
						REV.: C	X.X
						SHEET: 01/01	X.X
							X°