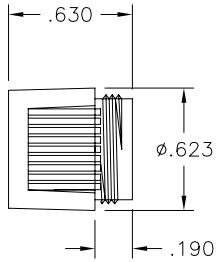
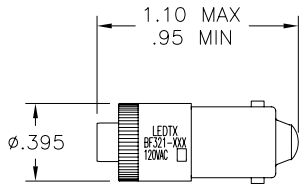


LTR	REVISION	DATE	APPD
-	RELEASED	03-26-14	

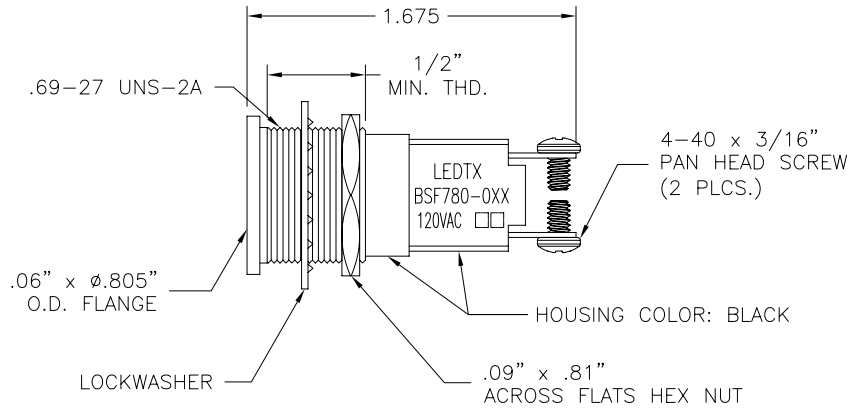
LENS
LENS-LCF780-CXF



BULB
BF321-0XX-120A



HOLDER
HLDR-BS780BS



NOTES:

1. ALL DIMENSIONS ARE IN INCHES.
2. PARTS WITH (*) ARE RoHS CERTIFIED.
3. MOUNTING DIAMETER: Ø11/16"
4. OPERATING TEMPERATURE: ~-30°C TO ~+50°C

LENS MATERIAL:

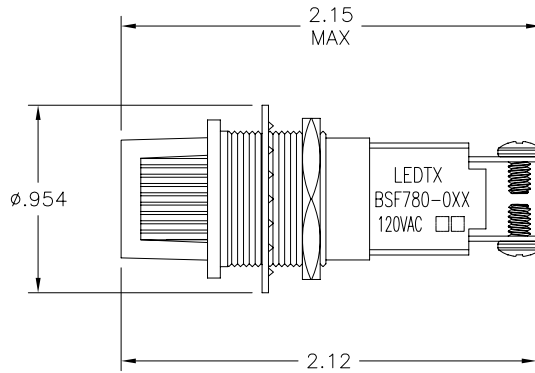
POLYCARBONATE-UV STABILIZED. (UL94V-2)

HOLDER SPECIFICATIONS:

- HOUSING: BRASS - BLACK NICKEL FINISH
- BODY: HIGH DIELECTRIC PHENOLIC
- HEX NUT: BRASS - NICKEL-PLATED
- LOCK WASHER: PHOSPHOR BRONZE - NICKEL-PLATED
- TERMINALS: BRASS - TIN-PLATED
- SCREWS: 4-40 BRASS - NICKEL-PLATED
- WEIGHT: 0.04 LB

APPROVALS

UL LISTED AND CSA CERTIFIED



REVISION NOTIFICATION	
<input type="checkbox"/>	DLC
<input type="checkbox"/>	UL/ETL
<input type="checkbox"/>	MADE IN USA
<input type="checkbox"/>	CUSTOMER _____
<input type="checkbox"/>	OTHER

ELECTRO-OPTICAL CHARACTERISTICS (Ta = 25°C)

BSF780-0AG-120A*	AQUA GREEN	120VAC	0.006-0.008 A	-	520	120°
BSF780-0CW-120A	COOL WHITE	120VAC	0.006-0.008 A	0.150cd	8000K	120°
LEDTRONICS PART NO.	COLOR EMITTED	INPUT VOLTAGE, V	CURRENT (A)	MAXIMUM CANDELA	VIEWING ANGLE (FULL BEAM WIDTH @ 50% INTENSITY)	
					λ P nm	COLOR TEMP. (Kelvin)



-PROPRIETARY-
This document contains Proprietary information of LEDTRONICS, INC. It may not be copied, used or disclosed for any purpose without the prior express written consent of LEDTRONICS, INC.

.XXX ± .010 TOLERANCE PER ANSI-Y14.5
.XX ± .025 (UNLESS OTHERWISE STATED)
ANGLES ± 0°,30'
FRACT. ± 1/32

TITLE BSF780-0XX-120A					
DWG NO	SCALE	SHEET	DATE		
BSF780-120VAC	1:1	1 OF 1	03-26-14		
CODE IDENT NO.	DWG BY	CHK BY	QA	RD	MFG
8Z410	GP		03-27-14	03-27-14	03-27-14
			R&D	BJ	