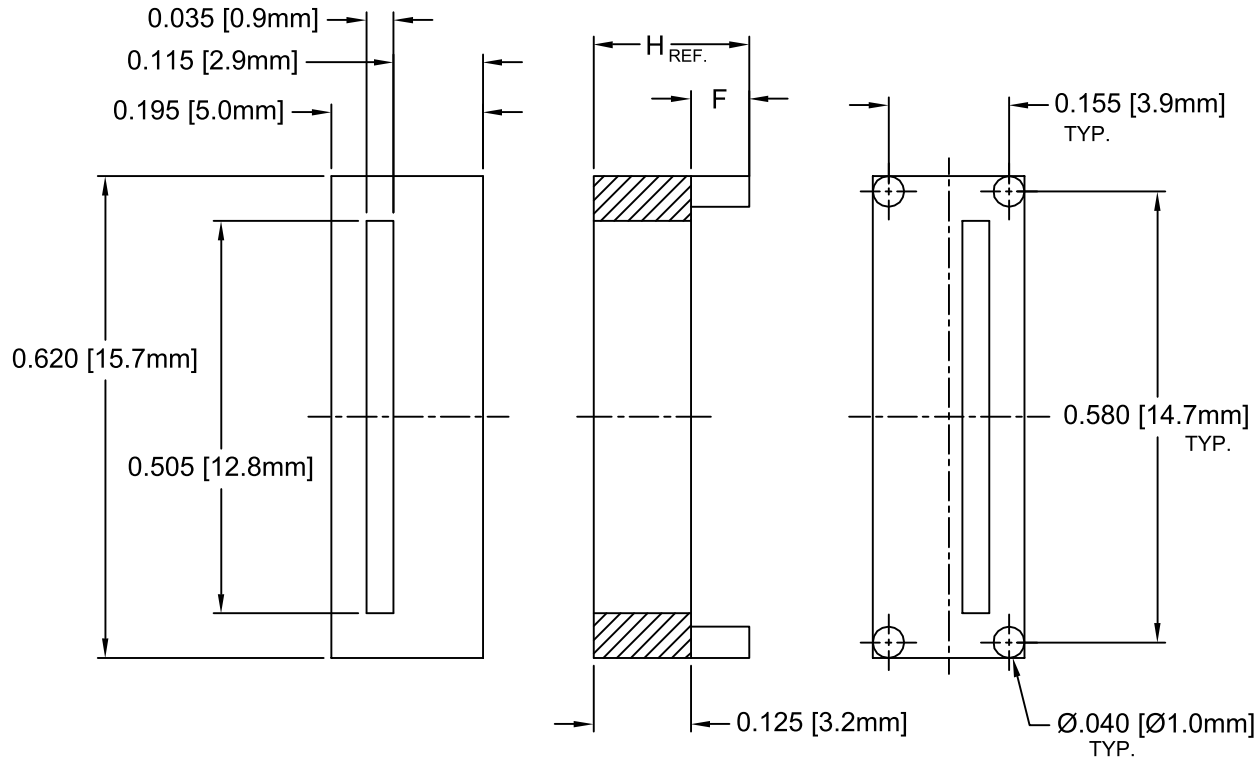




REV.	DESCRIPTION	DATE	APPROVED
A	Engineering Update w/o Changes	02/20/04	M. C.



PART NO.	H	F
422-125	.125 (3.2)	.000
422-150	.150 (3.8)	.025 (.64)
422-175	.175 (4.4)	.050 (1.3)
422-200	.200 (5.1)	.075 (1.9)

- MATERIAL: NYLON 6/6, 94V-2, BLACK. BIVAR MATERIAL CODE 03-NL-BK. BASF ULTRAMID NYLON 6/6 A3K NATURAL W/BLACK PIGMENT ADDED.
- GENERAL SPECIFICATIONS: BIVAR MOLDED COMPONENT SPECIFICATION BV00-E101.

STANDARD TOLERANCE (UNLESS OTHERWISE SPECIFIED)		 4 THOMAS, IRVINE, CA. 92618 TEL: (949) 951-8808 FAX: (949) 951-3974			
DECIMALS	ANGULAR				
.X ± .1	X° ± 1°	 TITLE: MOLDED POWER TRANSISTOR MOUNT (TO-219)			
.XX ± .01					
.XXX ± .005		DESIGNED: Ty Yin	DATE: 02/20/04	PART NO: 422-XXX	REVISION: A
CHECKED: D. Green		DATE: 02/20/04	CAGE CODE : 32559	SHEET # 1 OF 1	
CAD GENERATED DOCUMENT, DO NOT MEASURE DRAWING.					