

REV.	LOCAS.	DESCRIPTION	DATE	DRAWN
01	NEW	INITIAL RELEASE.	2013.10.30	劉宗良
02		According to the actual requirement to update the latest specification	2014.10.08	楊濤
03		柱子依實物修改圖面	2015.8.05	李鮮梅

Specifications

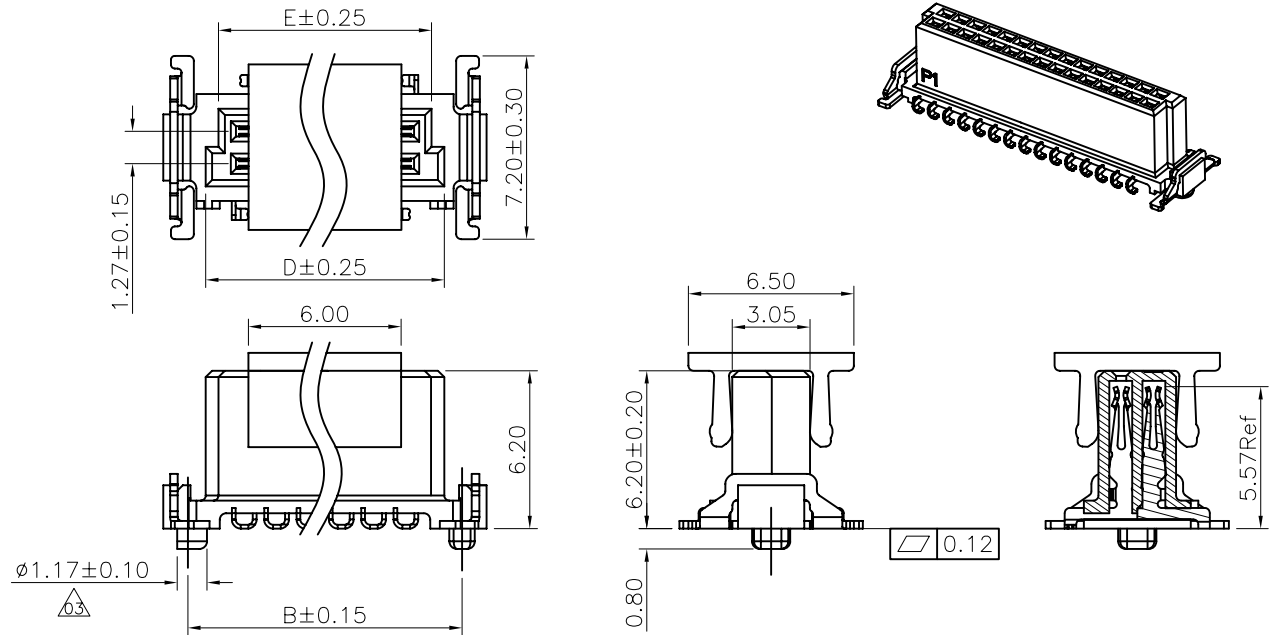
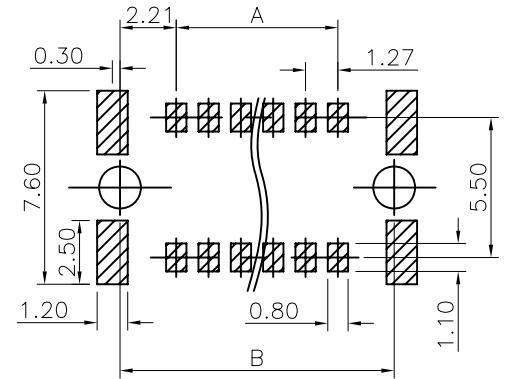
Current Rating:0.8Amp  
 Insulation Resistance:1000MΩ Min.  
 Dielectric Withstanding Voltage:500VAC  
 Contact Resistance:30mΩ Max.  
 Operating Temperature:-55°C to +125°C  
 Materials

Contact Material:Copper Alloy  
 Insulator Material:High Temperature Thermoplastic, UL 94V-0 LCP or the equivalent material  
 Colour:Black

All materials must meet Greenconn hazardous substances control standards

PIN NO.	A	B	C	D	E
2*06	6.35	10.77	13.20	9.37	8.37
2*13	15.24	19.66	22.09	18.26	17.26
2*25	30.48	34.90	37.33	33.50	32.50

Recommended P.C.Board Layout  
(Tolerance:±0.05)



Ordering Information

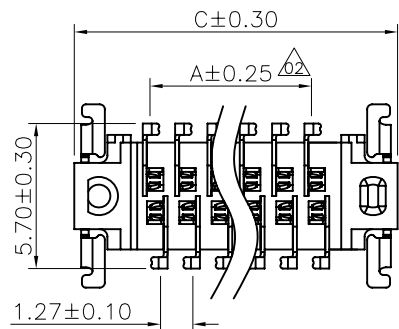
CBEC201-XX XX B001 C 1 X X

No. of Pins per Row 06~25

Standard Plating  
 79=5u"Au/80~160u"Matte Tin  
 Selective Plating  
 34=10u" Gold/Gold Flash  
 05=Gold Flash/Tin

Standard Packing  
 C=Tube  
 E=CAP+Tube  
 Selective Packing  
 F=CAP+Tape&Reel

A=Phosphor Bronze  
 F=Beryllium Copper



格稜股份有限公司  
**Greenconn Corporation**

GENERAL TOLERANCE	
X.±5.0°	X.±0.30
.X'±3.0°	.X±0.25
.XX'±2.0°	.XX±0.15
.XXX'±1.0°	.XXX±0.10

DESIGN: 李鮮梅	DATE: 2015.8.05
CHECKED: 林澤云	DATE: 2015.8.05
CO SIGNED: 徐軍博	DATE: 2015.8.05
APPROVED: Link	DATE: 2015.8.05

DWG. NO.	CBEC201-CB1CX
PART NO.	CBEC201-XX XX B001C1XX

TITLE:  
 Pitch1.27 Female Connector  
 SMC Type-B SMT Type High  
 6.20mm 180°

REV.	UNIT.	SCALE.	PAGE.
03	mm	1:1	1/1

