
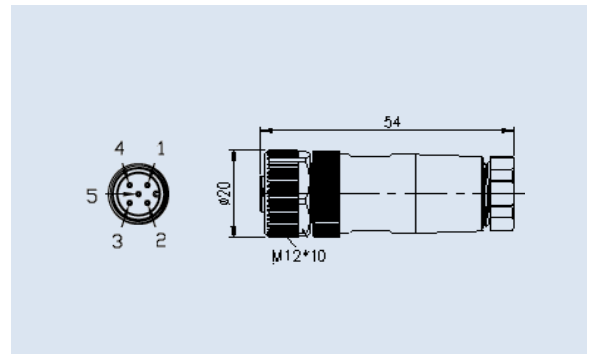
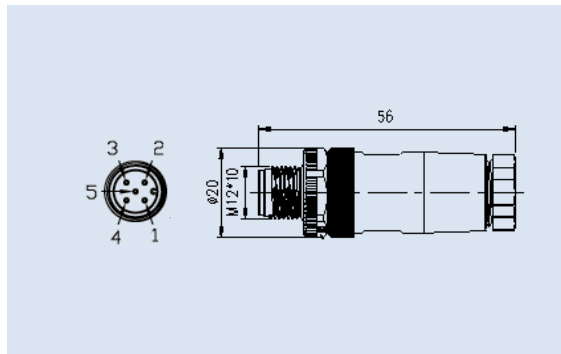


M12 A-Coding Series, Straight Assembly

Description	Male Assembly Type	Female Assembly Type
Figure		

Drawing



Part-No.	Male Assembly Type			Female Assembly Type		
	Contacts	Cable Range(mm)	Part-Number	Contacts	Cable Range(mm)	Part-Number
	3	4~6mm	ASM12AM03001	3	4~6mm	ASM12AF03001
		6~8mm	ASM12AM03002		6~8mm	ASM12AF03002
	4	4~6mm	ASM12AM04001	4	4~6mm	ASM12AF04001
		6~8mm	ASM12AM04002		6~8mm	ASM12AF04002
	5	4~6mm	ASM12AM05001	5	4~6mm	ASM12AF05001
		6~8mm	ASM12AM05002		6~8mm	ASM12AF05002
	8	4~6mm	ASM12AM08001	8	4~6mm	ASM12AF08001
		6~8mm	ASM12AM08002		6~8mm	ASM12AF08002
	12	4~6mm	ASM12AM12001	12	4~6mm	ASM12AF12001
		6~8mm	ASM12AM12002		6~8mm	ASM12AF12002

Specifications

Number of Contacts	3	4	5	8	12
Cable Range(mm)	4~6mm/6~8mm				
Contact Resistance	<10MΩ				
Environmental Protection	IP67/IP68				
Mechanical Life	100 mating cycles				
Operating Temperature	- 25℃ - 85℃				
Voltage Rating	250V	250V	60V	30V	30V
Rated Current(40℃)	4A			2A	1.5A