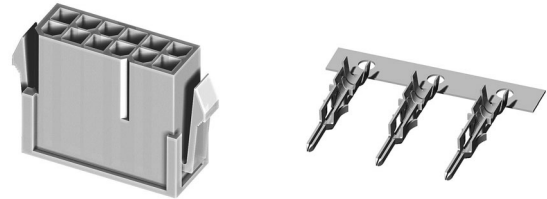


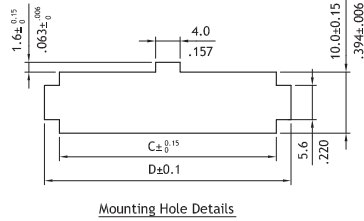
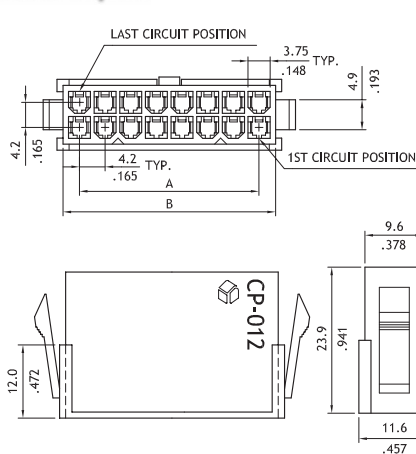
CP-012 Series Plug Connectors

- With mounting ears
- Available in 2 through 24 circuits
- Mates with CP-011 connector
- Nylon 66 UL 94V-0 or V-2 insulator material
- Can be used CP-012 crimp terminal
- Terminal accommodated AWG #16 ~ #28

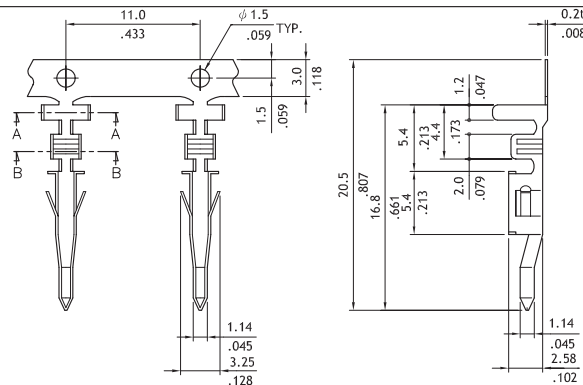
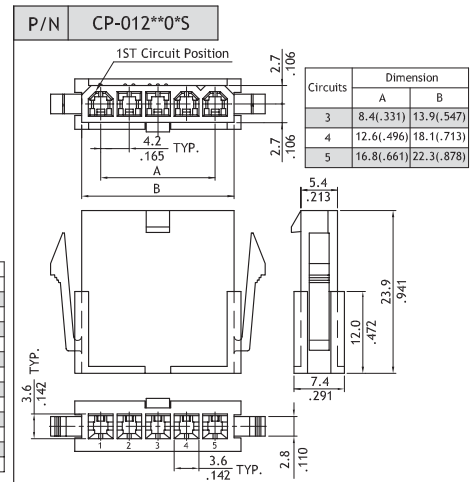


RoHS Compliant E159616

RoHS Compliant



| Circuits | Dimension | | | |
|----------|-------------|-------------|-------------|-------------|
| | A | B | C | D |
| 2 | | 5.7(.224) | 6.1(.240) | 11.1(.437) |
| 4 | 4.2(.165) | 9.9(.390) | 10.3(.406) | 15.3(.602) |
| 6 | 8.4(.331) | 14.1(.555) | 14.5(.571) | 19.5(.768) |
| 8 | 12.6(.496) | 18.3(.720) | 18.7(.736) | 23.7(.933) |
| 10 | 16.8(.661) | 22.5(.886) | 22.9(.902) | 27.9(1.098) |
| 12 | 21.0(.827) | 26.7(1.051) | 27.1(1.067) | 32.1(1.264) |
| 14 | 25.2(.992) | 30.9(1.217) | 31.4(1.236) | 36.3(1.429) |
| 16 | 29.4(1.157) | 35.1(1.382) | 35.6(1.402) | 40.5(1.594) |
| 18 | 33.6(1.322) | 39.3(1.547) | 39.8(1.567) | 44.7(1.760) |
| 20 | 37.8(1.487) | 43.5(1.713) | 44.0(1.732) | 48.9(1.925) |
| 22 | 42.0(1.652) | 47.7(1.878) | 48.2(1.898) | 53.1(2.091) |
| 24 | 46.2(1.817) | 51.9(2.043) | 52.4(2.063) | 57.3(2.256) |



| Part No. | Wire Range | Dimension | | | | Insulation Range | Material | Reel Qty |
|----------------|------------|-----------|-----------|-----------|------------|--------------------|---------------------------------------|-----------|
| | | C | D | E | F | | | |
| CP-01200*01 | AWG #22-26 | 3.4(.134) | 3.3(.130) | 2.5(.098) | 2.3(.091) | 0.9-1.8(.035-.071) | Brass | 5,000 PCS |
| CP-01200*02 | AWG #18-22 | 4.0(.158) | 4.5(.177) | 2.5(.098) | 2.3(.091) | 1.3-3.1(.051-.122) | Brass | 4,000 PCS |
| CP-01200*03 | AWG #22-26 | 3.4(.134) | 3.3(.130) | 2.5(.098) | 2.3(.091) | 0.9-1.8(.035-.071) | Phosphor Bronze | 5,000 PCS |
| CP-01200*04 | AWG #18-22 | 4.0(.158) | 4.5(.177) | 2.5(.098) | 2.3(.091) | 1.3-3.1(.051-.122) | Phosphor Bronze | 4,000 PCS |
| CP-01200*05 | AWG #16 | 4.0(.158) | 4.5(.177) | 2.8(.110) | 2.6(.102) | 1.8-3.1(.071-.122) | Brass | 4,000 PCS |
| CP-01200*06 | AWG #16 | 4.0(.158) | 4.5(.177) | 2.8(.110) | 2.6(.102) | 1.8-3.1(.071-.122) | Phosphor Bronze | 4,000 PCS |
| CP-01200*04-HC | AWG #18-22 | 4.0(.158) | 4.5(.177) | 2.5(.098) | 2.3(.091) | 1.3-3.1(.051-.122) | High electric conductive copper alloy | 4,000 PCS |
| CP-01200*06-HC | AWG #16 | 4.0(.158) | 4.5(.177) | 2.8(.110) | 2.6(.102) | 1.8-3.1(.071-.122) | High electric conductive copper alloy | 4,000 PCS |
| CP-01200*07-HC | AWG #28 | 2.3(.091) | 2.3(.091) | 1.8(.071) | 1.65(.065) | 0.90(.035) | High electric conductive copper alloy | 6,000 PCS |

Ordering Code

1 2 3 4 5 6
CP - 01 2 24 0 0 0

- 1 Series No.
- 2 Contact Type:
2= Plug

- 3 No of Circuits:
02 to 24 (Dual Row)
03 to 05 (Single Row)
- 4 Plating Code:
0=Non plating

- 5 Variation:
0= UL 94V-2 (with mounting ears)
1= UL 94V-2 (without mounting ears)
2= UL 94V-0 (with mounting ears)
3= UL 94V-0 (without mounting ears)
- 6 Other options:
0= Standard ; S=Single row
*Special options Consult manufacturer

CP-012 Series Plug Connectors

