

System CD - Technical Specifications

Testing Methods of Electronic Connectors Follow Below Military Standards

Dielectric Withstanding Voltage	- Per MIL-STD-1344A method 3001.1
Contact Resistance	- Per MIL-STD-1344A method 3002.1
Insulation Resistance	- Per MIL-STD-1344A method 3003.1
Solderability	- Per MIL-STD-202F method 208D

High Density D Subminiature Connector

Electrical:

Current rating: 1 Amp
 Dielectric Withstanding Voltage: 1000 VAC for one minute
 Contact Resistance: < 20 mΩ
 Insulation Resistance: > 5000MΩ
 Operating Temperature: -40°C ~ +105°C

Physical:

Insulator: Black, Glass Filled Polyester
 Flammability Rating: UL 94V-0
 Contacts: Copper alloy
 Contacts plating: Selective gold plating on surface contact area
 Please see ordering code for plating options

D Subminiature Connector

Electrical:

Current rating: 3 Amps
 Dielectric Withstanding Voltage: 1000 VAC for one minute
 Contact Resistance: < 20 mΩ
 Insulation Resistance: > 5000MΩ
 Operating Temperature: -40°C ~ +105°C

Physical:

Insulator: Black, Glass Filled Polyester
 Flammability Rating: UL 94V-0
 Contacts: Copper alloy
 Plating options:
 Contacts plating: Selective gold plating on surface contact area
 Please see ordering code for plating options

IDC D Subminiature Connector

Electrical:

Current rating: 1 Amp
 Dielectric Withstanding Voltage: 1000 VAC for one minute
 Contact Resistance: < 25 mΩ
 Insulation Resistance: > 5000MΩ
 Operating Temperature: -40°C ~ +105°C

Physical:

Insulator: Blue, Glass Filled Polyester
 Flammability Rating: UL 94V-0
 Contacts: Copper alloy
 Contacts plating: Selective gold plating on surface contact area
 Please see ordering code for plating options

D-Sub Shell Size

D-SUB CONNECTOR	HIGH DENSITY D-SUB CONNECTOR		SHELL SIZE
9 Positions	15 Positions	E	
15 Positions	26 Positions	A	
25 Positions	44 Positions	B	
37 Positions	62 Positions	C	
50 Positions	78 Positions	D	

D-Sub Printed Circuits Board Hole Patterns

9 Positions	25 Positions
15 Positions	37 Positions
50 Positions	

High Density D-Sub Straight DIP Solder Printed Circuits Board Hole Patterns

	Plug	Receptacle
15 Positions		
26 Positions		
44 Positions		
62 Positions		

High Density D-Sub Right Angle DIP Solder Printed Circuits Board Hole Patterns

	Plug	Receptacle
15 Positions		
26 Positions		
44 Positions		
62 Positions		

D-Sub Accessories

<p>P/N : CDHWE123000</p> <table border="1"> <thead> <tr> <th>Nº</th> <th>PART NO.</th> <th>DESCRIPTION</th> </tr> </thead> <tbody> <tr> <td>1</td> <td>CDHWE108S00</td> <td>ATTACHED SCREW</td> </tr> <tr> <td>2</td> <td>CDHW0001W00</td> <td>FLAT WASHER</td> </tr> <tr> <td>3</td> <td>CDHW0002W00</td> <td>SPLIT WASHER</td> </tr> <tr> <td>4</td> <td>CDHWE101N00</td> <td>NUT</td> </tr> </tbody> </table>	Nº	PART NO.	DESCRIPTION	1	CDHWE108S00	ATTACHED SCREW	2	CDHW0001W00	FLAT WASHER	3	CDHW0002W00	SPLIT WASHER	4	CDHWE101N00	NUT	<p>P/N : CDHWE124000</p> <table border="1"> <thead> <tr> <th>Nº</th> <th>PART NO.</th> <th>DESCRIPTION</th> </tr> </thead> <tbody> <tr> <td>1</td> <td>CDHWE108S00</td> <td>ATTACHED SCREW</td> </tr> <tr> <td>2</td> <td>CDHWE101N00</td> <td>NUT</td> </tr> </tbody> </table>	Nº	PART NO.	DESCRIPTION	1	CDHWE108S00	ATTACHED SCREW	2	CDHWE101N00	NUT	<p>P/N : CDHWE128000</p>
Nº	PART NO.	DESCRIPTION																								
1	CDHWE108S00	ATTACHED SCREW																								
2	CDHW0001W00	FLAT WASHER																								
3	CDHW0002W00	SPLIT WASHER																								
4	CDHWE101N00	NUT																								
Nº	PART NO.	DESCRIPTION																								
1	CDHWE108S00	ATTACHED SCREW																								
2	CDHWE101N00	NUT																								
<p>P/N : CDHWE110S00</p>	<p>P/N : CDHWE**S00</p> <table border="1"> <thead> <tr> <th>Part No.</th> <th>Dimension A</th> </tr> </thead> <tbody> <tr> <td>CDHWE101S00</td> <td>11.8(.465)</td> </tr> <tr> <td>CDHWE105S00</td> <td>12.7(.500)</td> </tr> <tr> <td>CDHWE106S00</td> <td>10.0(.394)</td> </tr> <tr> <td>CDHWE107S00</td> <td>17.8(.701)</td> </tr> </tbody> </table>	Part No.	Dimension A	CDHWE101S00	11.8(.465)	CDHWE105S00	12.7(.500)	CDHWE106S00	10.0(.394)	CDHWE107S00	17.8(.701)															
Part No.	Dimension A																									
CDHWE101S00	11.8(.465)																									
CDHWE105S00	12.7(.500)																									
CDHWE106S00	10.0(.394)																									
CDHWE107S00	17.8(.701)																									

D-Sub PCB Mounting Options

<p>O Riveted front and rear shell with ϕ 3.05mm Hole</p>	<p>C Riveted #4-40 UNC open nuts on rear shell DIM. L= 4.0mm (Standard)</p>	<p>D Riveted #4-40 UNC close ground stand-off on rear shell</p> <p>Stamped contact (DIM. L= 6.0 mm) Machined contact (DIM. L= 7.4 mm)</p>
<p>A Riveted #4-40 UNC close nuts on front shell DIM. L= 5.8mm (Standard)</p>	<p>F Riveted ground hooks with #4-40 UNC open</p>	<p>I Riveted ground tabs with #4-40 UNC open</p> <p>Stamped contact Machined contact</p>
<p>B Riveted #4-40 UNC open nuts on front shell DIM. L= 4.0mm (Standard)</p>	<p>G Riveted ground hooks pre-loaded #4-40 UNC Hex screws</p>	<p>J Assembly ground hooks by #4-40 UNC Hex screws</p> <p>Stamped contact Machined contact</p>

CD01 Series High Density Solder D-Sub

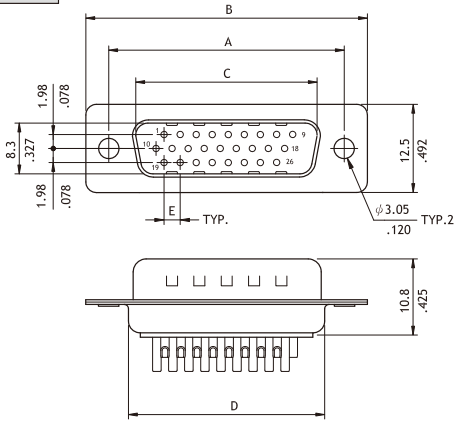
CD

- ⊙ Mate with high density D-Sub
- ⊙ With metal shell and solder contacts
- ⊙ Riveted Hex nuts options available



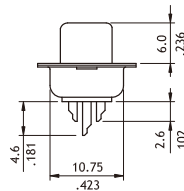
RoHS Compliant

P/N CD01**PA1**

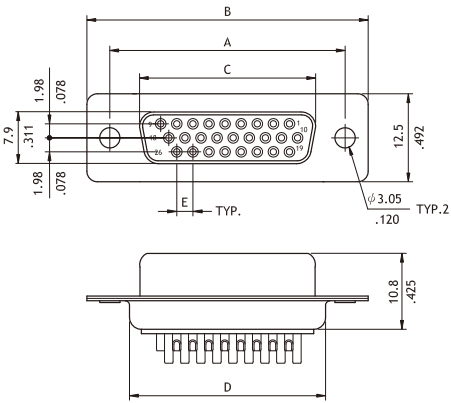


Plug Connector

Circuits	Dimension				
	A	B	C	D	E
15	25.0(.984)	30.8(1.213)	16.92(.666)	19.2(.756)	2.29(.090)
26	33.32(1.312)	39.2(1.543)	25.25(.994)	27.7(1.091)	2.29(.090)
44	47.04(1.852)	53.1(2.091)	38.96(1.534)	41.1(1.618)	2.29(.090)
62	63.5(2.500)	69.4(2.732)	55.42(2.182)	57.3(2.256)	2.41(.095)

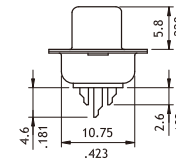


P/N CD01**SA1**



Receptacle connector

Circuits	Dimension				
	A	B	C	D	E
15	25.0(.984)	30.8(1.213)	16.3(.642)	19.3(.760)	2.29(.090)
26	33.32(1.312)	39.2(1.543)	24.6(.969)	27.7(1.091)	2.29(.090)
44	47.04(1.852)	53.1(2.091)	38.3(1.508)	41.1(1.618)	2.29(.090)
62	63.5(2.500)	69.4(2.732)	54.8(2.157)	57.3(2.256)	2.41(.095)



Ordering Code

①
②
③
④
⑤
⑥

CD01
15
P
A
1
00

① Series No.

② No. of Circuits: 15, 26, 44, 62

③ Connector Type: P = Plug
S = Receptacle

④ Plating Option: A = Selective Gold flash over Nickel
*Optional plating available but MOQ requested

⑤ Insulator Color: 1 = Black
*Optional insulator color consult manufacturer

⑥ Other Options:

00 = With ϕ 3.05mm holes on shell (Standard)

A0 = Riveted #4-40 UNC Close nuts on Front shell

B0 = Riveted #4-40 UNC Open nuts on Front shell

C0 = Riveted #4-40 UNC Open nuts on Rear shell

*Special options consult manufacturer

D-SUB CONNECTORS

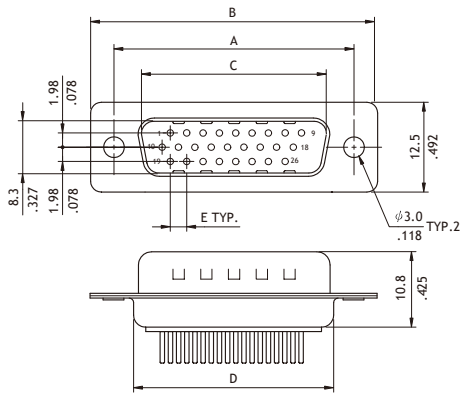
CD03 Series High Density Straight DIP Solder D-Sub

- ⊙ Mate with high density D-Sub
- ⊙ With metal shell and solder contacts
- ⊙ Optional riveted Hex nuts or ground stand-off

RoHS Compliant  

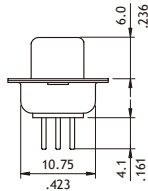


P/N CD03**PA1**

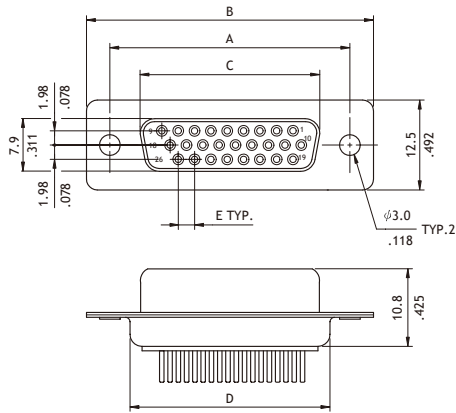


Plug Connector

Circuits	Dimension				
	A	B	C	D	E
15	25.0(.984)	30.8(1.213)	16.92(.666)	19.2(.756)	2.29(.090)
26	33.32(1.312)	39.2(1.543)	25.25(.994)	27.7(1.091)	2.29(.090)
44	47.04(1.852)	53.1(2.091)	38.96(1.534)	41.1(1.618)	2.29(.090)
62	63.5(2.500)	69.4(2.732)	55.42(2.182)	57.3(2.256)	2.41(.095)

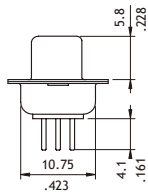


P/N CD03**SA1**



Receptacle connector

Circuits	Dimension				
	A	B	C	D	E
15	25.0(.984)	30.8(1.213)	16.3(.642)	19.2(.756)	2.29(.090)
26	33.32(1.312)	39.2(1.543)	24.6(.969)	27.7(1.091)	2.29(.090)
44	47.04(1.852)	53.1(2.091)	38.3(1.508)	41.1(1.618)	2.29(.090)
62	63.5(2.500)	69.4(2.732)	54.8(2.157)	57.3(2.256)	2.41(.095)



Ordering Code

① CD ② 03 ③ 15 ④ P ⑤ A ⑥ 1 00

- ① Series No.
- ② No. of Circuits: 15, 26, 44, 62
- ③ Connector Type: P = Plug
S = Receptacle
- ④ Plating Option: A = Selective Gold flash over Nickel
*Optional plating available but MOQ requested
- ⑤ Insulator Color: 1 = Black
*Optional insulator color consult manufacturer

- ⑥ Other Options:
00 = With ϕ 3.05mm holes on shell (Standard)
B0 = Riveted #4-40 UNC Open nuts on Front shell
C0 = Riveted #4-40 UNC Open nuts on Rear shell
D0 = Riveted #4-40 UNC Ground stand-off on Rear shell
*Special options consult manufacturer

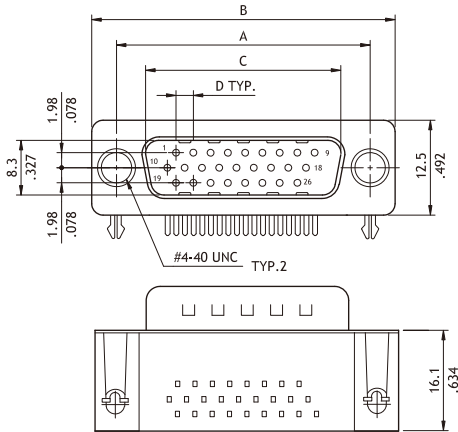
CD05 Series High Density Right Angle DIP Solder D-Sub

- ⊙ Mate with high density D-Sub
- ⊙ With metal shell and solder contacts
- ⊙ Riveted ground hooks or tab options



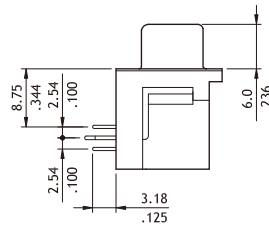
RoHS Compliant

P/N CD05**P*1**

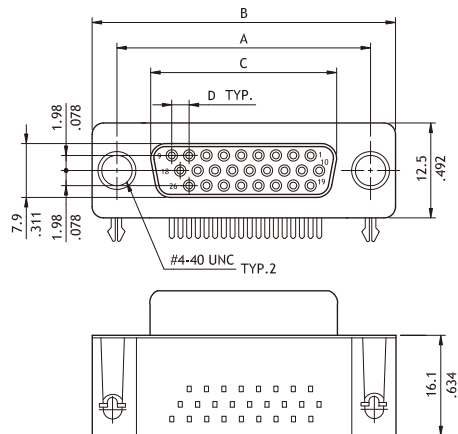


Plug Connector

Circuits	Dimension			
	A	B	C	D
15	25.0(1.984)	30.8(1.213)	16.92(.666)	2.29(.090)
26	33.32(1.312)	39.2(1.543)	25.25(.994)	2.29(.090)
44	47.04(1.852)	53.1(2.091)	38.96(1.534)	2.29(.090)

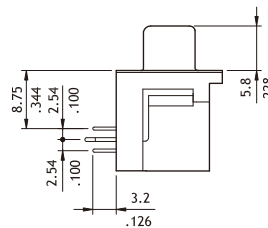


P/N CD05**S*1**



Receptacle connector

Circuits	Dimension			
	A	B	C	D
15	25.0(.984)	30.8(1.213)	16.3(.642)	2.29(.090)
26	33.32(1.312)	39.2(1.543)	24.6(.969)	2.29(.090)
44	47.04(1.852)	53.1(2.091)	38.3(1.508)	2.29(.090)



Ordering Code

① CD 05 ② 15 ③ P ④ 2 ⑤ 1 ⑥ F0

- ① Series No.
- ② No. of Circuits: 15, 26, 44
- ③ Connector Type: P = Plug , S = Receptacle
- ④ Plating Option: 2 = Gold flash over Nickel
A = Selective Gold flash over Nickel
*Optional plating available but MOQ requested
- ⑤ Insulator Color: 1 = Black
*Optional insulator color consult manufacturer

- ⑥ Other Options:
F0 = Riveted ground hooks with #4-40 UNC Open (Standard)
I0 = Riveted ground tabs thread #4-40 UNC Open and ground tabs with ϕ 3.2mm holes
J0 = Assmely ground hooks by #4-40 UNC Hex screws
G0 = Riveted ground hooks pre-loaded #4-40 UNC Hex screws
*Special options consult manufacturer

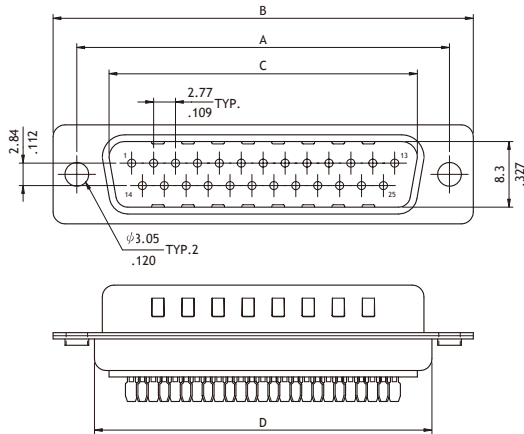
CD51 Series Solder D-Sub

- Mate with standard D-Sub
- With metal shell and solder contacts
- Riveted Hex nuts options available



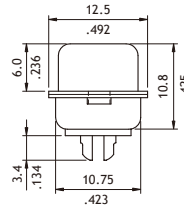
RoHS Compliant

P/N CD51**PA1**

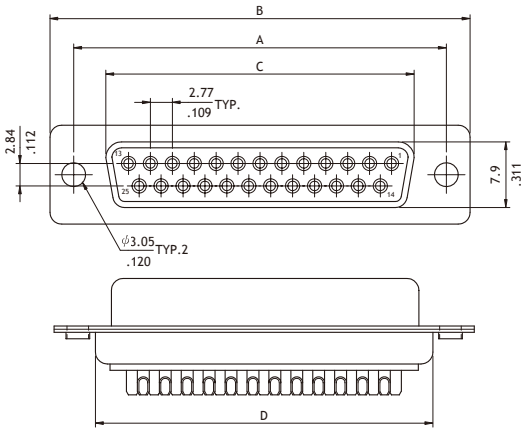


Plug Connector

Circuits	Dimension			
	A	B	C	D
9	25.0(.984)	30.8(1.213)	16.92(.666)	19.2(.756)
15	33.32(1.312)	39.2(1.543)	25.25(.994)	27.7(1.091)
25	47.04(1.852)	53.1(2.091)	38.96(1.534)	41.1(1.618)
37	63.5(2.500)	69.4(2.732)	55.42(2.182)	57.3(2.256)

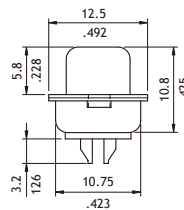


P/N CD51**SA1**



Receptacle Connector

Circuits	Dimension			
	A	B	C	D
9	25.0(.984)	30.8(1.213)	16.3(.642)	19.2(.756)
15	33.32(1.312)	39.2(1.543)	24.6(.969)	27.7(1.091)
25	47.04(1.852)	53.1(2.091)	38.3(1.508)	41.1(1.618)
37	63.5(2.500)	69.4(2.732)	54.8(2.157)	57.3(2.256)



Ordering Code

① CD ② 51 ③ P ④ A ⑤ 1 ⑥ 00

- ① Series No.
- ② No. of Circuits: 09, 15, 25, 37
- ③ Connector Type: P = Plug
S = Receptacle
- ④ Plating Option: A = Selective Gold flash over Nickel
*Optional plating available but MOQ requested
- ⑤ Insulator Color: 1 = Black
*Optional insulator color consult manufacturer

- ⑥ Other Options:
00 = With $\phi 3.05$ mm holes on shell (Standard)
A0 = Riveted #4-40 UNC Close nuts on Front shell
B0 = Riveted #4-40 UNC Open nuts on Front shell
C0 = Riveted #4-40 UNC Open nuts on Rear shell
*Special options consult manufacturer

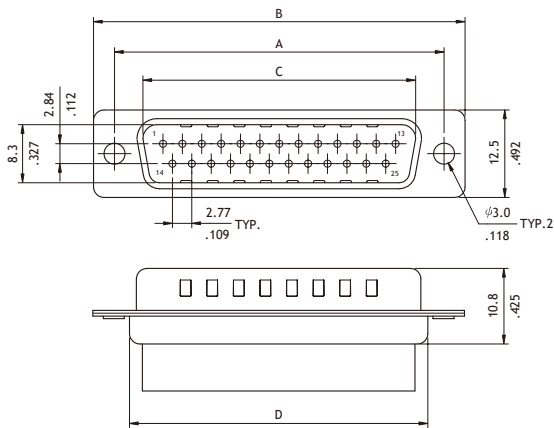
CD52 Series Crimp Clip D-Sub

- ⊙ Mate with standard D-Sub
- ⊙ Riveted Hex nuts options available



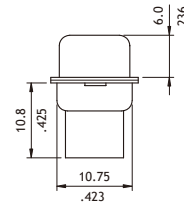
RoHS Compliant

P/N CD52**P01**

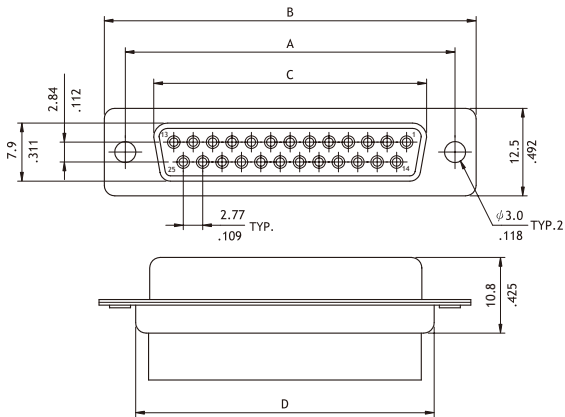


Plug Connector

Circuits	Dimension			
	A	B	C	D
9	25.0(.984)	30.8(1.213)	16.92(.666)	19.2(.756)
15	33.32(1.312)	39.2(1.543)	25.25(.994)	27.7(1.091)
25	47.04(1.852)	53.1(2.091)	38.96(1.534)	41.1(1.618)
37	63.5(2.500)	69.4(2.732)	55.42(2.182)	57.3(2.256)

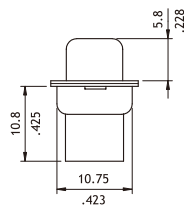


P/N CD52**S01**



Receptacle Connector

Circuits	Dimension			
	A	B	C	D
9	25.0(.984)	30.8(1.213)	16.3(.642)	19.2(.756)
15	33.32(1.312)	39.2(1.543)	24.6(.969)	27.7(1.091)
25	47.04(1.852)	53.1(2.091)	38.3(1.508)	41.1(1.618)
37	63.5(2.500)	69.4(2.732)	54.8(2.157)	57.3(2.256)



Ordering Code

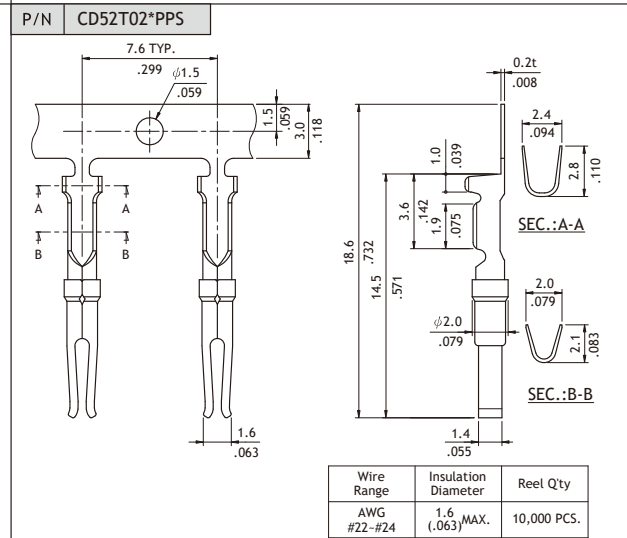
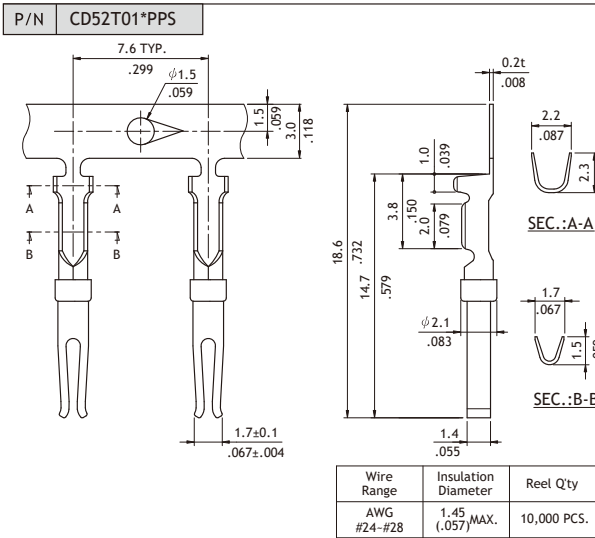
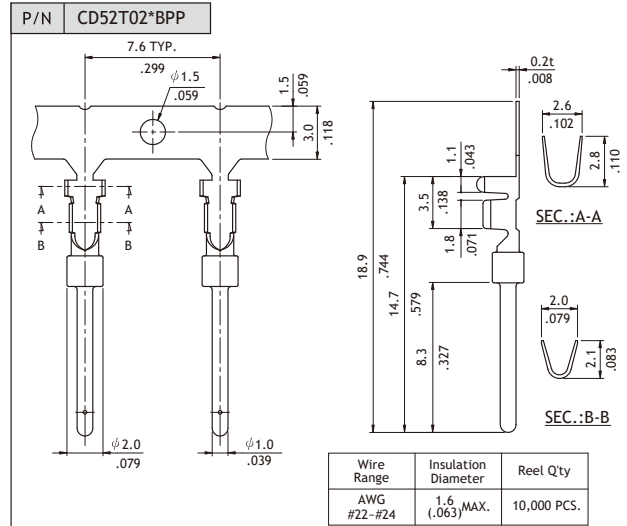
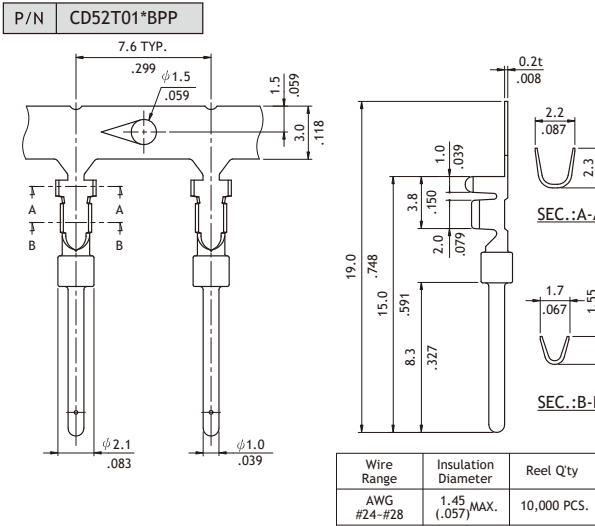
① CD ② 52 ③ P0 ④ 1 ⑤ 00

- ① Series No.
- ② No. of Circuits: 09, 15, 25, 37
- ③ Connector Type: P0 = Plug
S0 = Receptacle
- ④ Insulator Color: 1 = Black
*Optional insulator color consult manufacturer
- ⑤ Other Options:
00 = With ϕ 3.05mm holes on shell (Standard)
A0 = Riveted #4-40 UNC Close nuts on Front shell
B0 = Riveted #4-40 UNC Open nuts on Front shell
C0 = Riveted #4-40 UNC Open nuts on Rear shell
*Special options consult manufacturer

CD52 Series Crimp Clip Terminal

- ⊙ Mate with CvILux CD52 D-Sub
- ⊙ Low insertion force

RoHS Compliant



Ordering Code

① CD52 ② T01 ③ A ④ B ⑤ P P

- ① Series No.
- ② No. of Circuits:
T01 = for AWG #24 ~ #28
T02 = for AWG #22 ~ #24
- ③ Plating Code:
A = Selective Gold flash over Nickel
*Optional plating available but MOQ requested
- ④ Material: B = Brass (Plug)
P = Phosphor Bronze (Receptacle)
- ⑤ Type: PP = Plug Terminal
PS = Receptacle Terminal

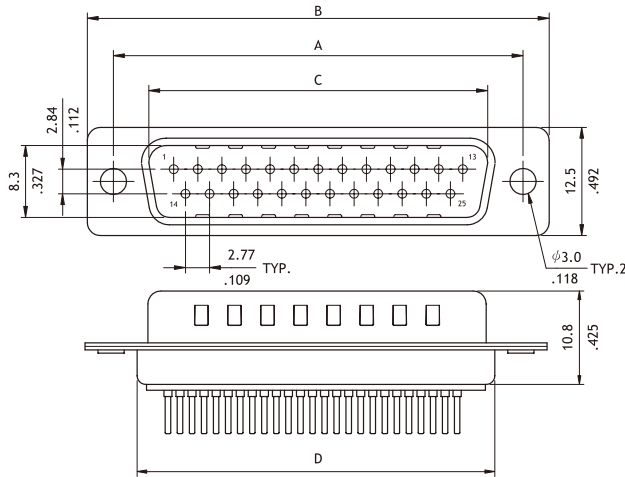
CD53 Series Straight DIP Solder D-Sub

- ⊙ Mate with standard D-Sub
- ⊙ With metal shell and solder contacts
- ⊙ Riveted Hex nuts options available



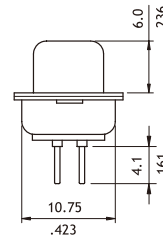
RoHS Compliant

P/N CD53**PA1**

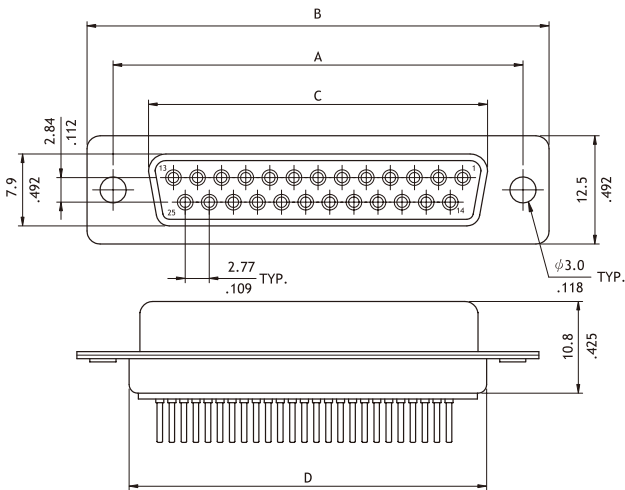


Plug Connector

Circuits	Dimension			
	A	B	C	D
9	25.0(.984)	30.8(1.213)	16.92(.666)	19.2(.756)
15	33.32(1.312)	39.2(1.543)	25.25(.994)	27.7(1.091)
25	47.04(1.852)	53.1(2.091)	38.96(1.534)	41.1(1.618)
37	63.5(2.500)	69.4(2.732)	55.42(2.182)	57.3(2.256)

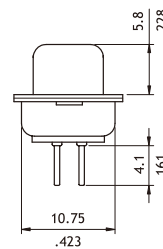


P/N CD53**SA1**



Receptacle Connector

Circuits	Dimension			
	A	B	C	D
9	25.0(.984)	30.8(1.213)	16.3(.642)	19.2(.756)
15	33.32(1.312)	39.2(1.543)	24.6(.969)	27.7(1.091)
25	47.04(1.852)	53.1(2.091)	38.3(1.508)	41.1(1.618)
37	63.5(2.500)	69.4(2.732)	54.8(2.157)	57.3(2.256)



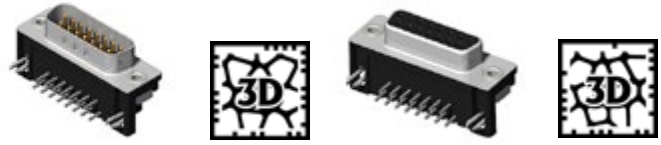
Ordering Code

① CD ② 53 ③ 25 ④ P ⑤ 2 ⑥ 1 00

- ① Series No.
- ② No. of Circuits: 09, 15, 25, 37
- ③ Connector Type: P = Plug (Male)
S = Receptacle (Female)
- ④ Plating Option:
2 = Gold flash over Nickel
A = Selective Gold flash over Nickel
*Optional plating available but MOQ requested
- ⑤ Insulator Color: 1 = Black
*Optional insulator color consult manufacturer
- ⑥ Other Options:
00 = With $\phi 3.05\text{mm}$ holes on shell (Standard)
B0 = Riveted #4-40 UNC Open nuts on Front shell
C0 = Riveted #4-40 UNC Open nuts on Rear shell
D0 = Riveted #4-40 UNC Ground stand-off on Rear shell
*Special options consult manufacturer

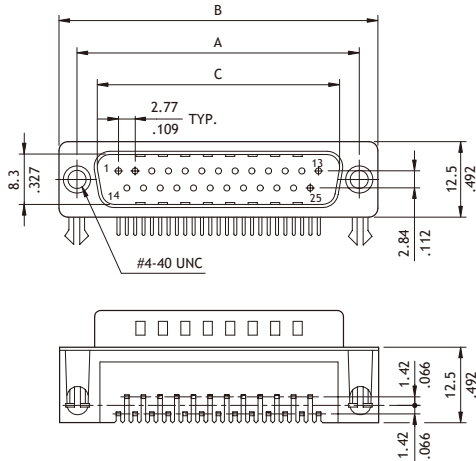
CD61 Series 8.10mm Footprint Right Angle DIP Solder D-Sub

- ⊙ Mate with standard D-Sub
- ⊙ With metal shell and solder contacts
- ⊙ Ground hooks or ground tabs available



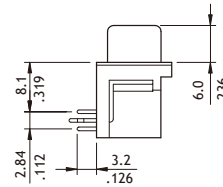
RoHS Compliant

P/N CD61**P*1**

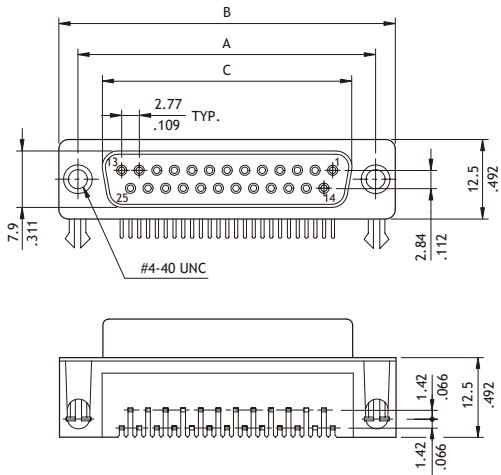


Plug Connector

Circuits	Dimension		
	A	B	C
9	25.0(.984)	30.8(1.213)	16.92(.666)
15	33.32(1.312)	39.2(1.543)	25.25(.994)
25	47.04(1.852)	53.1(2.091)	38.96(1.534)
37	63.5(2.500)	69.4(2.732)	55.42(2.182)

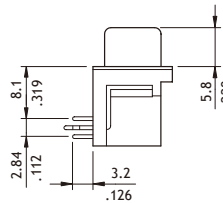


P/N CD61**S*1**



Receptacle Connector

Circuits	Dimension		
	A	B	C
9	25.0(.984)	30.8(1.213)	16.3(.642)
15	33.32(1.312)	39.2(1.543)	24.6(.969)
25	47.04(1.852)	53.1(2.091)	38.3(1.508)
37	63.5(2.500)	69.4(2.732)	54.8(2.157)



Ordering Code

① CD ② 6 ③ 1 ④ 25 ⑤ P ⑥ 2 ⑦ 1 ⑧ F ⑨ 0

- ① Series No.
- ② No. of Circuits: 09, 15, 25, 37
- ③ Connector Type: P = Plug
S = Receptacle
- ④ Plating Option:
2 = Gold flash over Nickel
A = Selective Gold flash over Nickel
*Optional plating available but MOQ requested
- ⑤ Insulator Color: 1 = Black
*Optional insulator color consult manufacturer
- ⑥ Other Options:
F0 = Riveted ground hooks with #4-40 UNC Open (Standard)
J0 = Assembly ground hooks by #4-40 UNC Hex screws
G0 = Riveted ground hooks pre-loaded #4-40 UNC Hex screws
*Special options consult manufacturer

CD62 Series 8.10mm Footprint EMI Right Angle DIP Solder D-Sub

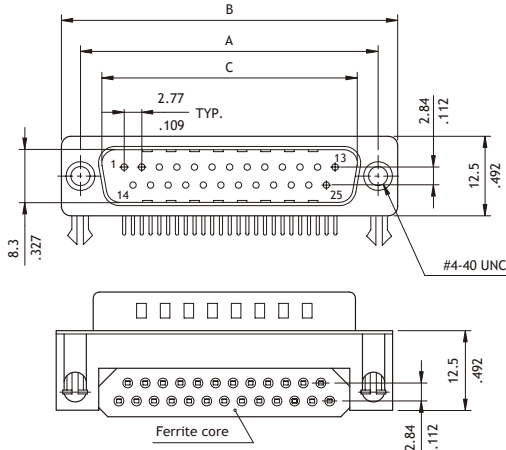
CD

- ⊙ Mate with standard D-Sub
- ⊙ With ferrite core
- ⊙ Optional ground hooks or ground tabs

RoHS Compliant

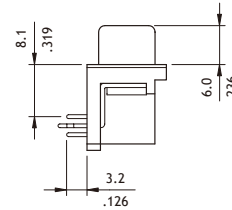


P/N CD62**P*1**

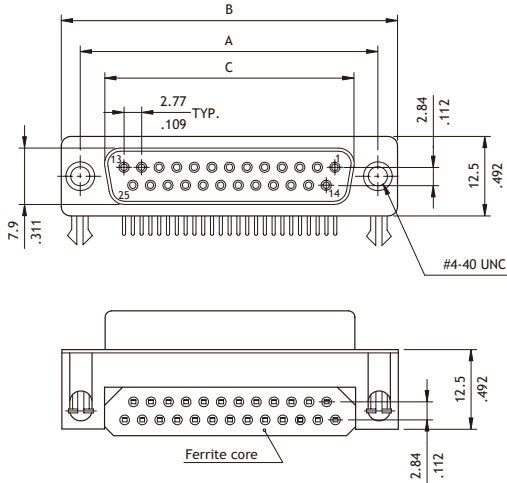


Plug Connector

Circuits	Dimension		
	A	B	C
9	25.0(.984)	30.8(1.213)	16.92(.666)
15	33.32(1.312)	39.2(1.543)	25.25(.994)
25	47.04(1.852)	53.1(2.087)	38.96(1.534)
37	63.5(2.500)	69.4(2.732)	55.42(2.182)

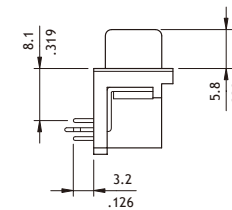


P/N CD62**S*1**



Receptacle Connector

Circuits	Dimension		
	A	B	C
9	25.0(.984)	30.8(1.213)	16.3(.642)
15	33.32(1.312)	39.2(1.543)	24.6(.969)
25	47.04(1.852)	53.1(2.091)	38.3(1.508)
37	63.5(2.500)	69.4(2.732)	54.8(2.157)



Ordering Code

① CD ② 62 ③ 25 ④ P ⑤ 2 ⑥ 1 F 0

- ① Series No.
- ② No. of Circuits: 09, 15, 25, 37
- ③ Connector Type: P = Plug
S = Receptacle
- ④ Plating Option:
2 = Gold flash over Nickel
*Optional plating available but MOQ requested
- ⑤ Insulator Color: 1 = Black
- ⑥ Other Options:
F0 = Riveted ground hooks with #4-40 UNC Open (Standard)
I0 = Riveted ground tabs thread #4-40 UNC Open and ground tabs with ϕ 3.2mm holes
J0 = Assembly ground hooks by #4-40 UNC Hex screws
G0 = Riveted ground hooks pre-loaded #4-40 UNC Hex screws
*Special options consult manufacturer

D-SUB CONNECTORS

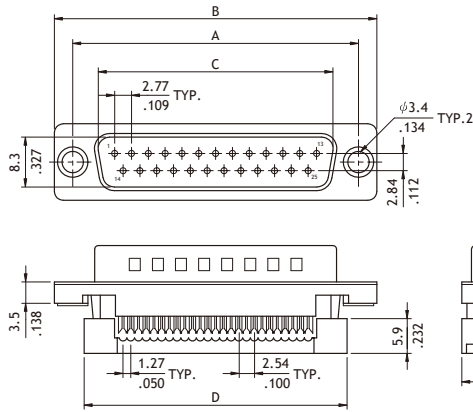
CD91 Series Flat Cable - IDC D-Sub

- ⊙ Mate with standard D-Sub and CW03
- ⊙ Flat Ribbon Cable
- ⊙ $\phi 3.4$ mm holes or riveted insert nuts available

RoHS Compliant

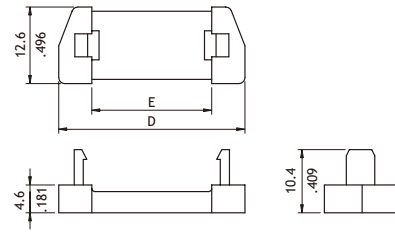


P/N CD91**PA***



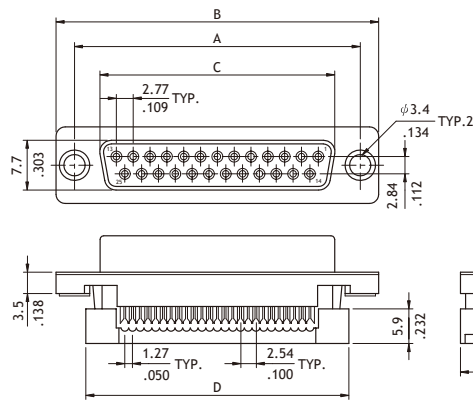
Plug Connector

Circuits	Dimension				
	A	B	C	D	E
9	25.0(.984)	30.8(1.213)	16.92(.666)	22.4(.882)	12.08(.476)
15	33.3(1.311)	39.2(1.543)	25.25(.994)	30.8(1.213)	19.7(.776)
25	47.1(1.854)	53.1(2.091)	38.96(1.534)	44.5(1.752)	32.4(1.276)
37	63.5(2.500)	69.4(2.732)	55.42(2.182)	61.4(2.417)	47.72(1.879)



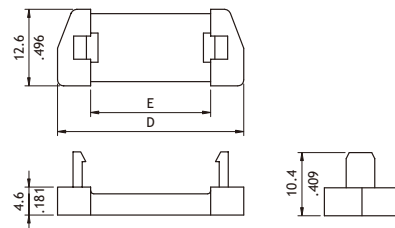
Strain relief

P/N CD91**SA***



Receptacle Connector

Circuits	Dimension				
	A	B	C	D	E
9	25.0(.984)	30.8(1.213)	16.3(.642)	22.4(.882)	12.08(.476)
15	33.3(1.311)	39.2(1.543)	24.6(.969)	30.8(1.213)	19.7(.776)
25	47.1(1.854)	53.1(2.091)	38.3(1.508)	44.5(1.752)	32.4(1.276)
37	63.5(2.500)	69.4(2.732)	54.8(2.157)	61.4(2.417)	47.72(1.879)



Strain relief

Ordering Code

① CD91 ② 25 ③ P ④ A ⑤ 1 ⑥ S0

- ① Series No.
- ② No. of Circuits: 09, 15, 25, 37
- ③ Connector Type: P = Plug
S = Receptacle
- ④ Plating Option: A = Selective Gold flash over Nickel
*Optional plating available but MOQ requested
- ⑤ Insulator Color: 1 = Black
7 = Blue

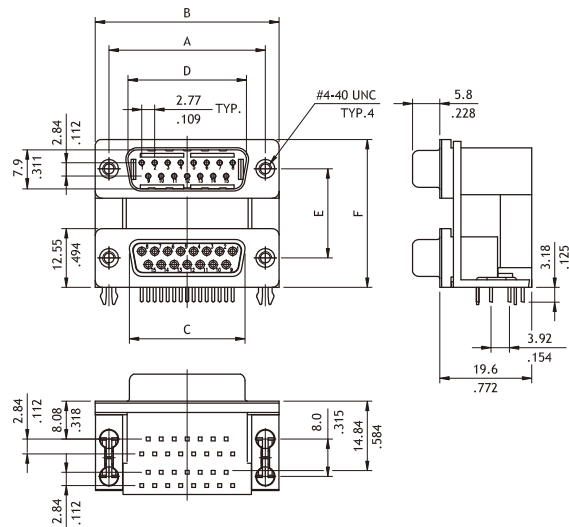
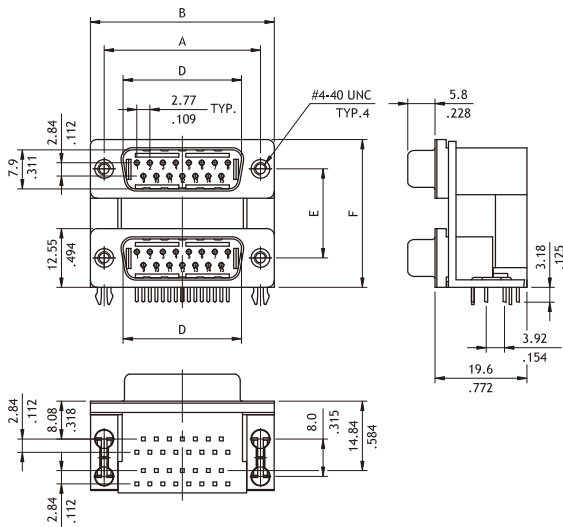
- ⑥ Other Options:
S0 = Metal shell with $\phi 3.4$ mm holes with S/R (Standard)
S1 = Metal shell #4-40 UNC insert nuts with S/R
*Special options consult manufacturer

CD81 Series Stacked Right Angle DIP Solder D-Sub

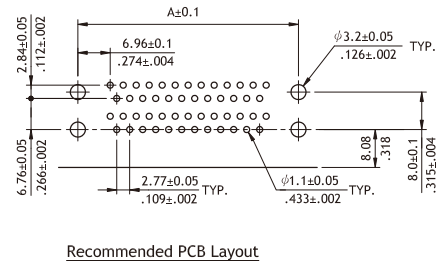
- ⊙ Mate with standard D-Sub
- ⊙ With metal shell and solder tails
- ⊙ Optional row spacing and position
- ⊙ In various pin configuration



RoHS Compliant



CVILUX P/N	Dimension					
	A	B	C	D	E	F
CD81V1SS*A*	24.99(.984)	30.81(1.213)	16.33(.643)	16.92(.666)	15.88(.625)	28.43(1.119)
CD81V2SS*A*	33.32(1.312)	39.19(1.543)	24.66(.971)	25.25(.994)		
CD81V3SS*A*	47.04(1.852)	53.04(2.088)	38.38(1.511)	38.96(1.534)		
CD81V7SS*A*	63.50(2.500)	69.32(2.729)	54.84(2.159)	55.42(2.182)		
CD81V1SS*B*	24.99(.984)	30.81(1.213)	16.33(.643)	16.92(.666)	19.05(.750)	31.60(1.244)
CD81V2SS*B*	33.32(1.312)	39.19(1.543)	24.66(.971)	25.25(.994)		
CD81V3SS*B*	47.04(1.852)	53.04(2.088)	38.38(1.511)	38.96(1.534)		
CD81V7SS*B*	63.50(2.500)	69.32(2.729)	54.84(2.159)	55.42(2.182)		
CD81V1SS*C*	24.99(.984)	30.81(1.213)	16.33(.643)	16.92(.666)	22.86(.900)	35.41(1.394)
CD81V2SS*C*	33.32(1.312)	39.19(1.543)	24.66(.971)	25.25(.994)		
CD81V3SS*C*	47.04(1.852)	53.04(2.088)	38.38(1.511)	38.96(1.534)		
CD81V7SS*C*	63.50(2.500)	69.32(2.729)	54.84(2.159)	55.42(2.182)		



Ordering Code

① CD ② 81 ③ V1 ④ PP ⑤ A A ⑥ C

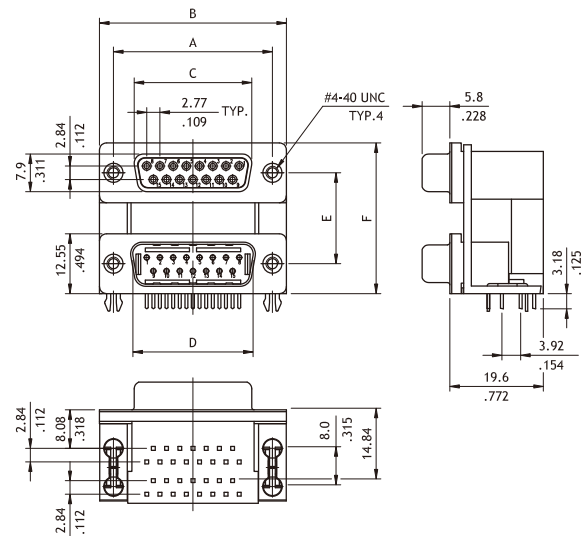
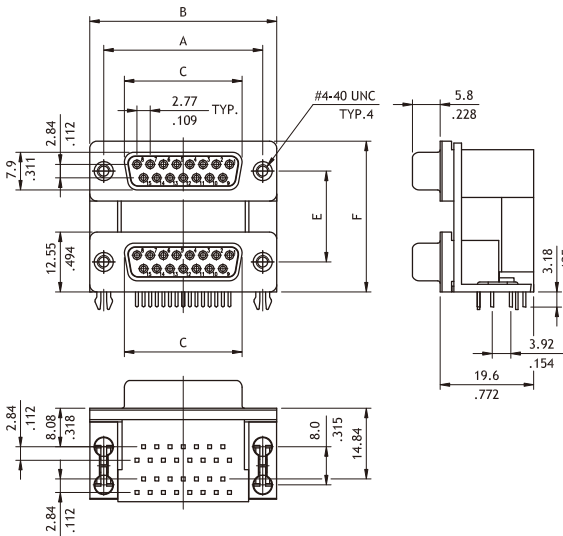
- ① Series No.
- ② Contacts configuration:
V1 = 9 to 9, V2 = 15 to 15
V3 = 25 to 25, V4 = 9 to 25
V5 = 25 to 9, V6 = 25 to 15
V7 = 37 to 37
- ③ Connector Type: PP = Plug to plug
PS = Plug to receptacle
- ④ Plating Options: A = Selective Gold flash over Nickel
*Optional plating available but MOQ requested
- ⑤ Row Spacing: A: DIM.E = 15.88mm, B: DIM.E = 19.05mm
C: DIM.E = 22.86mm
- ⑥ Other Options:
C = Riveted ground hooks with #4-40 UNC open (Standard)
S = Riveted ground hooks pre-loaded #4-40 UNC Hex screws
*Special options consult manufacturer

CD81 Series Stacked Right Angle DIP Solder D-Sub

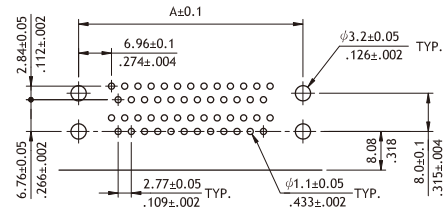
- ⊙ Mate with standard D-Sub
- ⊙ With metal shell and solder tails
- ⊙ Optional row spacing and position
- ⊙ In various pin configuration



RoHS Compliant



CVLUX P/N	Dimension					
	A	B	C	D	E	F
CD81V1SS*A*	24.99(.984)	30.81(1.213)	16.33(.643)	16.92(.666)		
CD81V2SS*A*	33.32(1.312)	39.19(1.543)	24.66(.971)	25.25(.994)		
CD81V3SS*A*	47.04(1.852)	53.04(2.088)	38.38(1.511)	38.96(1.534)	15.88(.625)	28.43(1.119)
CD81V7SS*A*	63.50(2.500)	69.32(2.729)	54.84(2.159)	55.42(2.182)		
CD81V1SS*B*	24.99(.984)	30.81(1.213)	16.33(.643)	16.92(.666)		
CD81V2SS*B*	33.32(1.312)	39.19(1.543)	24.66(.971)	25.25(.994)	19.05(.750)	31.60(1.244)
CD81V3SS*B*	47.04(1.852)	53.04(2.088)	38.38(1.511)	38.96(1.534)		
CD81V7SS*B*	63.50(2.500)	69.32(2.729)	54.84(2.159)	55.42(2.182)		
CD81V1SS*C*	24.99(.984)	30.81(1.213)	16.33(.643)	16.92(.666)		
CD81V2SS*C*	33.32(1.312)	39.19(1.543)	24.66(.971)	25.25(.994)	22.86(.900)	35.41(1.394)
CD81V3SS*C*	47.04(1.852)	53.04(2.088)	38.38(1.511)	38.96(1.534)		
CD81V7SS*C*	63.50(2.500)	69.32(2.729)	54.84(2.159)	55.42(2.182)		



Recommended PCB Layout

Ordering Code

① CD ② 81 ③ V1 ④ SS ⑤ A A ⑥ C

- ① Series No.
- ② Contacts configuration:
 V1 = 9 to 9, V2 = 15 to 15
 V3 = 25 to 25, V4 = 9 to 25
 V5 = 25 to 9, V6 = 25 to 15
 V7 = 37 to 37
- ③ Connector Type: SS = Receptacle to receptacle
 SP = Receptacle to plug
- ④ Plating Options: A = Selective Gold flash over Nickel
 *Optional plating available but MOQ requested
- ⑤ Row Spacing: A: DIM.E = 15.88mm, B: DIM.E = 19.05mm
 C: DIM.E = 22.86mm
- ⑥ Other Options:
 C = Riveted ground hooks with #4-40 UNC open (Standard)
 S = Riveted ground hooks pre-loaded #4-40 UNC Hex screws
 *Special options consult manufacturer

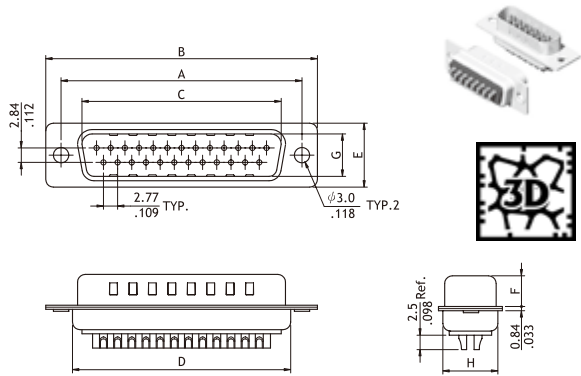
CD71 Series Machined Contact Solder Cup D-Sub

CD

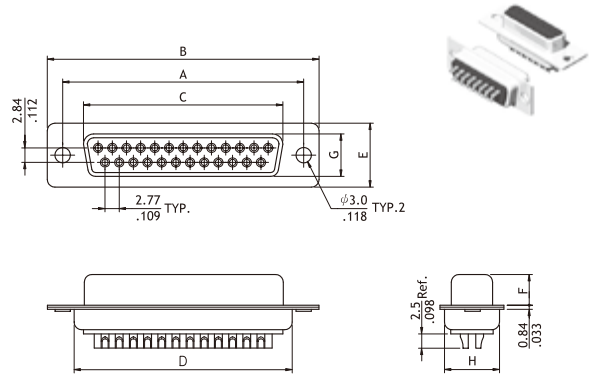
- ⊙ Mate with standard D-Sub
- ⊙ With metal shell and solder tails
- ⊙ Riveted Hex nuts or hardware accessories options available

RoHS Compliant 

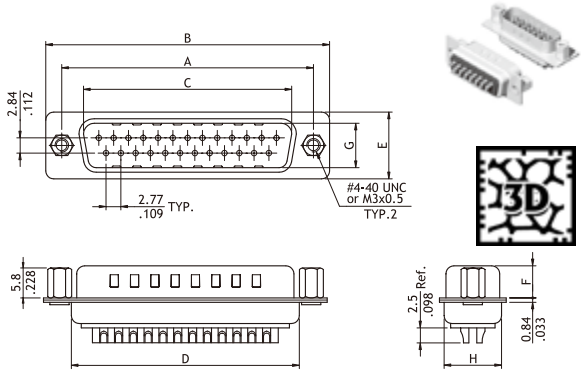
Plug Connector (00 Type)



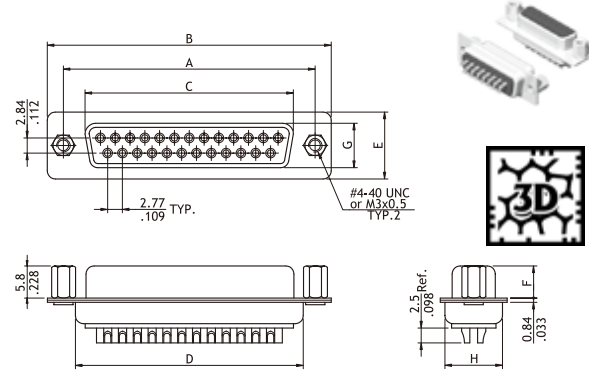
Receptacle Connector (00 Type)



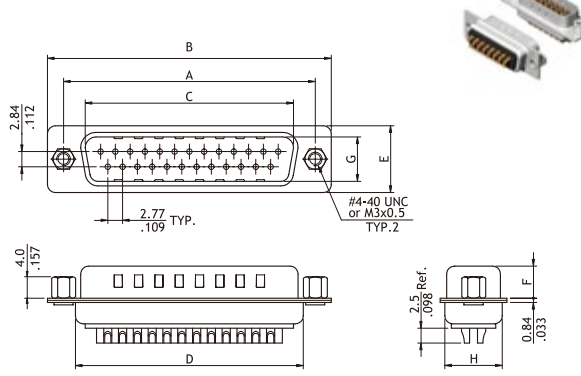
Plug Connector (A0/A1 Type)



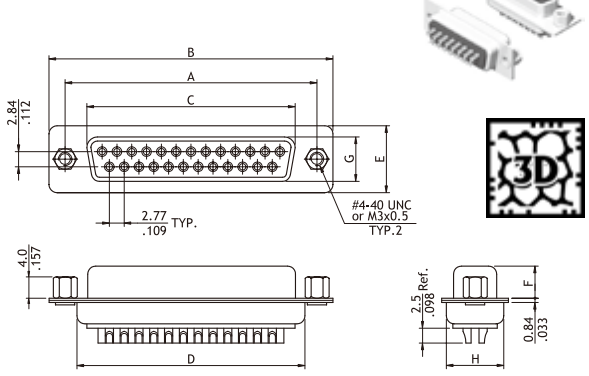
Receptacle Connector (A0/A1 Type)



Plug Connector (B0/B1 Type)

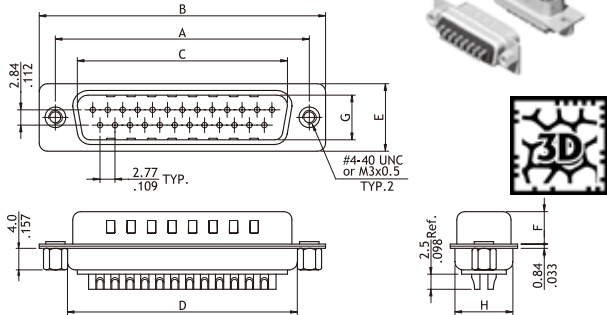


Receptacle Connector (B0/B1 Type)

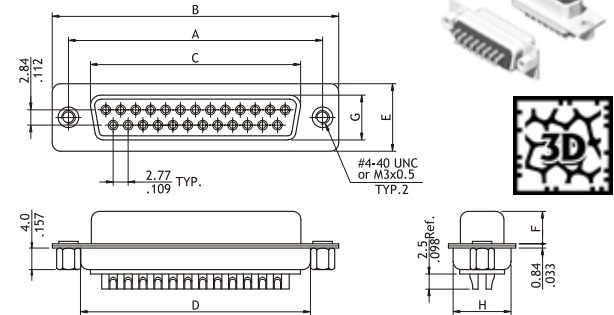


CD71 Series Machined Contact Solder Cup D-Sub

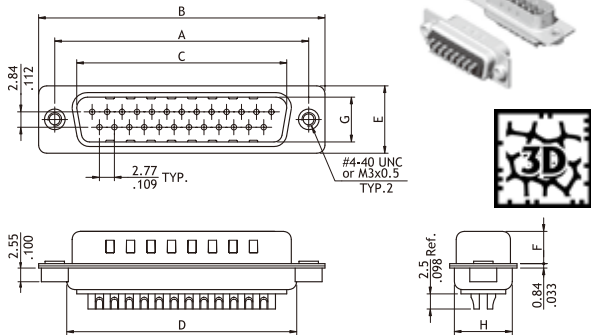
Plug Connector (C0/C1 Type)



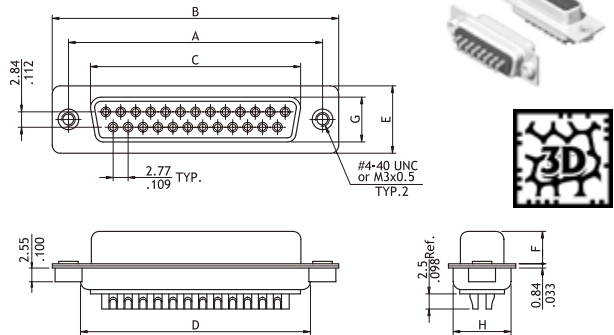
Receptacle Connector (C0/C1 Type)



Plug Connector (K0/K1 Type)



Receptacle Connector (K0/K1 Type)



Circuits	Connector Type	Dimension							
		A	B	C	D	E	F	G	H
9	Plug	25.0(.984)	30.8(1.213)	16.92(.666)	19.2(.756)	12.5(.492)	6.0(.236)	8.3(.327)	10.75(.423)
	Receptacle	25.0(.984)	30.8(1.213)	16.30(.642)	19.2(.756)	12.5(.492)	5.8(.228)	7.9(.311)	10.75(.423)
15	Plug	33.32(1.312)	39.2(1.543)	25.25(.994)	27.6(1.087)	12.5(.492)	6.0(.236)	8.3(.327)	10.75(.423)
	Receptacle	33.32(1.312)	39.2(1.543)	24.6(.969)	27.6(1.087)	12.5(.492)	5.8(.228)	7.9(.311)	10.75(.423)
25	Plug	47.04(1.852)	53.1(2.091)	38.96(1.534)	41.1(1.618)	12.5(.492)	6.0(.236)	8.3(.327)	10.75(.423)
	Receptacle	47.04(1.852)	53.1(2.091)	38.3(1.508)	41.1(1.618)	12.5(.492)	5.8(.228)	7.9(.311)	10.75(.423)
37	Plug	63.5(2.500)	69.4(2.732)	55.42(2.182)	57.3(2.256)	12.5(.492)	6.0(.236)	8.3(.327)	10.75(.423)
	Receptacle	63.5(2.500)	69.4(2.732)	54.80(2.157)	57.3(2.256)	12.5(.492)	5.8(.228)	7.9(.311)	10.75(.423)
50	Plug	61.0(2.242)	69.4(2.732)	52.81(2.079)	55.0(2.169)	15.3(.602)	6.0(.236)	11.1(.473)	13.35(.526)
	Receptacle	61.0(2.242)	69.4(2.732)	52.2(2.055)	55.0(2.169)	15.3(.602)	5.8(.228)	10.9(.429)	13.35(.526)

Ordering Code

① ② ③ ④ ⑤ ⑥
CD71 25 P 2 1 00

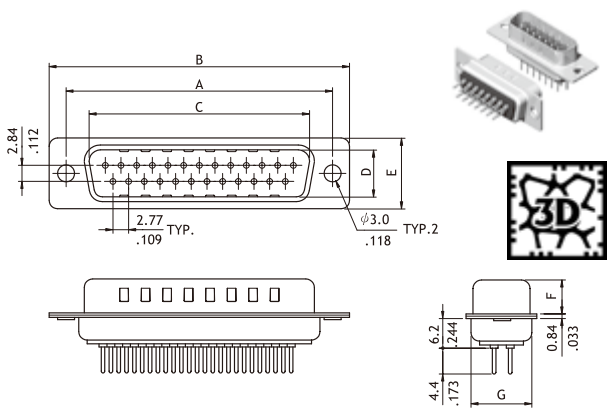
- ① Series No.
- ② No. of Circuits: 09, 15, 25, 37, 50
- ③ Connector Type: P = Plug (Male)
S = Receptacle (Female)
- ④ Plating Option: 2 = Gold flash over Nickel
*Optional plating available but MOQ requested
- ⑤ Insulator Color: 1 = Black
*Optional insulator color consult manufacturer
- ⑥ Other Options:
 00 = With ϕ 3.0mm holes on shell (Standard)
 A0 = Riveted #4-40 UNC Close nuts on Front shell
 A1 = Riveted M3x0.5 Close nuts on Front shell
 B0 = Riveted #4-40 UNC Open nuts on Front shell
 B1 = Riveted M3x0.5 Open nuts on Front shell
 C0 = Riveted #4-40 UNC Open nuts on Rear shell
 C1 = Riveted M3x0.5 Open nuts on Rear shell
 K0 = Riveted #4-40 UNC Open nuts on Rear shell
 K1 = Riveted M3x0.5 Open nuts on Rear shell
 *Special options consult manufacturer

CD72 Series Machined Contact Straight DIP Solder D-Sub

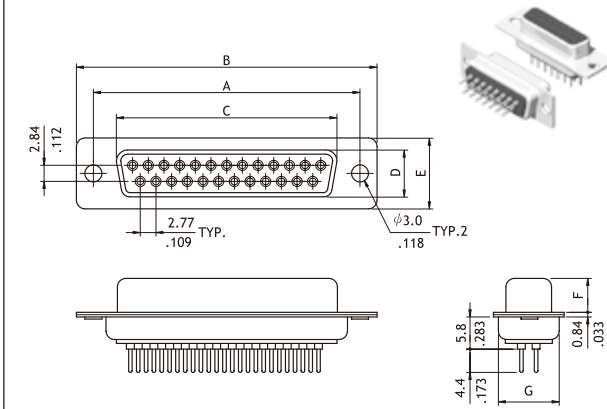
- Mate with standard D-Sub
- With metal shell and solder tails
- Riveted Hex nuts or hardware accessories options available

RoHS Compliant

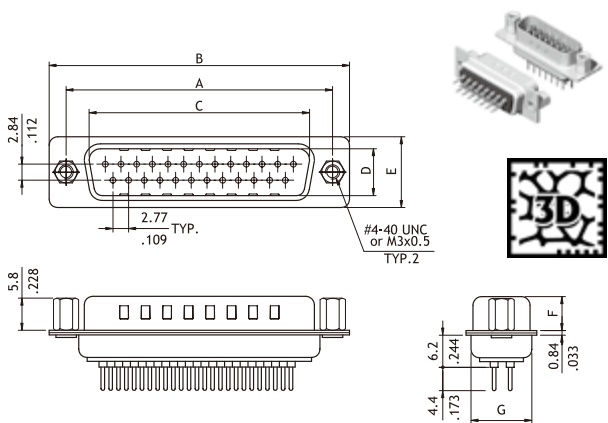
Plug Connector (00 Type)



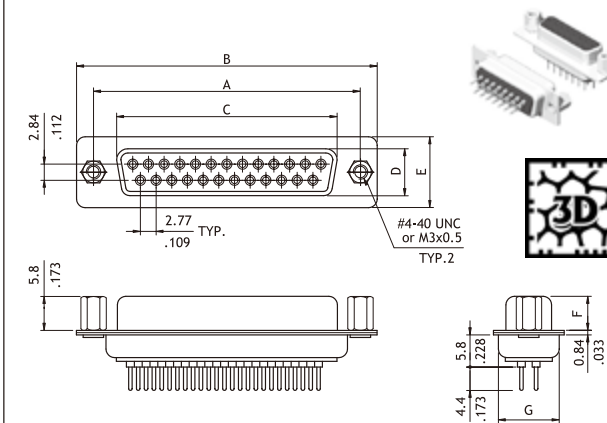
Receptacle Connector (00 Type)



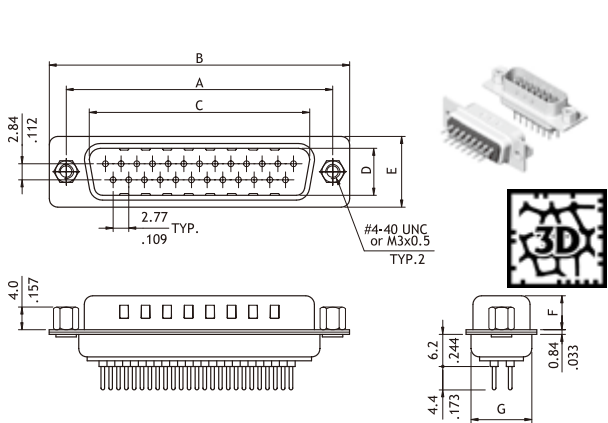
Plug Connector (A0/A1 Type)



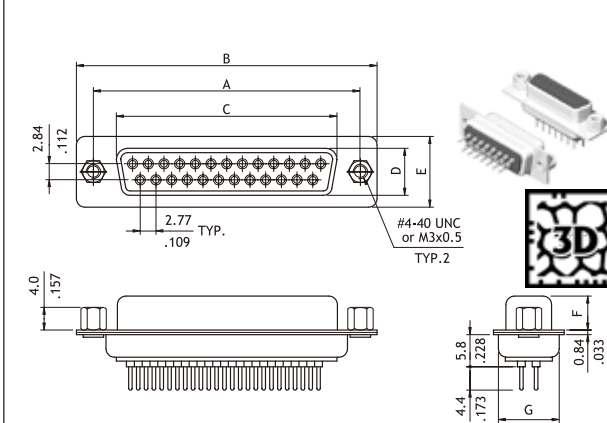
Receptacle Connector (A0/A1 Type)



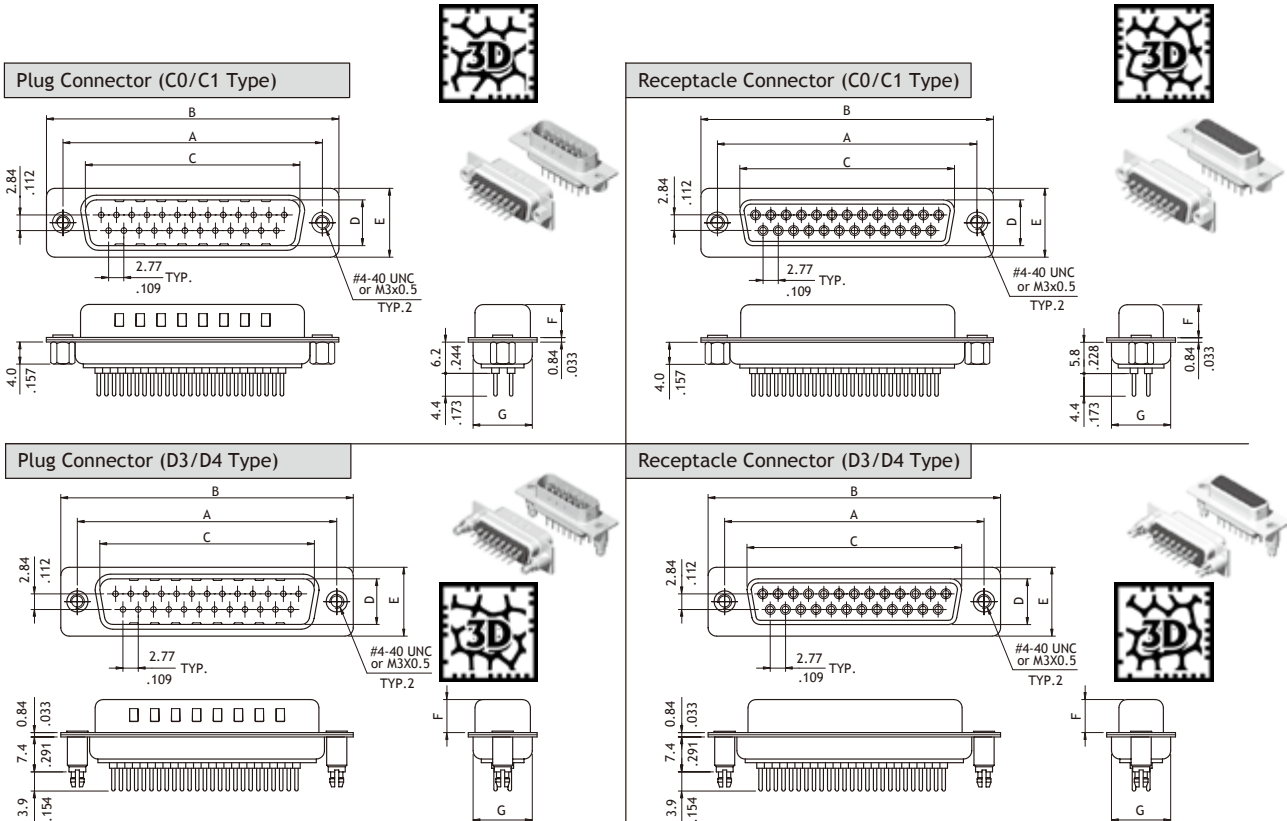
Plug Connector (B0/B1 Type)



Receptacle Connector (B0/B1 Type)



CD72 Series Machined Contact Straight DIP Solder D-Sub



Circuits	Connector Type	Dimension						
		A	B	C	D	E	F	G
9	Plug	25.0(.984)	30.8(1.213)	16.92(.666)	8.3(.327)	12.5(.492)	6.0(.236)	10.75(.423)
	Receptacle	25.0(.984)	30.8(1.213)	16.3(.642)	7.9(.311)	12.5(.492)	5.8(.228)	10.75(.423)
15	Plug	33.32(1.312)	39.2(1.543)	25.25(.994)	8.3(.327)	12.5(.492)	6.0(.236)	10.75(.423)
	Receptacle	33.32(1.312)	39.2(1.543)	24.6(.969)	7.9(.311)	12.5(.492)	5.8(.228)	10.75(.423)
25	Plug	47.04(1.852)	53.1(2.091)	38.96(1.534)	8.3(.327)	12.5(.492)	6.0(.236)	10.75(.423)
	Receptacle	47.04(1.852)	53.1(2.091)	38.3(1.508)	7.9(.311)	12.5(.492)	5.8(.228)	10.75(.423)
37	Plug	63.5(2.500)	69.4(2.732)	55.42(2.182)	8.3(.327)	12.5(.492)	6.0(.236)	10.75(.423)
	Receptacle	63.5(2.500)	69.4(2.732)	54.8(2.157)	7.9(.311)	12.5(.492)	5.8(.228)	10.75(.423)
50	Plug	61.0(2.402)	67.0(2.638)	52.8(2.079)	11.1(.473)	15.3(.602)	6.0(.236)	13.35(.526)
	Receptacle	61.0(2.402)	67.0(2.638)	52.2(2.055)	10.9(.429)	15.3(.602)	5.8(.228)	13.55(.526)

Ordering Code

① ② ③ ④ ⑤ ⑥
CD72 25 P 2 1 00

- ① Series No.
- ② No. of Circuits: 09, 15, 25, 37, 50
- ③ Connector Type: P = Plug (Male)
S = Receptacle (Female)
- ④ Plating Option: 2 = Gold flash over Nickel
*Optional plating available but MOQ requested
- ⑤ Insulator Color: 1 = Black
*Optional insulator color consult manufacturer
- ⑥ Other Options:
 00 = With ϕ 3.0mm holes on shell (Standard)
 A0 = Riveted #4-40 UNC Close nuts on Front shell
 A1 = Riveted M3x0.5 Close nuts on Front shell
 B0 = Riveted #4-40 UNC Open nuts on Front shell
 B1 = Riveted M3x0.5 Open nuts on Front shell
 C0 = Riveted #4-40 UNC Open nuts on Rear shell
 C1 = Riveted M3x0.5 Open nuts on Rear shell
 D3 = Riveted #4-40 UNC Close ground stand-off on Rear shell
 D4 = Riveted M3x0.5 Close ground stand-off on Rear shell
 *Special options consult manufacturer

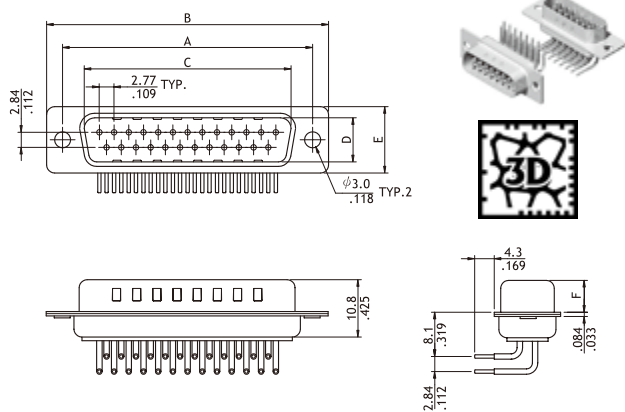
CD73 Series 8.10mm Footprint Right Angle DIP Solder D-Sub

CD

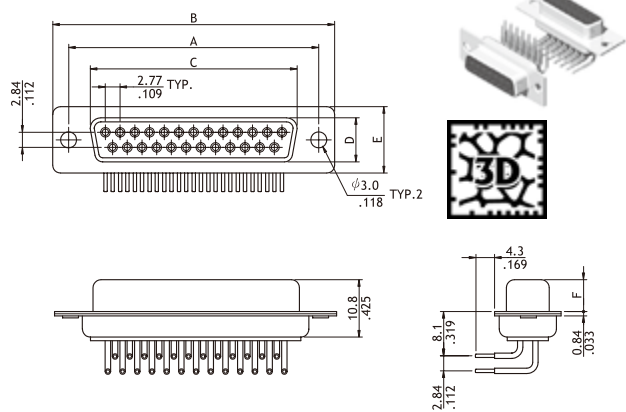
- ⊙ Machined contact with right angle solder tails
- ⊙ Mate with standard D-Sub
- ⊙ Metal shell and solder tails
- ⊙ Riveted Hex nuts or hardware accessories options available

RoHS Compliant

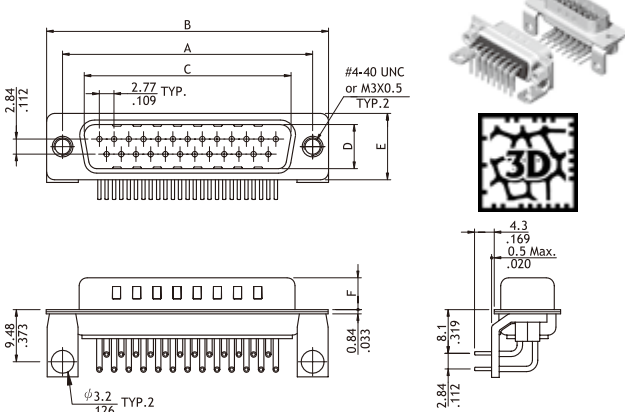
Plug Connector (00 Type)



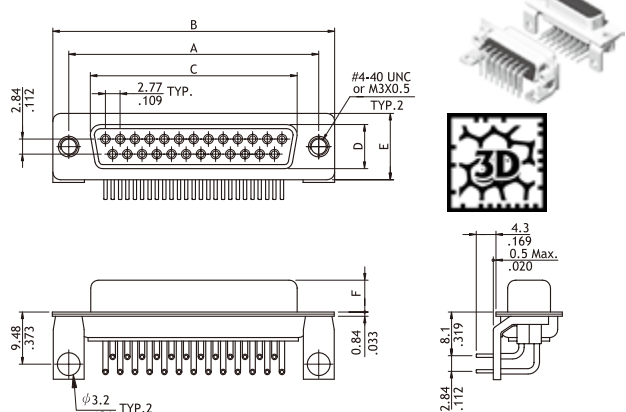
Receptacle Connector (00 Type)



Plug Connector (10/12 Type)

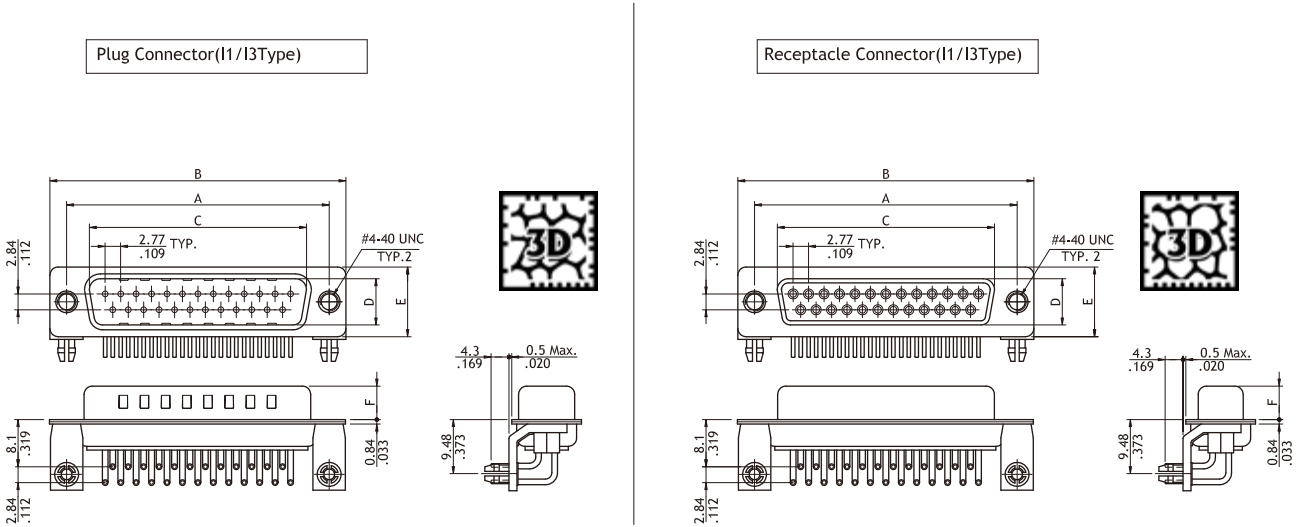


Receptacle Connector (10/12 Type)



D-SUB CONNECTORS

CD73 Series 8.10mm Footprint Right Angle DIP Solder D-Sub



Circuits	Connector Type	Dimension					
		A	B	C	D	E	F
9	Plug	25.0(.984)	30.8(1.213)	16.92(.666)	8.3(.327)	12.5(.492)	6.0(.236)
	Receptacle	25.0(.984)	30.8(1.213)	16.3(.642)	7.9(.311)	12.5(.492)	5.8(.228)
15	Plug	33.32(1.312)	39.2(1.543)	25.25(.994)	8.3(.327)	12.5(.492)	6.0(.236)
	Receptacle	33.32(1.312)	39.2(1.543)	24.6(.969)	7.9(.311)	12.5(.492)	5.8(.228)
25	Plug	47.04(1.852)	53.1(2.091)	38.96(1.534)	8.3(.327)	12.5(.492)	6.0(.236)
	Receptacle	47.04(1.852)	53.1(2.091)	38.3(1.508)	7.9(.311)	12.5(.492)	5.8(.228)
37	Plug	63.5(2.500)	69.4(2.732)	55.42(2.182)	8.3(.327)	12.5(.492)	6.0(.236)
	Receptacle	63.5(2.500)	69.4(2.732)	54.8(2.157)	7.9(.311)	12.5(.492)	5.8(.228)

Ordering Code

① ② ③ ④ ⑤ ⑥
CD73 25 P 2 1 00

- ① Series No.
- ② No. of Circuits: 09, 15, 25, 37
- ③ Connector Type: P = Plug
S = Receptacle
- ④ Plating Option: 2 = Gold flash over Nickel
*Optional plating available but MOQ requested
- ⑤ Insulator Color: 1 = Black

- ⑥ Other Options:
 00 =With ϕ 3.0mm holes on shell (Standard)
 I 0 =Riveted ground tabs #4-40 UNC Open and ground tabs with ϕ 3.2mm holes
 I2 =Riveted ground tabs thread M3x0.5 Open and ground tabs with ϕ 3.2mm holes
 I1 =Riveted ground tabs #4-40 UNC Open and ground tabs with board lock
 I3 =Riveted ground tabs thread M3x0.5 Open and ground tabs with board lock
 *Special options consult manufacturer

Combo D-Sub Technical Specifications

CD

- ⊙ The connectors conform to MIL-24308(DIN 41652) and the shell dimensions are the same as standard D-sub connectors so that mating is no problem
- ⊙ Test methods for electronic connector are according to MILITARY standard MIL-STD-1344A and MILSTD-202F

Construction

Connector Assemblies -

- Shell : Steel, Tin Plated as Standard
- Insulator : Glass filled polyester UL 94V-0
Color Black or Green
- Signal Contact when applicable :
Copper alloy : Please see ordering code for plating options
- Standoff : Copper alloy, Tin over Copper
- Bracket : Steel, Nickel plated
- Rivnut : Copper alloy, Nickel plated
- Locking Clipper : Copper alloy, Tin over Copper

Coaxial Contact Assembly -

- Insulator : Teflon UL 94V-0, Color White
- Center and outside contact : Copper alloy
Please see ordering code for plating options
- Lock link : Copper alloy, Tin plated over Nickel

High Power Contact Assembly -

- Contact : Copper alloy
Please see ordering code for plating options
- Lock link : Copper alloy, Tin plated over Nickel

Performance Data

- Signal contact current rating : 3 Amps
- Signal contact resistance : < 10 mΩ
- Dielectric withstanding Voltage: 1000VAC for one minute at sea level
- Insulation Resistance : > 5000 MΩ
- Coaxial Contact impedance : 75Ω or 50Ω
- High power contact current rating : 40 or 20 Amps
- High power contact Resistance : < 2.7 m
- Connector mating and unmating force:17.0 kgf max.
- Durability:100 Cycles
- Operating Temperature: -55°~+125°C

Contact Arrangements

- ⊙ Accommodated removable Coaxial and high power contacts
- ⊙ The product indicated“ ◆ ” Not available at present

Contact Arrangement	5W1	3W3	7W2	11W1	5W5	9W4
Shell Size	E	A	A	A	B	B
No. of Signal Contacts	4	0	5	10	0	5
No. of Coaxial Contacts	1	3	2	1	5	4
Contact Arrangement	13W3	17W2	21W1	8W8		
Shell Size	B	B	B	C		
No. of Signal Contacts	10	15	20	0		
No. of Coaxial Contacts	3	2	1	8		
Contact Arrangement	13W6	17W5	21W4			
Shell Size	C	C	C			
No. of Signal Contacts	7	12	17			
No. of Coaxial Contacts	6	5	4			
Contact Arrangement	25W3	27W2	24W7			
Shell Size	C	C	D			
No. of Signal Contacts	22	25	17			
No. of Coaxial Contacts	3	2	7			
Contact Arrangement	36W4	43W2	47W1			
Shell Size	D	D	D			
No. of Signal Contacts	32	41	46			
No. of Coaxial Contacts	4	2	1			

Mounting Style Options

<p>0 Riveted front and rear shell with 3.05mm Hole</p>	<p>A Riveted #4-40 UNC close nuts on front shell DIM L= 5.8mm (Standard)</p>	<p>B Riveted #4-40 UNC open nuts on front shell DIM L= 4.0mm (Standard)</p>
<p>C Riveted #4-40 UNC open nuts on rear shell DIM. L= 4.0mm (Standard)</p>	<p>D Riveted #4-40 UNC close ground Stand-off on rear shell DIM L=7.0mm (Standard)</p>	<p>I Riveted ground tabs with #4-40 UNC open</p>

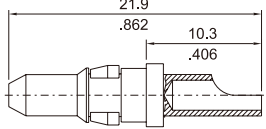
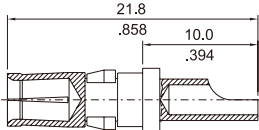
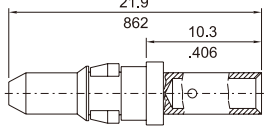
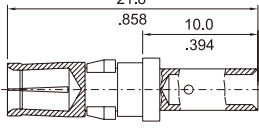
Coaxial Contact for Combination D-Sub

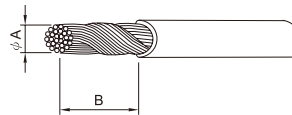
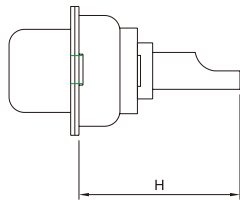
Contact Type	Shape	Part No.	Plating	Impedance	R.G Cable
Solder Cup	<p>Plug Contact</p>	CXLTPS27500	Gold flash plated over 50µin Nickel	75Ω	179B/U
		CXLTPS37500	15µin Gold plated over 50µin Nickel		
		CXLTPS47500	30µin Gold plated over 50µin Nickel		
		CXLTPS57500	50µin Gold plated over 50µin Nickel		
		CXLTPS25000	Gold flash plated over 50µin Nickel		
		CXLTPS35000	15µin Gold plated over 50µin Nickel		
		CXLTPS45000	30µin Gold plated over 50µin Nickel		
	<p>Receptacle Contact</p>	CXLTPS55000	50µin Gold plated over 50µin Nickel	50Ω	178B/U
		CXLTPS27500	Gold flash plated over 50µin Nickel		
		CXLTPS37500	15µin Gold plated over 50µin Nickel		
		CXLTPS47500	30µin Gold plated over 50µin Nickel		
		CXLTPS57500	50µin Gold plated over 50µin Nickel		
		CXLTPS25000	Gold flash plated over 50µin Nickel		
		CXLTPS35000	15µin Gold plated over 50µin Nickel		
Straight DIP	<p>Plug Contact</p>	CXLTPV27500	Gold flash plated over 50µin Nickel	75Ω	—
		CXLTPV37500	15µin Gold plated over 50µin Nickel		
		CXLTPV47500	30µin Gold plated over 50µin Nickel		
		CXLTPV57500	50µin Gold plated over 50µin Nickel		
		CXLTPV25000	Gold flash plated over 50µin Nickel		
		CXLTPV35000	15µin Gold plated over 50µin Nickel		
		CXLTPV45000	30µin Gold plated over 50µin Nickel		
	<p>Receptacle Contact</p>	CXLTPV55000	50µin Gold plated over 50µin Nickel	50Ω	—
		CXLTPV27500	Gold flash plated over 50µin Nickel		
		CXLTPV37500	15µin Gold plated over 50µin Nickel		
		CXLTPV47500	30µin Gold plated over 50µin Nickel		
		CXLTPV57500	50µin Gold plated over 50µin Nickel		
		CXLTPV25000	Gold flash plated over 50µin Nickel		
		CXLTPV35000	15µin Gold plated over 50µin Nickel		
Right Angle DIP	<p>Plug Contact</p>	CXLTPH27500	Gold flash plated over 50µin Nickel	75Ω	—
		CXLTPH37500	15µin Gold plated over 50µin Nickel		
		CXLTPH47500	30µin Gold plated over 50µin Nickel		
		CXLTPH57500	50µin Gold plated over 50µin Nickel		
		CXLTPH25000	Gold flash plated over 50µin Nickel		
		CXLTPH35000	15µin Gold plated over 50µin Nickel		
		CXLTPH45000	30µin Gold plated over 50µin Nickel		
	<p>Receptacle Contact</p>	CXLTPH55000	50µin Gold plated over 50µin Nickel	50Ω	—
		CXLTPH27500	Gold flash plated over 50µin Nickel		
		CXLTPH37500	15µin Gold plated over 50µin Nickel		
		CXLTPH47500	30µin Gold plated over 50µin Nickel		
		CXLTPH57500	50µin Gold plated over 50µin Nickel		
		CXLTPH25000	Gold flash plated over 50µin Nickel		
		CXLTPH35000	15µin Gold plated over 50µin Nickel		
CXLTPH45000	30µin Gold plated over 50µin Nickel				
CXLTPH55000	50µin Gold plated over 50µin Nickel				

CD

D-SUB CONNECTORS

High Power Contact for Combination D-Sub

Contact Type	Shape	Part No.	Plating	Current Rating	Wire Size
Solder Cup	 <p>Plug Contact</p>	CHPTPS22000	Gold flash plated over 50µin Nickel	20A	AWG #12~#14
		CHPTPS32000	15µin Gold plated over 50µin Nickel		
		CHPTPS42000	30µin Gold plated over 50µin Nickel		
		CHPTPS52000	50µin Gold plated over 50µin Nickel	40A	AWG #8~#10
		CHPTPS24000	Gold flash plated over 50µin Nickel		
		CHPTPS34000	15µin Gold plated over 50µin Nickel		
		CHPTPS44000	30µin Gold plated over 50µin Nickel		
	CHPTPS54000	50µin Gold plated over 50µin Nickel			
	 <p>Receptacle Contact</p>	CHPTSS22000	Gold flash plated over 50µin Nickel	20A	AWG #12~#14
		CHPTSS32000	15µin Gold plated over 50µin Nickel		
		CHPTSS42000	30µin Gold plated over 50µin Nickel		
		CHPTSS52000	50µin Gold plated over 50µin Nickel	40A	AWG #8~#10
		CHPTSS24000	Gold flash plated over 50µin Nickel		
		CHPTSS34000	15µin Gold plated over 50µin Nickel		
CHPTSS44000		30µin Gold plated over 50µin Nickel			
CHPTSS54000	50µin Gold plated over 50µin Nickel				
Crimp Type	 <p>Plug Contact</p>	CHPTPC22000	Gold flash plated over 50µin Nickel	20A	AWG #12~#14
		CHPTPC32000	15µin Gold plated over 50µin Nickel		
		CHPTPC42000	30µin Gold plated over 50µin Nickel		
		CHPTPC52000	50µin Gold plated over 50µin Nickel	40A	AWG #8~#10
		CHPTPC24000	Gold flash plated over 50µin Nickel		
		CHPTPC34000	15µin Gold plated over 50µin Nickel		
		CHPTPC44000	30µin Gold plated over 50µin Nickel		
	CHPTPC54000	50µin Gold plated over 50µin Nickel			
	 <p>Receptacle Contact</p>	CHPTSC22000	Gold flash plated over 50µin Nickel	20A	AWG #12~#14
		CHPTSC32000	15µin Gold plated over 50µin Nickel		
		CHPTSC42000	30µin Gold plated over 50µin Nickel		
		CHPTSC52000	50µin Gold plated over 50µin Nickel	40A	AWG #8~#10
		CHPTSC24000	Gold flash plated over 50µin Nickel		
		CHPTSC34000	15µin Gold plated over 50µin Nickel		
CHPTSC44000		30µin Gold plated over 50µin Nickel			
CHPTSC54000 ³	50µin Gold plated over 50µin Nickel				

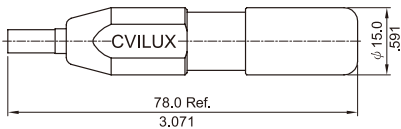


Current Rating	Crimp and Solder Terminations			
	DIM. φA min.	DIM. φA max.	DIM. B	DIM. H max.
20A	1.8(.071)	2.6(.102)	8.0(.315)~	16.5(.650)
40A	2.9(.114)	4.5(.177)	8.8(.346)	

High Power Contact for Combination D-Sub

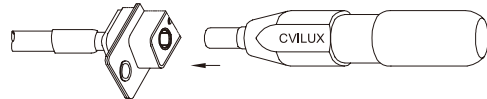
Contact Type	Shape	Part No.	Plating	Current Rating
Straight DIP	<p>Plug Contact</p>	CHPTPV22000	Gold flash plated over 50µin Nickel	20A
		CHPTPV32000	15µin Gold plated over 50µin Nickel	
		CHPTPV42000	30µin Gold plated over 50µin Nickel	
		CHPTPV52000	50µin Gold plated over 50µin Nickel	40A
		CHPTPV24000	Gold flash plated over 50µin Nickel	
		CHPTPV34000	15µin Gold plated over 50µin Nickel	
		CHPTPV44000	30µin Gold plated over 50µin Nickel	
	CHPTPV54000	50µin Gold plated over 50µin Nickel		
	<p>Receptacle Contact</p>	CHPTSV22000	Gold flash plated over 50µin Nickel	20A
		CHPTSV32000	15µin Gold plated over 50µin Nickel	
		CHPTSV42000	30µin Gold plated over 50µin Nickel	
		CHPTSV52000	50µin Gold plated over 50µin Nickel	40A
		CHPTSV24000	Gold flash plated over 50µin Nickel	
		CHPTSV34000	15µin Gold plated over 50µin Nickel	
CHPTSV44000		30µin Gold plated over 50µin Nickel		
Right Angle DIP	<p>Plug Contact</p>	CHTPH22000	Gold flash plated over 50µin Nickel	20A
		CHTPH32000	15µin Gold plated over 50µin Nickel	
		CHTPH42000	30µin Gold plated over 50µin Nickel	
		CHTPH52000	50µin Gold plated over 50µin Nickel	40A
		CHTPH24000	Gold flash plated over 50µin Nickel	
		CHTPH34000	15µin Gold plated over 50µin Nickel	
		CHTPH44000	30µin Gold plated over 50µin Nickel	
	CHTPH54000	50µin Gold plated over 50µin Nickel		
	<p>Receptacle Contact</p>	CHPTSH22000	Gold flash plated over 50µin Nickel	20A
		CHPTSH32000	15µin Gold plated over 50µin Nickel	
		CHPTSH42000	30µin Gold plated over 50µin Nickel	
		CHPTSH52000	50µin Gold plated over 50µin Nickel	40A
		CHPTSH24000	Gold flash plated over 50µin Nickel	
		CHPTSH34000	15µin Gold plated over 50µin Nickel	
CHPTSH44000		30µin Gold plated over 50µin Nickel		
CHPTSH54000	50µin Gold plated over 50µin Nickel			

P/N CD-RWT-0100

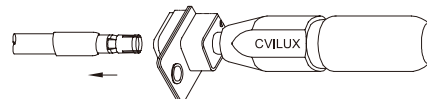


The COMBO D-SUB EXTRACTOR.
It is used in Coaxial or High power contact.
(available for male/female)

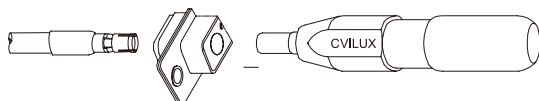
Step 1



Step 2



Step 3

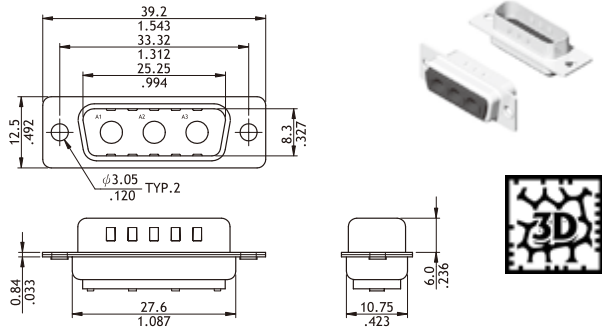


Combination D-Sub Housing

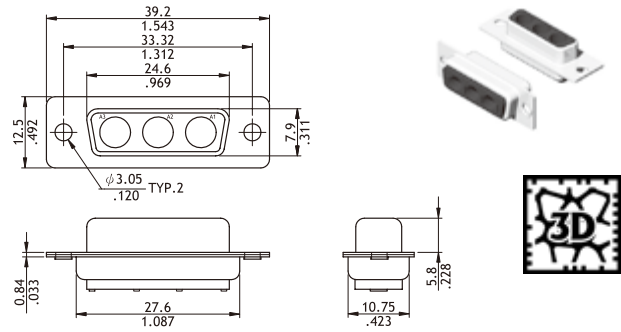
- ⊙ Pre-loaded stamped signal contact
- ⊙ Can be mated with coaxial or high power contact
- ⊙ High power contact available for crimp or solder type in 20A or 40A
- ⊙ Metal shell with ground indents
- ⊙ Riveted Hex nuts or hardware accessories options available

RoHS Compliant  

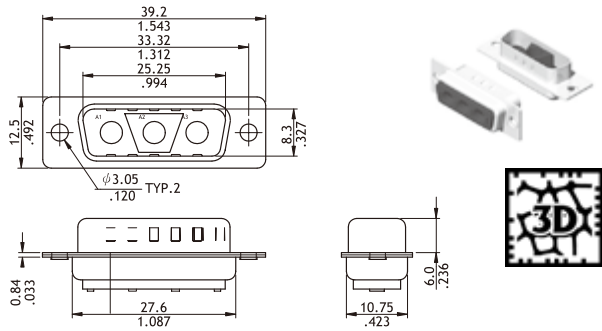
C3W3 (Plug Connector)



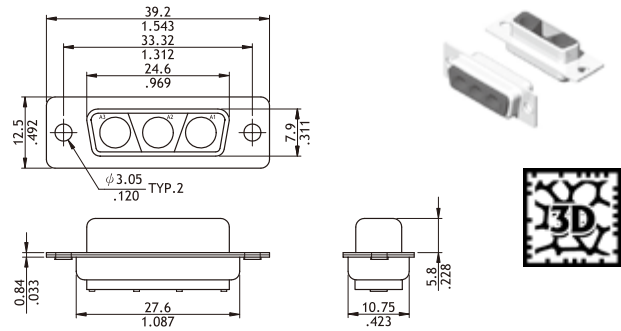
C3W3 (Receptacle Connector)



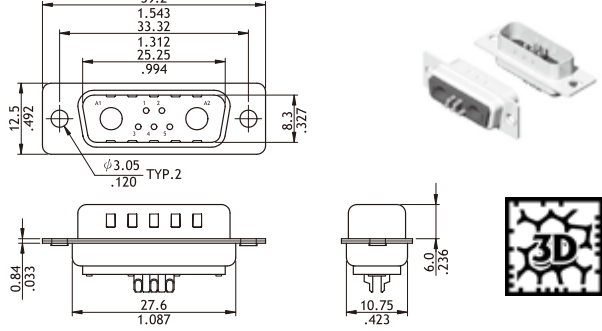
3W3C (Plug Connector)



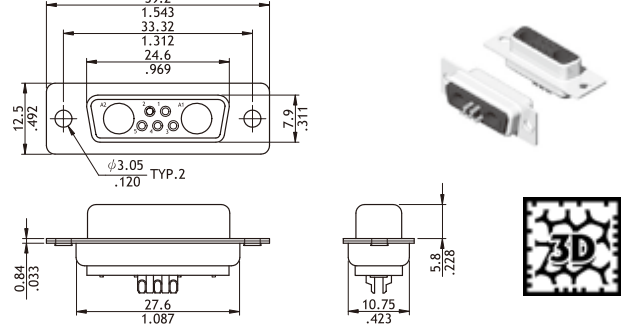
3W3C (Receptacle Connector)



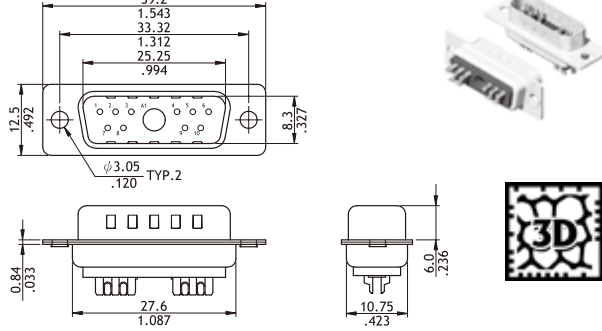
C7W2 (Plug Connector)



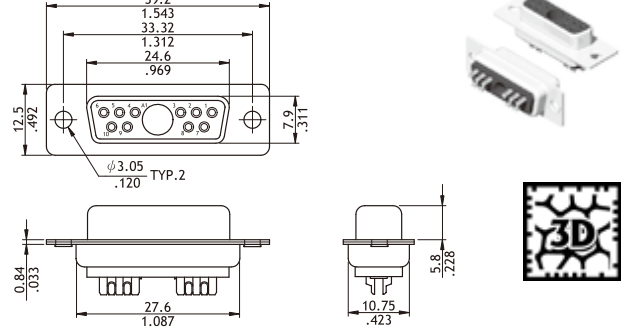
C7W2 (Receptacle Connector)



11W1 (Plug Connector)

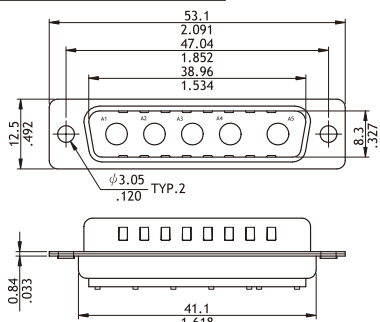


11W1 (Receptacle Connector)

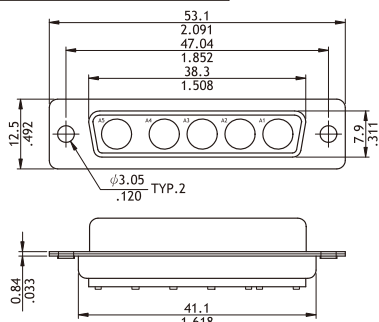


Combination D-Sub Housing

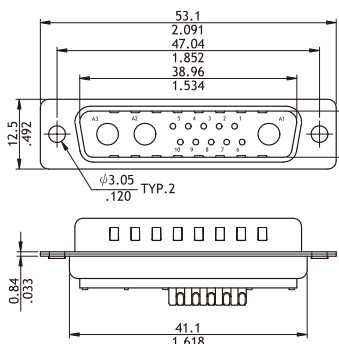
C5W5 (Plug Connector)



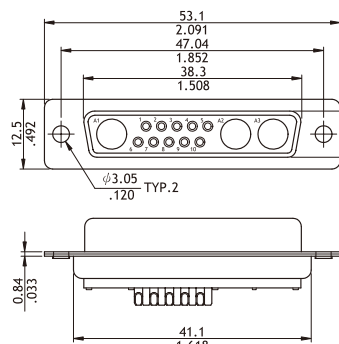
C5W5 (Receptacle Connector)



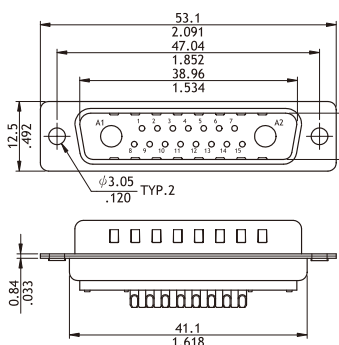
13W3 (Plug Connector)



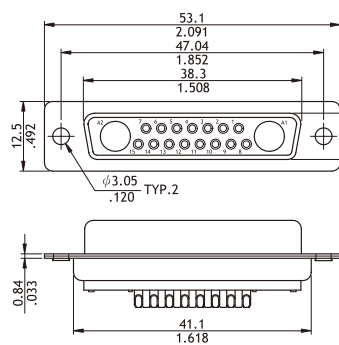
13W3 (Receptacle Connector)



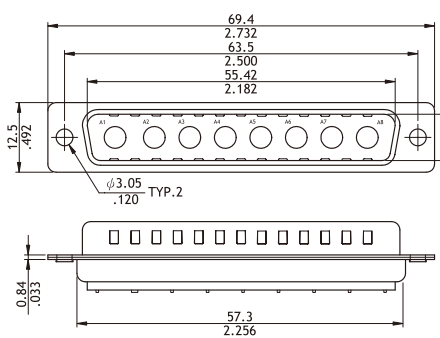
17W2 (Plug Connector)



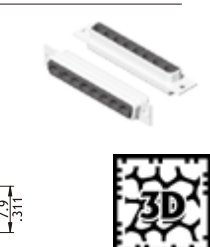
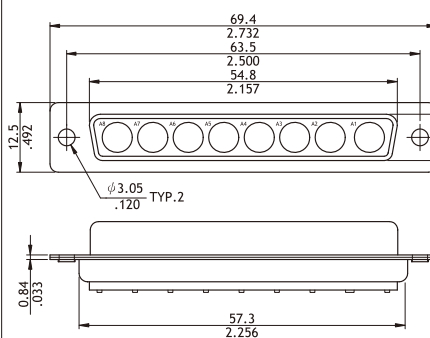
17W2 (Receptacle Connector)



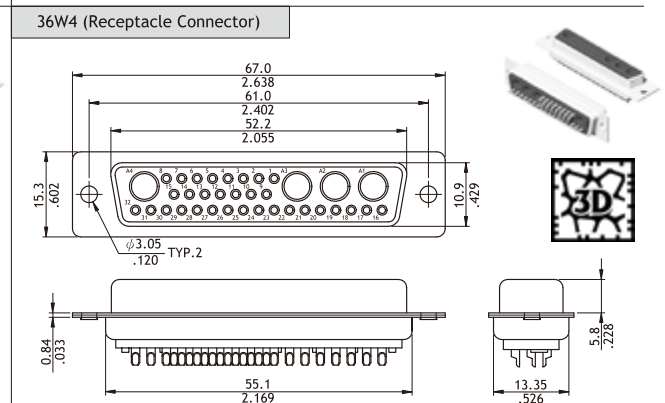
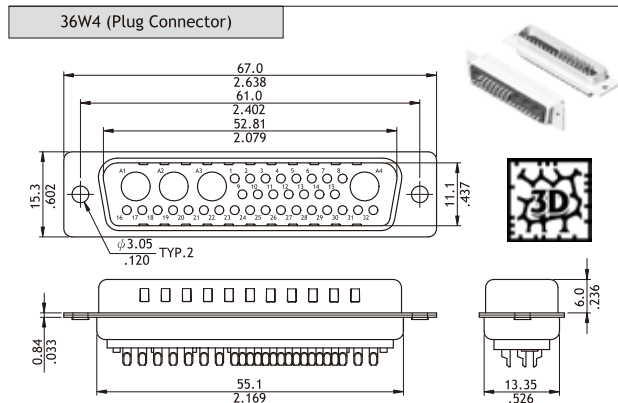
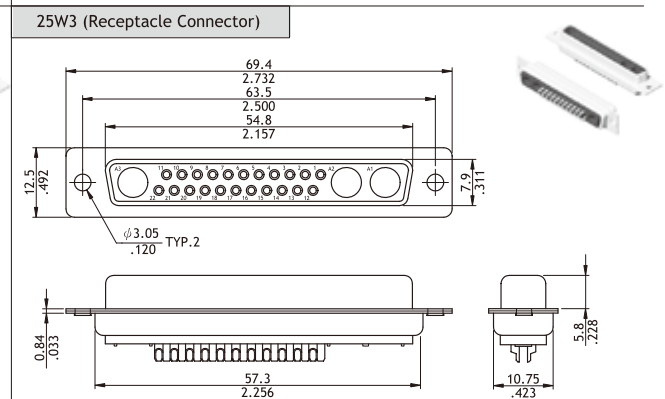
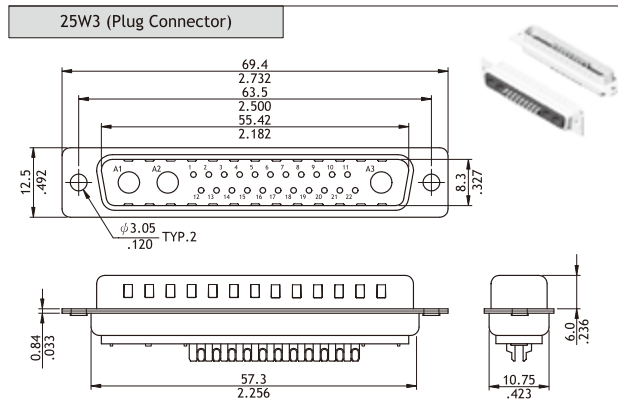
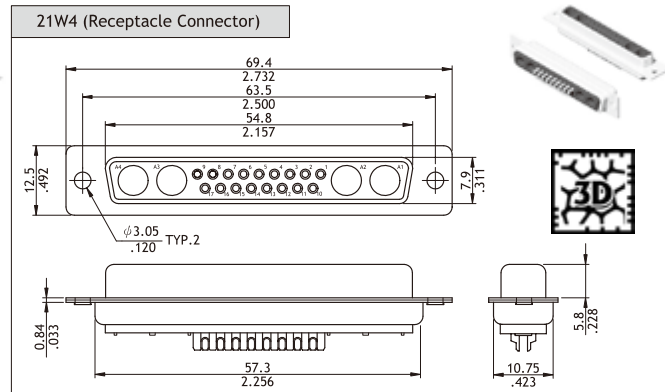
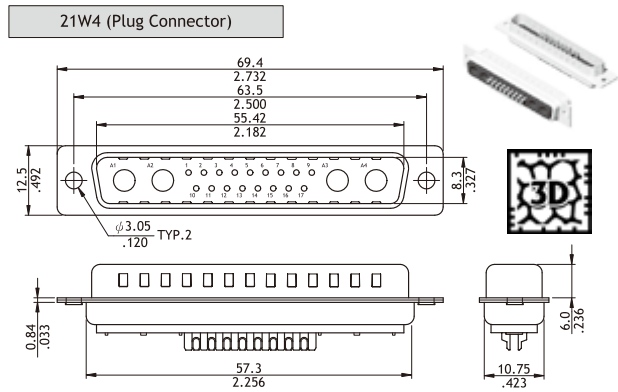
C8W8 (Plug Connector)



C8W8 (Receptacle Connector)



Combination D-Sub Housing



Ordering Code

① 13W3 ② P0 ③ S0 ④ A ⑤ 100 ⑥ 000

- ① Series No.: C3W3, 3W3C, C7W2, 11W1, C5W5, 13W3, 17W3, C8W8, 21W4, 25W3, 36W4
- ② Connector Type: P0 = Plug
S0 = Receptacle
- ③ Contact Tail: S0= Solder Cup Type (C3W3, C5W5, 3W3C, C8W8 Series, Code= 00)
- ④ Signal Contact Plating:
A = Selective Gold flash over Nickel
0 = Without Signal Contact

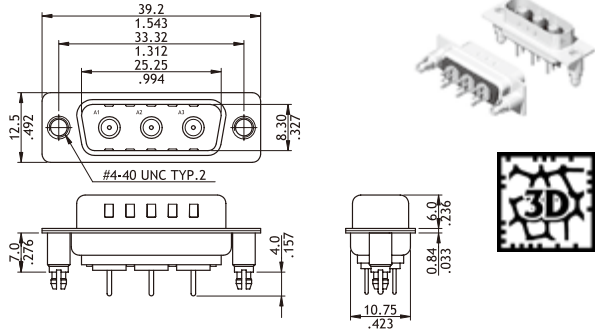
- ⑤ Insulator Color: 100 = Black
- ⑥ Other Options:
000 = With $\phi 3.05$ mm holes on shell (Standard)
A00= Riveted #4-40 UNC Close nuts on Front shell
B00= Riveted #4-40 UNC Open nuts on Front shell
C00= Riveted #4-40 UNC Open nuts on Rear shell
*Special options consult manufacturer
Connectors and coaxial/high power contacts should be ordered respectively to confirm production process

Coaxial Straight DIP Combination D-Sub

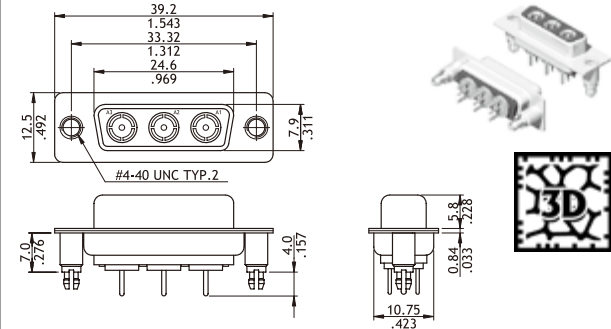
- ⊙ Standard type with #4-40 UNC threaded ground stand-off
- ⊙ Combined with stamped signal and machined coaxial contacts
- ⊙ For top entry connection
- ⊙ Metal shell with ground indents
- ⊙ Riveted Hex nuts or hardware accessories options available

RoHS Compliant  

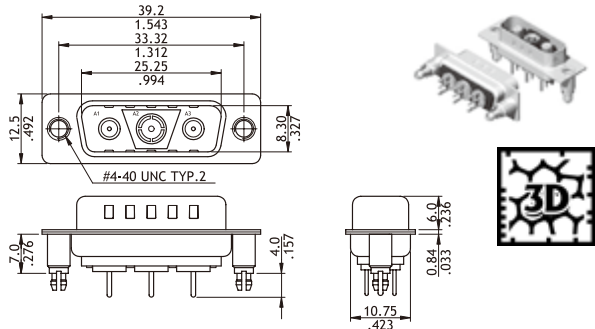
C3W3 (Plug Connector)



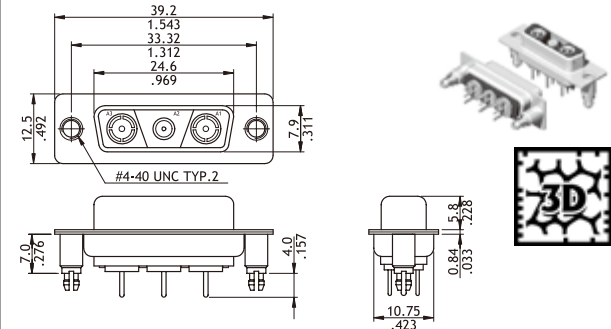
C3W3 (Receptacle Connector)



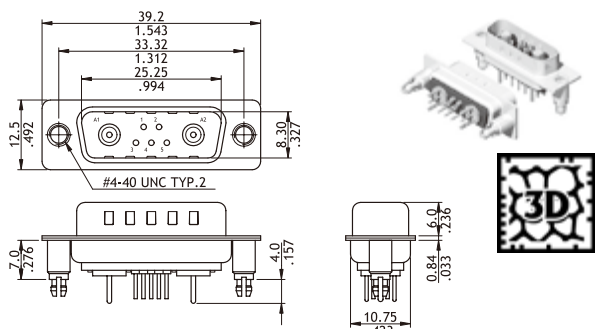
3W3C (Plug Connector)



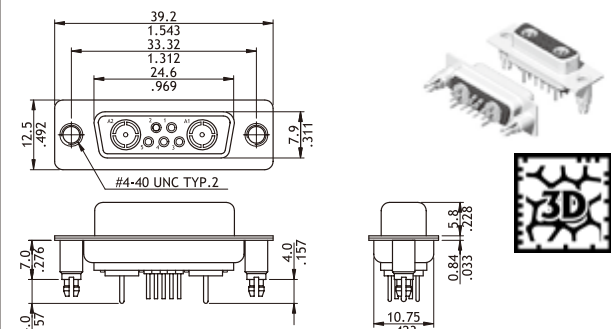
3W3C (Receptacle Connector)



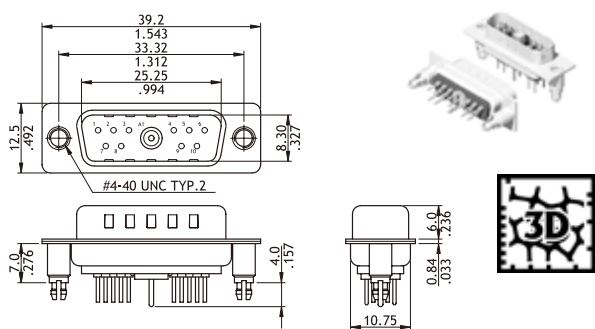
C7W2 (Plug Connector)



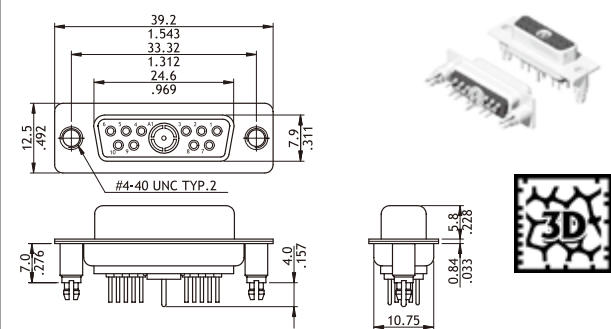
C7W2 (Receptacle Connector)



11W1 (Plug Connector)

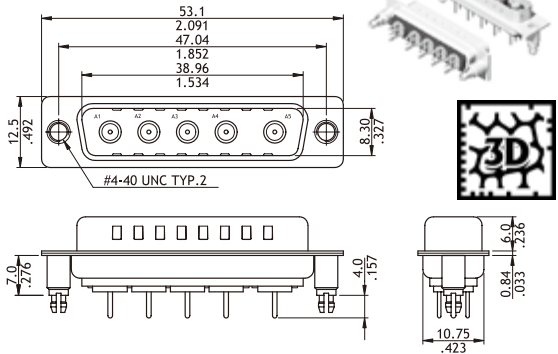


11W1 (Receptacle Connector)

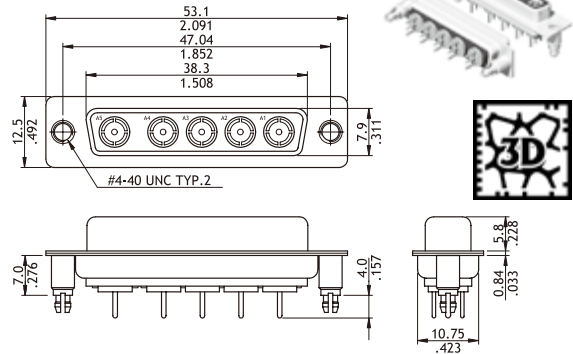


Coaxial Straight DIP Combination D-Sub

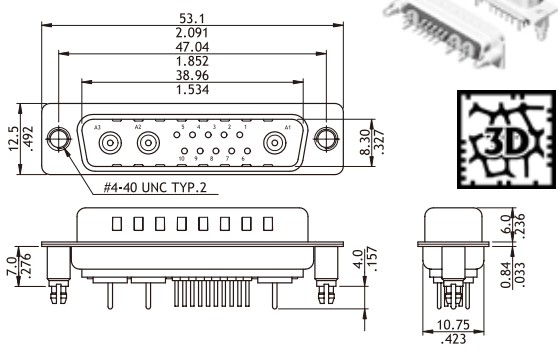
C5W5 (Plug Connector)



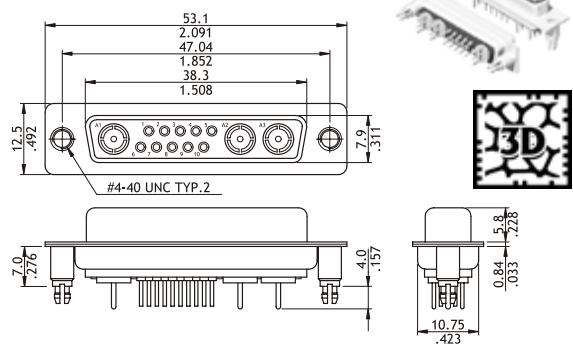
C5W5 (Receptacle Connector)



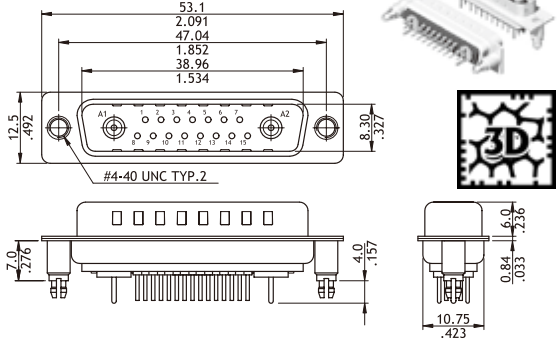
13W3 (Plug Connector)



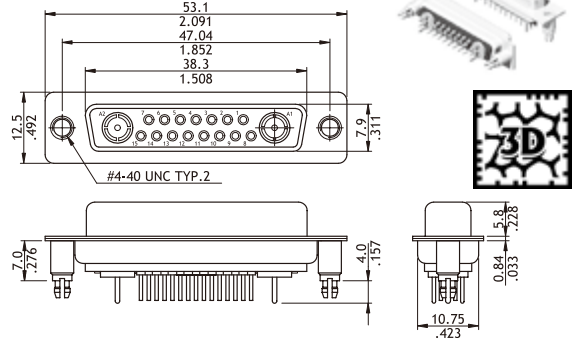
13W3 (Receptacle Connector)



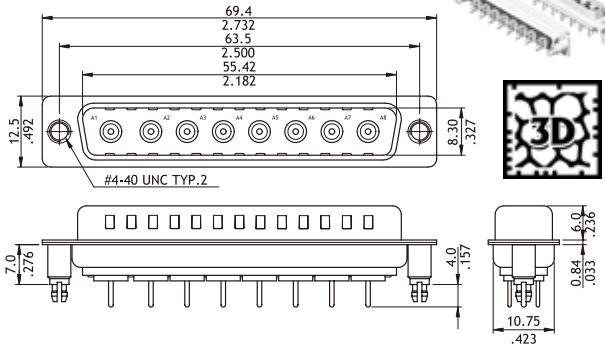
17W2 (Plug Connector)



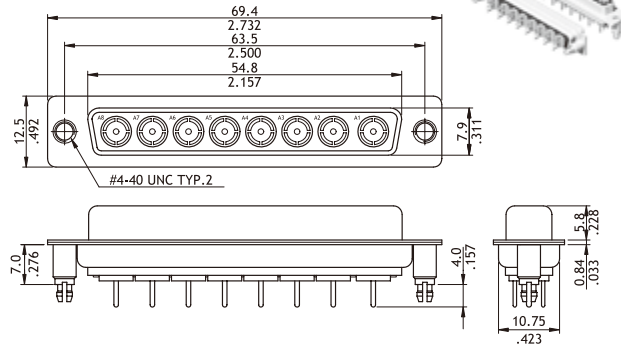
17W2 (Receptacle Connector)



C8W8 (Plug Connector)

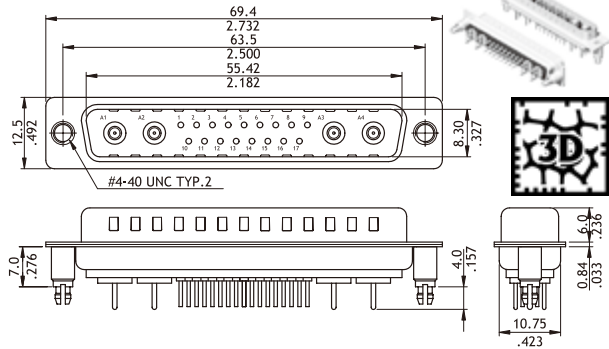


C8W8 (Receptacle Connector)

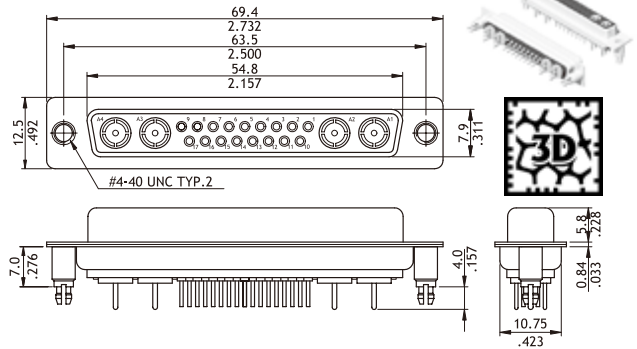


Coaxial Straight DIP Combination D-Sub

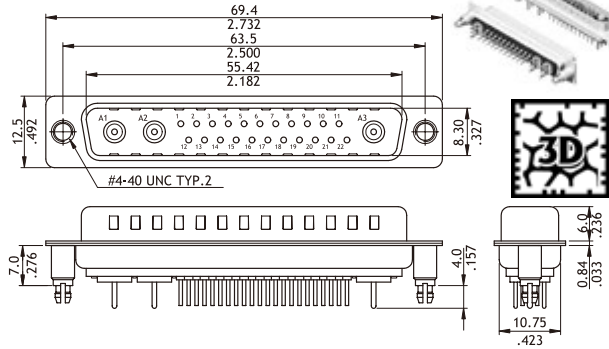
21W4 (Plug Connector)



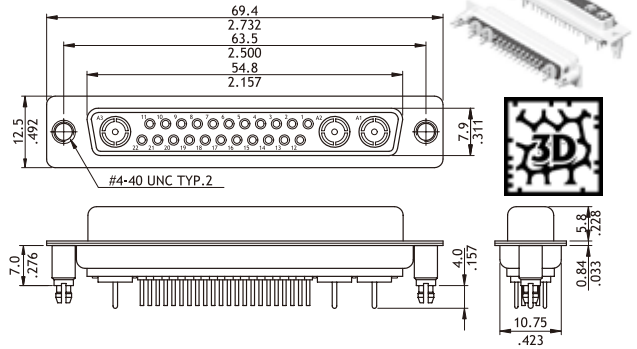
21W4 (Receptacle Connector)



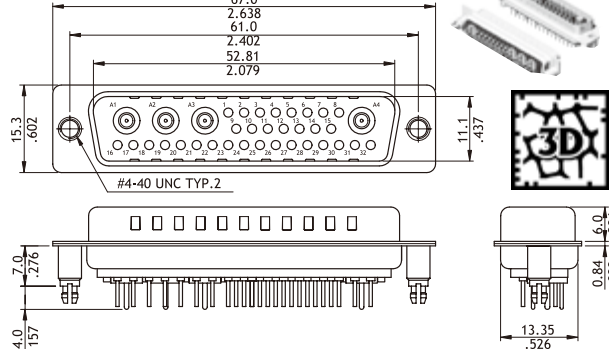
25W3 (Plug Connector)



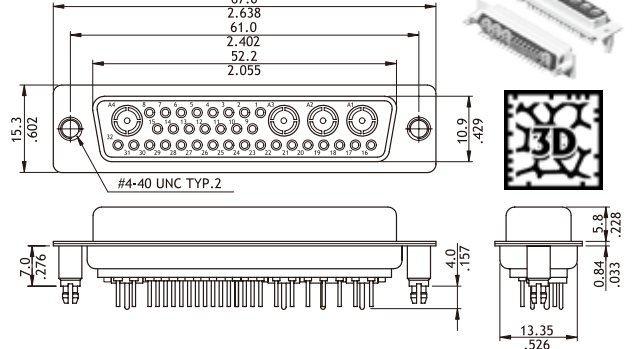
25W3 (Receptacle Connector)



36W4 (Plug Connector)



36W4 (Receptacle Connector)



Ordering Code	①	②	③	④	⑤	⑥	⑦	⑧	⑨
	13W3	S	C	V	2	2	1	75	D00

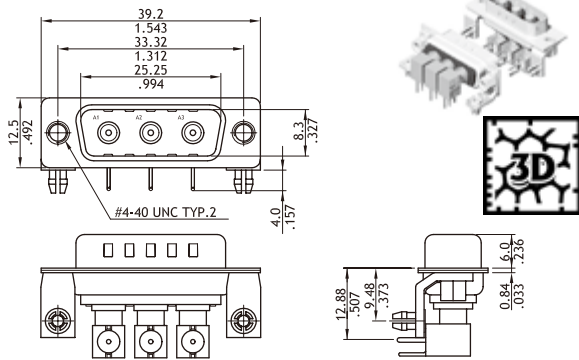
① Series No.: C3W3, 3W3C, C7W2, 11W1, C5W5, 13W3, 17W3, C8W8, 21W4, 25W3, 36W4
 ② Connector Type: P = Plug
 S = Receptacle
 ③ Contact Type: C = Coaxial Contact
 ④ Contact Tail Style: V = Straight DIP Type
 ⑤ Coaxial Contact Plating: 2 = Gold flash over Nickel
 ⑥ Signal Contact Plating: 2 = Gold flash over Nickel
 0 = Without Signal Contact
 ⑦ Insulator Color: 1 = Black
 ⑧ Performance: 50 = 50Ω, 75 = 75Ω
 ⑨ Mounting Style:
 000 = With ϕ 3.05mm holes on shell (Standard)
 A00 = Riveted #4-40 UNC Close nuts on Front shell
 B00 = Riveted #4-40 UNC Open nuts on Front shell
 C00 = Riveted #4-40 UNC Open nuts on Rear shell
 D00 = Riveted #4-40 UNC Ground Stand-off
 *Special options consult manufacturer

Coaxial Right Angle DIP Combination D-Sub

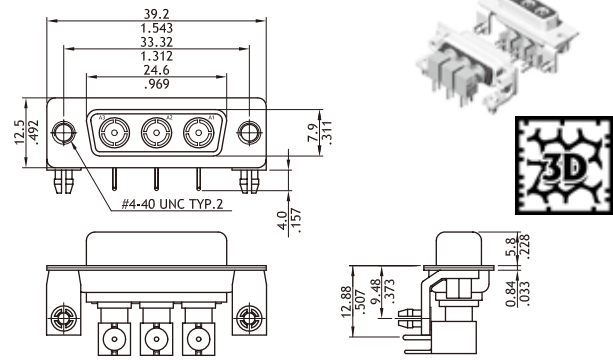
- ⊙ Standard type with #4-40 UNC threaded ground stand tabs and board locks to secure connector on board
- ⊙ Combined with stamped signal and machined coaxial contacts
- ⊙ For side entry connection
- ⊙ Metal shell with ground indents
- ⊙ Riveted Hex nuts or hardware accessories options available

RoHS Compliant 

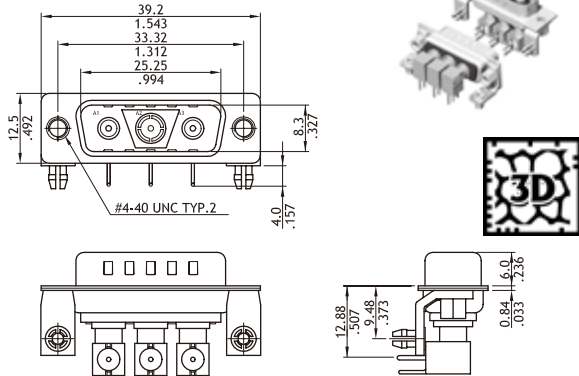
C3W3 (Plug Connector)



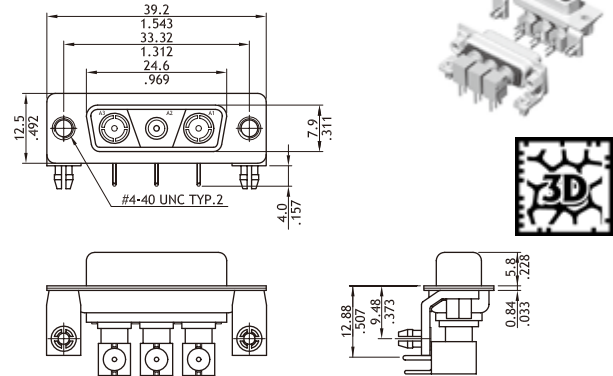
C3W3 (Receptacle Connector)



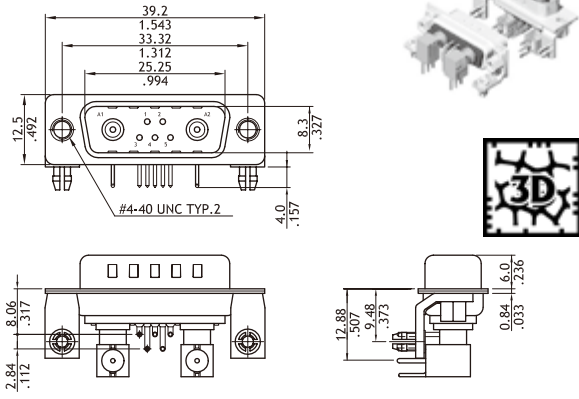
3W3C (Plug Connector)



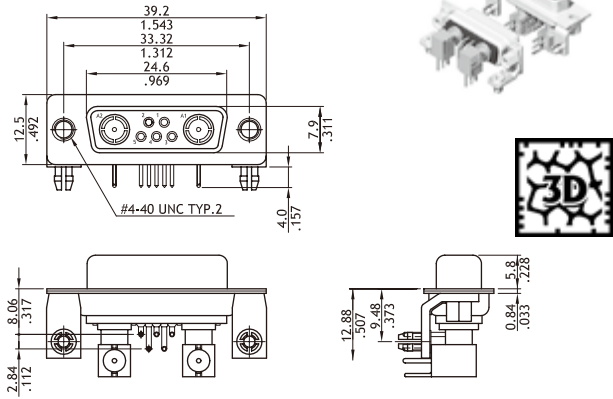
3W3C (Receptacle Connector)



C7W2 (Plug Connector)

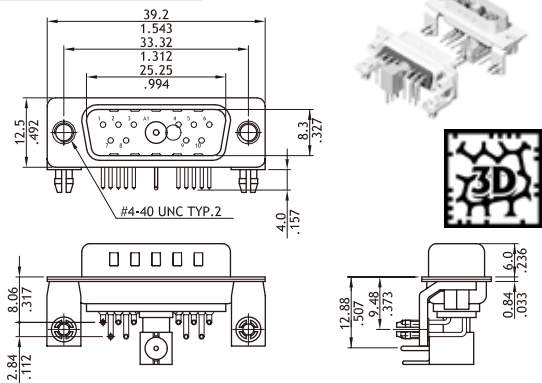


C7W2 (Receptacle Connector)

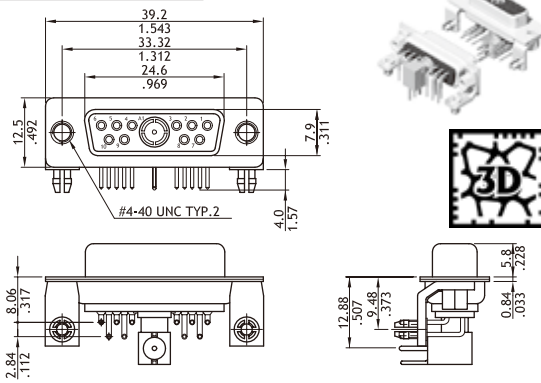


Coaxial Right Angle DIP Combination D-Sub

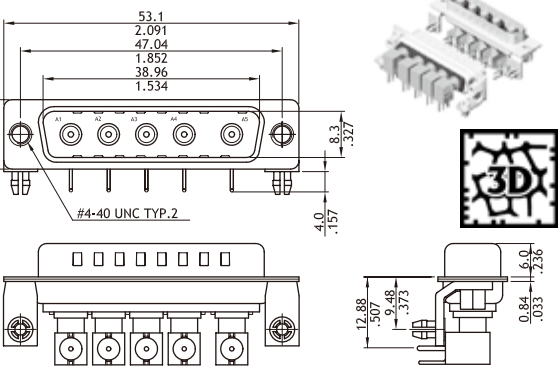
11W1 (Plug Connector)



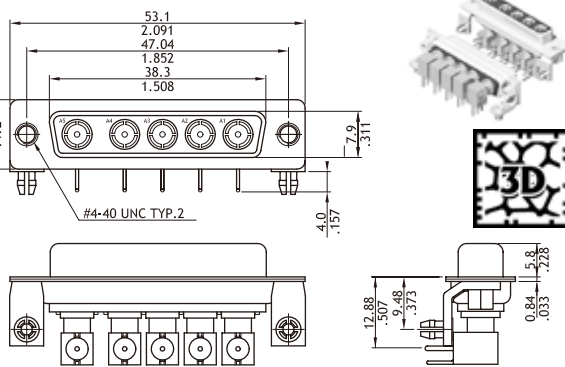
11W1 (Receptacle Connector)



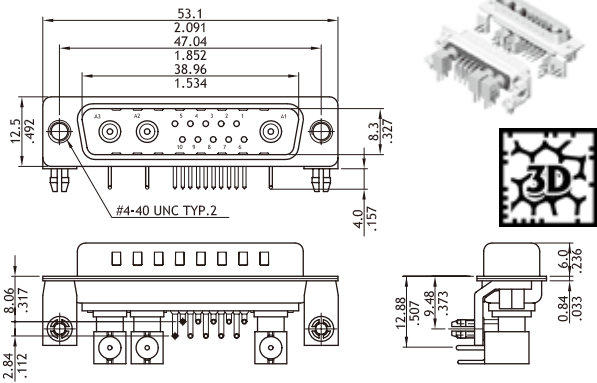
C5W5 (Plug Connector)



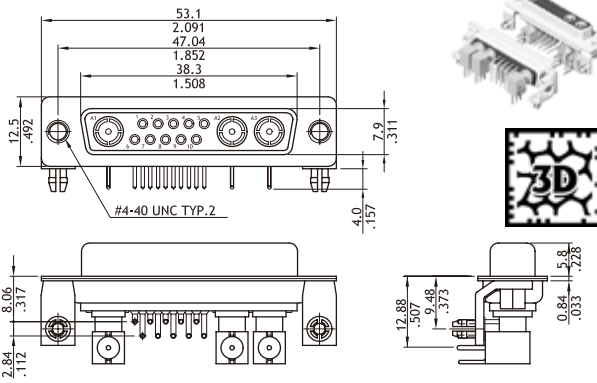
C5W5 (Receptacle Connector)



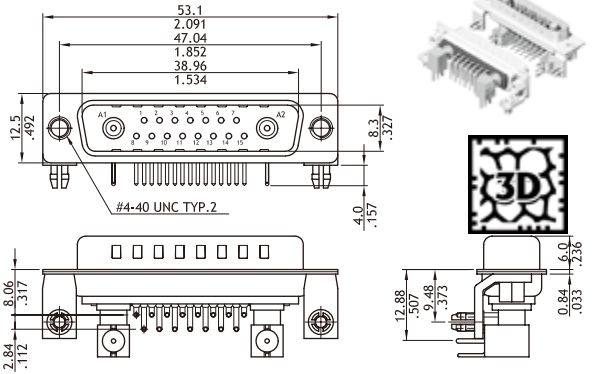
13W3 (Plug Connector)



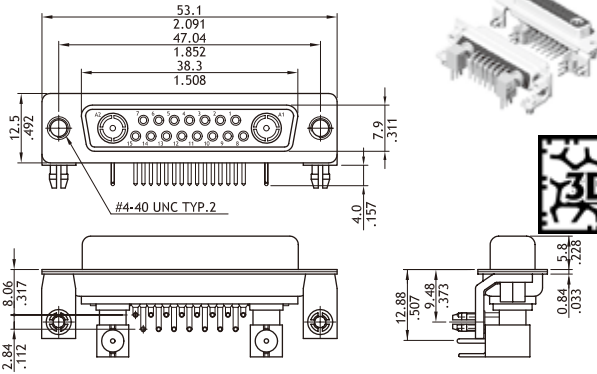
13W3 (Receptacle Connector)



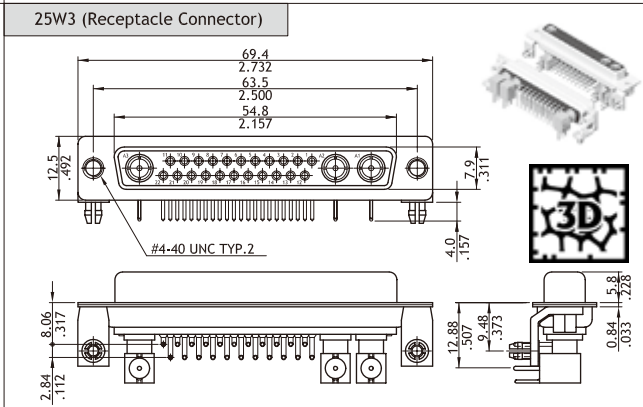
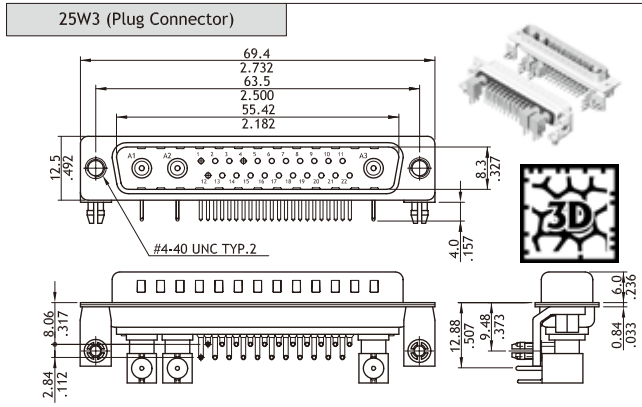
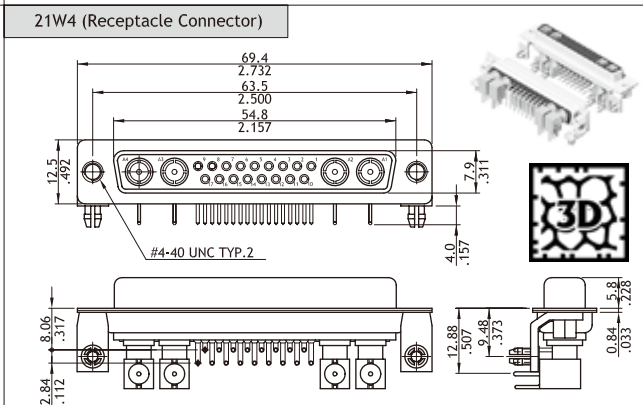
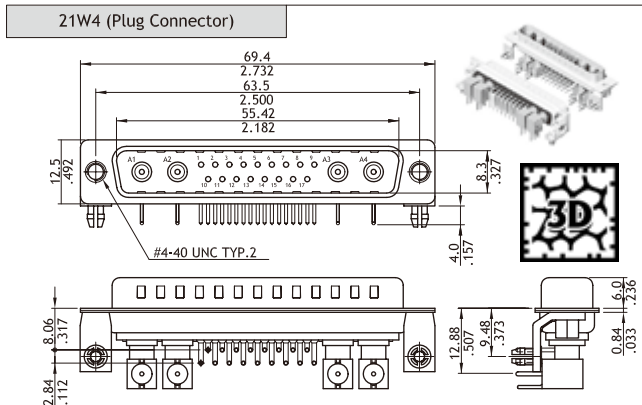
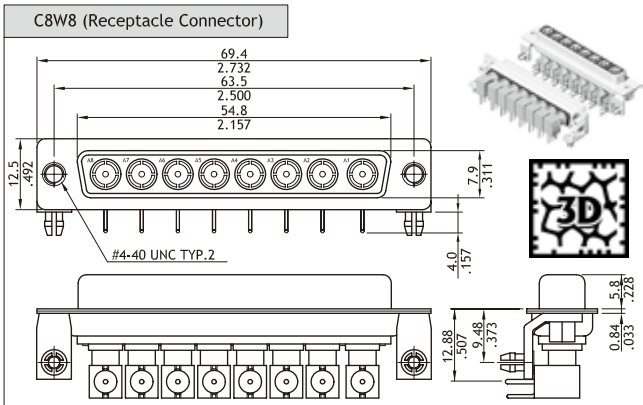
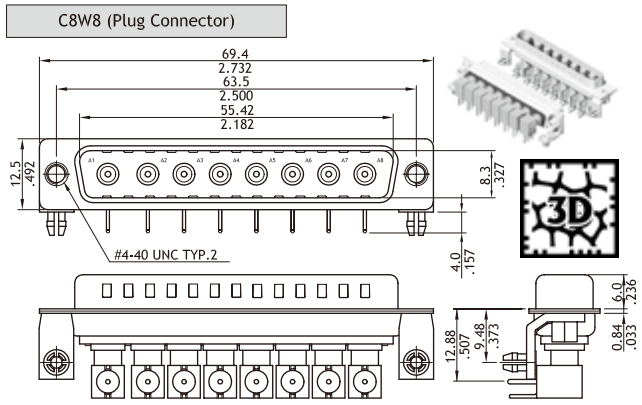
17W2 (Plug Connector)



17W2 (Receptacle Connector)



Coaxial Right Angle DIP Combination D-Sub



Ordering Code

① ② ③ ④ ⑤ ⑥ ⑦ ⑧ ⑨
13W3 S C H 2 2 1 75 I10

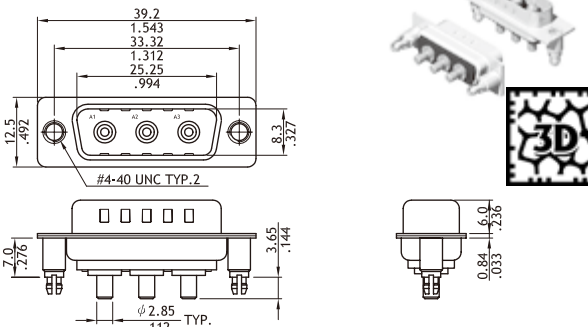
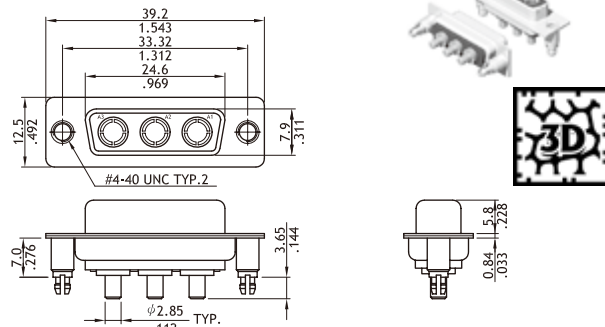
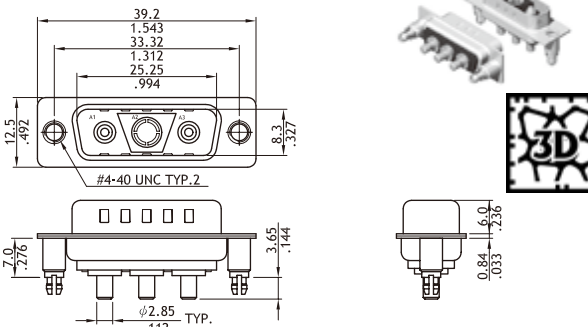
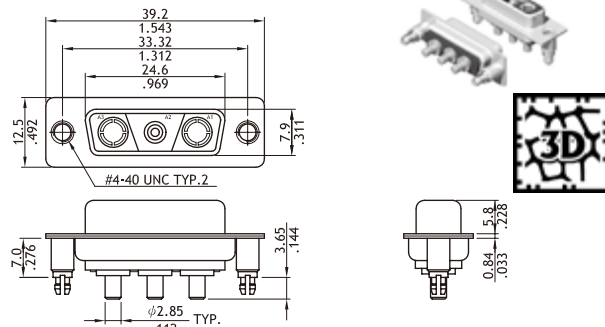
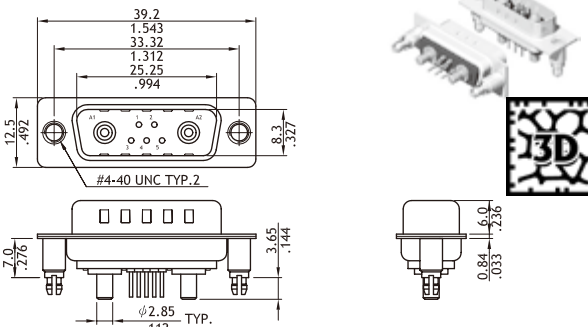
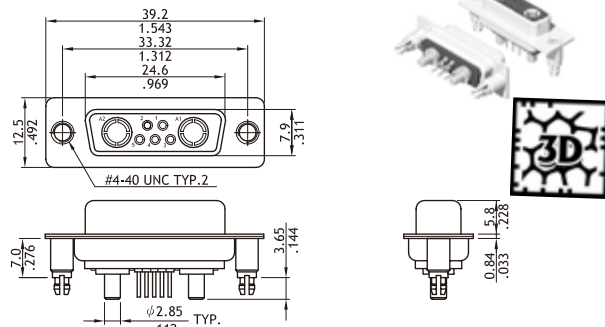
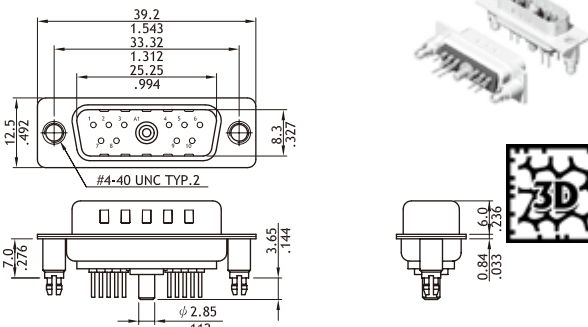
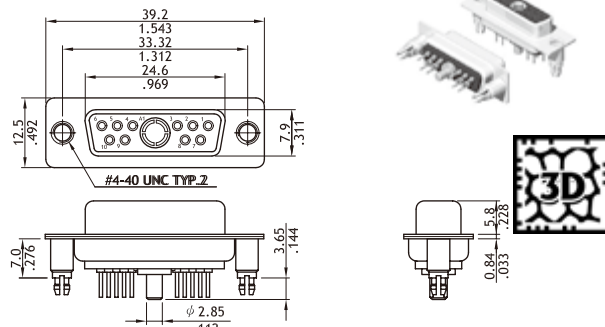
- ① Series No.: C3W3, 3W3C, C7W2, 11W1, C5W5, 13W3, 17W3, C8W8, 21W4, 25W3, 36W4
- ② Connector Type: P = Plug
S = Receptacle
- ③ Contact Type: C = Coaxial Contact
- ④ Contact Tail Style: H = Right Angle DIP Type
- ⑤ Coaxial Contact Plating: 2 = Gold flash over Nickel
- ⑥ Signal Contact Plating: 2 = Gold flash over Nickel
0 = Without Signal Contact

- ⑦ Insulator Color: 1 = Black
 - ⑧ Performance: 50 = 50Ω, 75 = 75Ω
 - ⑨ Mounting Style:
000 = With ϕ 3.05mm holes on shell
B00 = Riveted #4-40 UNC Close nuts on Front shell
C00 = Riveted #4-40 UNC Open nuts on Rear shell
I00 = Riveted #4-40 UNC Ground tabs with ϕ 3.2mm holes
I10 = Riveted #4-40 UNC Ground tabs with board locks (Standard)
- *Special options consult manufacturer

20A High Power Straight DIP Solder Combination D-Sub

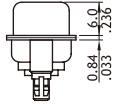
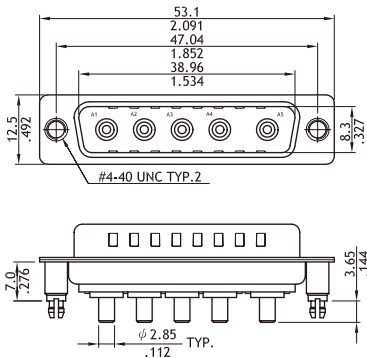
- ⊙ Standard type with #4-40 UNC threaded ground stand-off
- ⊙ Combined with stamped signal and machined 20A high power contacts
- ⊙ For top entry connection
- ⊙ Metal shell with ground indents
- ⊙ Riveted Hex nuts or hardware accessories options available

RoHS Compliant  

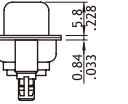
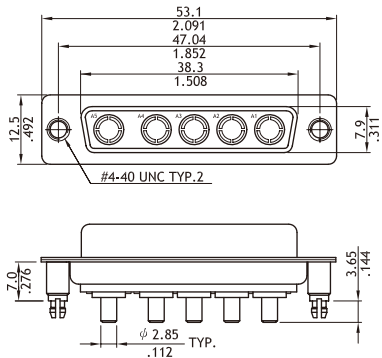
<p>C3W3 (Plug Connector)</p> 	<p>C3W3 (Receptacle Connector)</p> 
<p>3W3C (Plug Connector)</p> 	<p>3W3C (Receptacle Connector)</p> 
<p>C7W2 (Plug Connector)</p> 	<p>C7W2 (Receptacle Connector)</p> 
<p>11W1 (Plug Connector)</p> 	<p>11W1 (Receptacle Connector)</p> 

20A High Power Straight DIP Solder Combination D-Sub

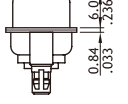
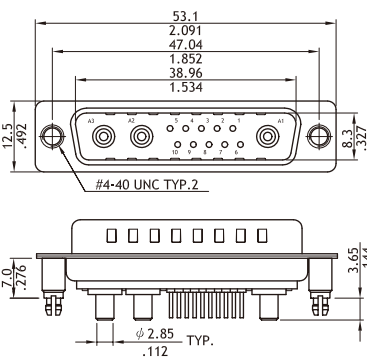
C5W5 (Plug Connector)



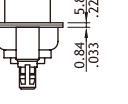
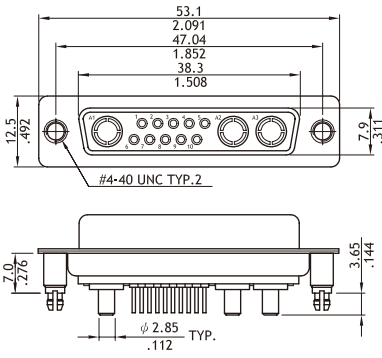
C5W5 (Receptacle Connector)



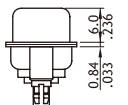
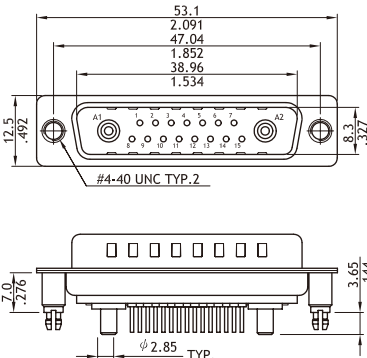
13W3 (Plug Connector)



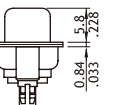
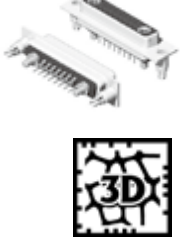
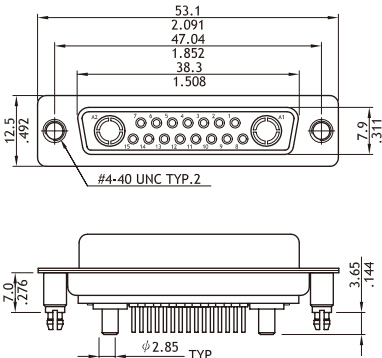
13W3 (Receptacle Connector)



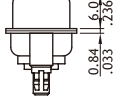
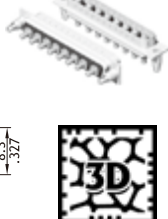
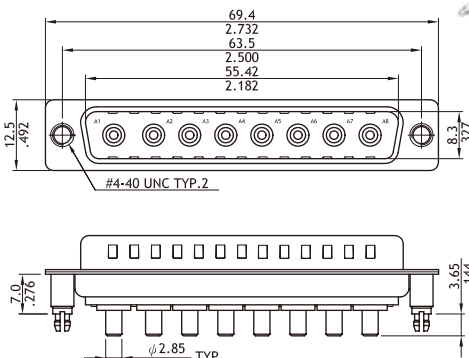
17W2 (Plug Connector)



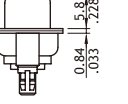
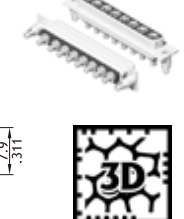
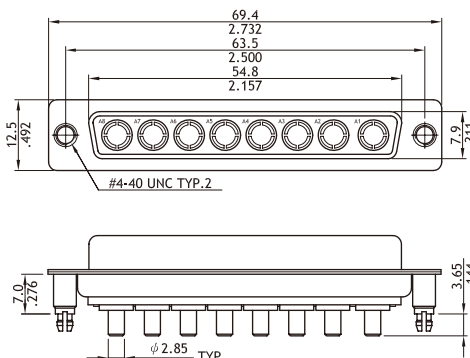
17W2 (Receptacle Connector)



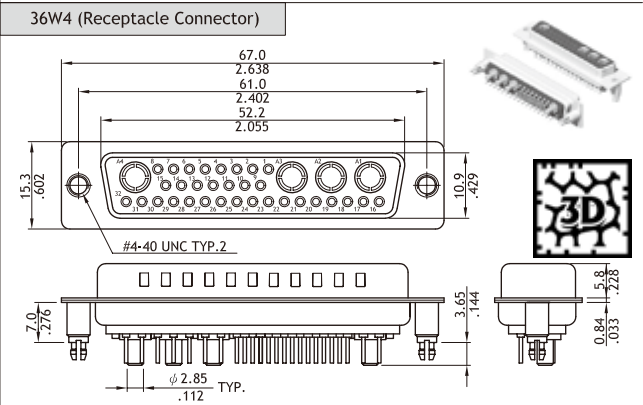
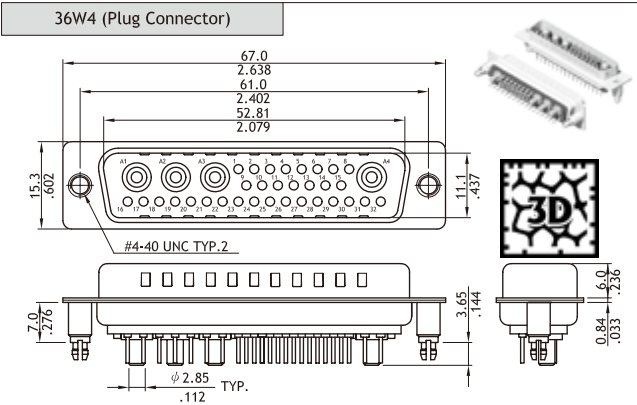
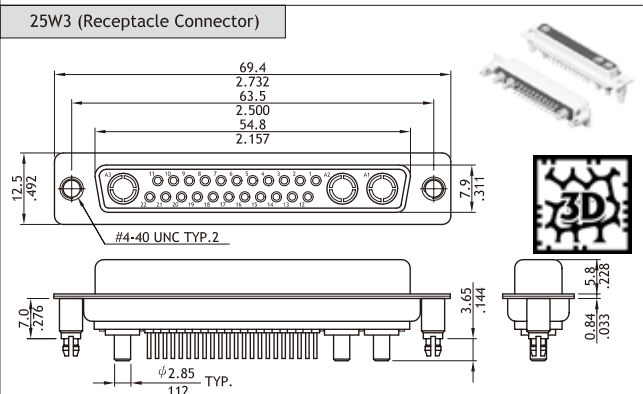
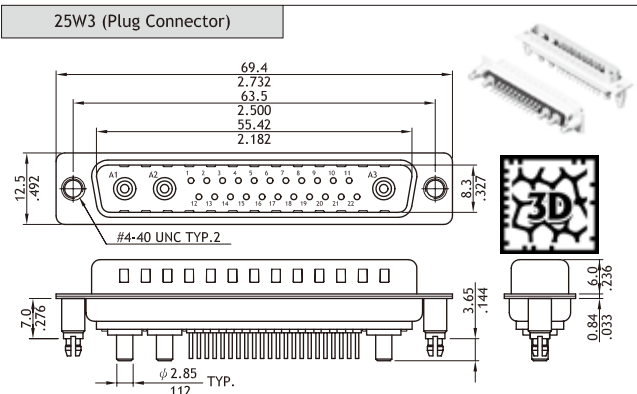
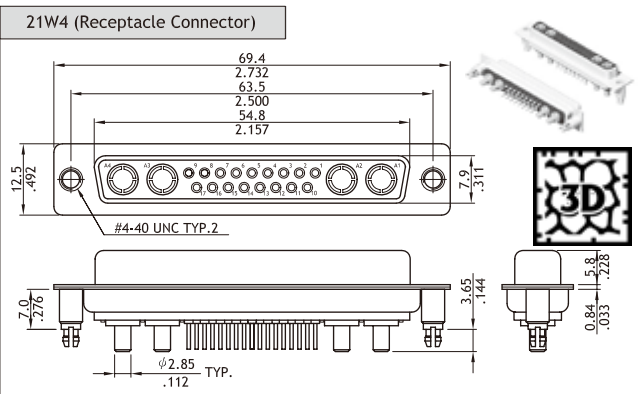
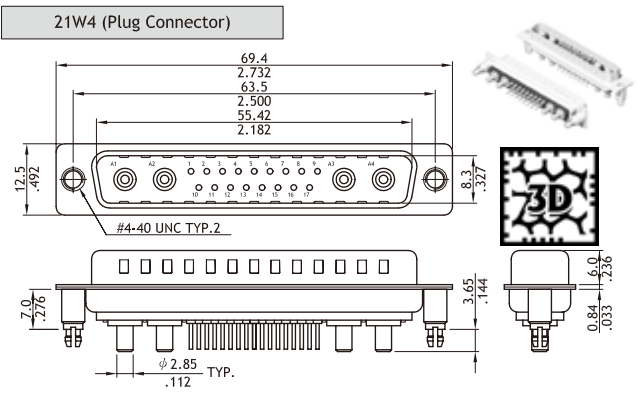
C8W8 (Plug Connector)



C8W8 (Receptacle Connector)



20A High Power Straight DIP Solder Combination D-Sub



Ordering Code

① ② ③ ④ ⑤ ⑥ ⑦ ⑧ ⑨

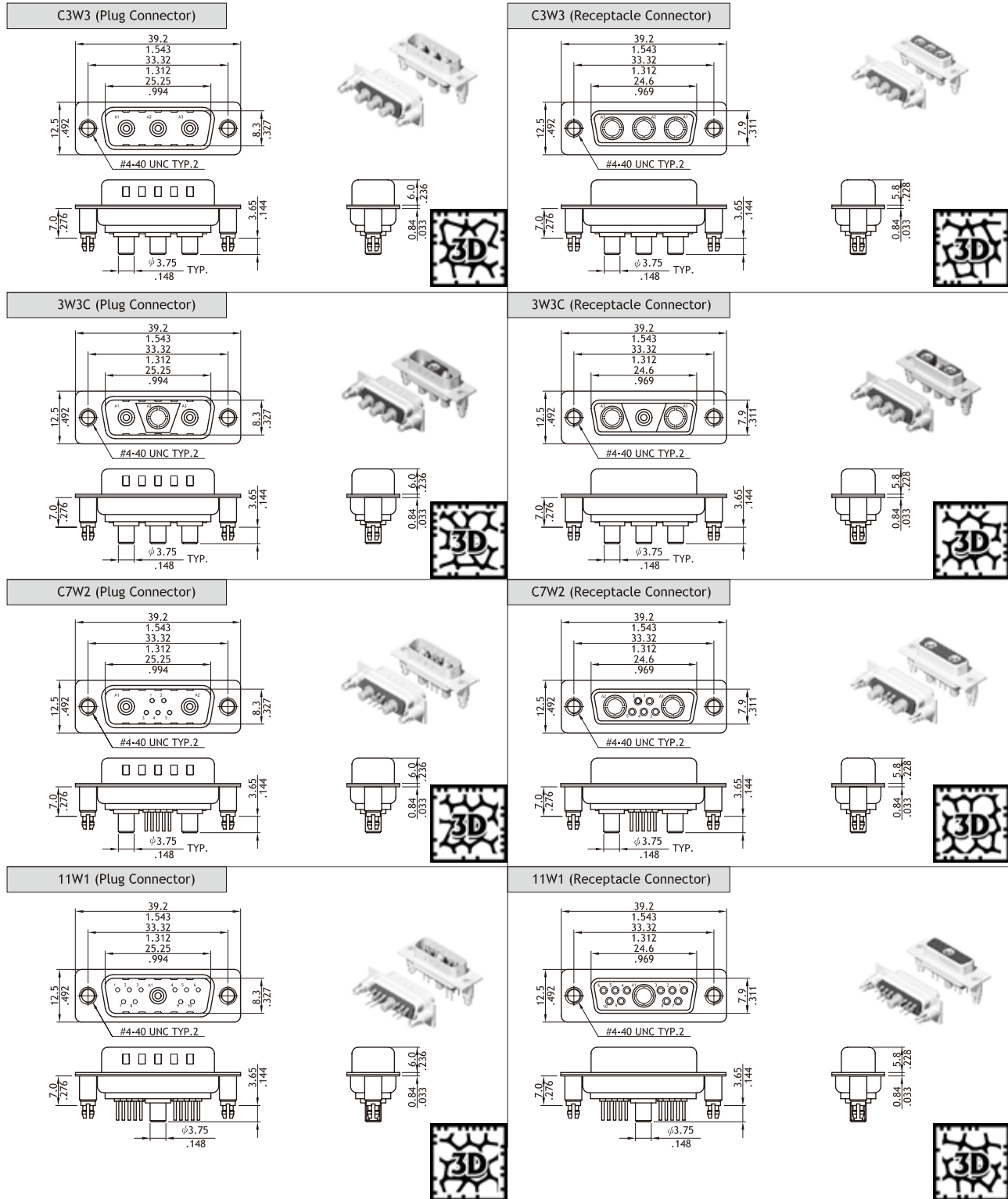
1 3 W 3 S P V 2 2 1 2 0 D 0 0

- ① Series No.: C3W3, 3W3C, C7W2, 11W1, C5W5, 13W3, 17W3, C8W8, 21W4, 25W3, 36W4
- ② Connector Type: P = Plug
S = Receptacle
- ③ Contact Type: P = High power Contact
- ④ Contact Tail Style: V = Straight DIP Type
- ⑤ Coaxial Contact Plating: 2 = Gold flash over Nickel
- ⑥ Signal Contact Plating: 2 = Gold flash over Nickel
0 = Without Signal Contact
- ⑦ Insulator Color: 1 = Black
- ⑧ Performance: 20 = 20A
- ⑨ Mounting Style:
000 = With $\phi 3.05$ mm holes on shell
A00 = Riveted #4-40 UNC Close nuts on Front shell
B00 = Riveted #4-40 UNC Open nuts on Front shell
C00 = Riveted #4-40 UNC Open nuts on Rear shell
D00 = Riveted #4-40 UNC Ground Stand-off (Standard)
*Special options consult manufacturer

40A High Power Straight DIP Solder Combination D-Sub

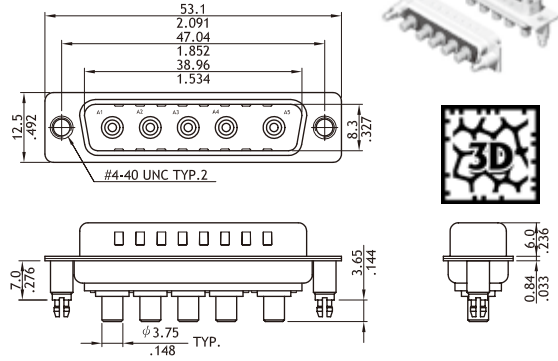
- ⊙ Standard type with #4-40 UNC threaded ground stand-off
- ⊙ Combined with stamped signal and machined 40A high power contacts
- ⊙ For top entry connection
- ⊙ Metal shell with ground indents
- ⊙ Riveted Hex nuts or hardware accessories options available

RoHS Compliant 

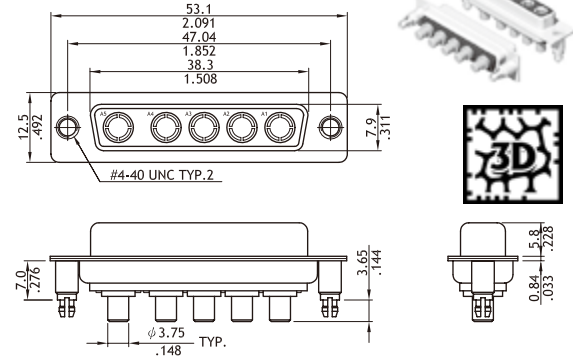


40A High Power Straight DIP Solder Combination D-Sub

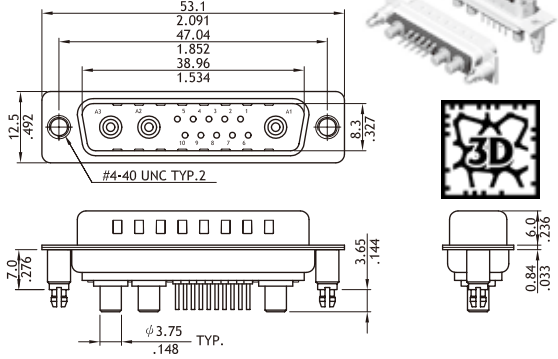
C5W5 (Plug Connector)



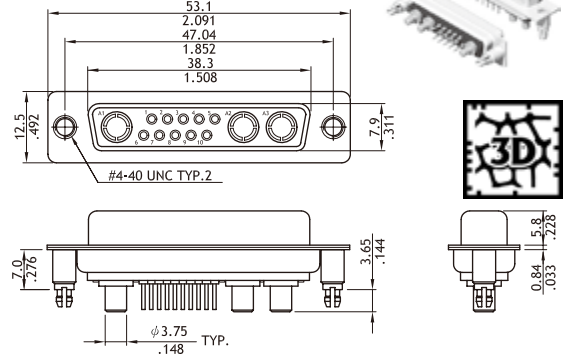
C5W5 (Receptacle Connector)



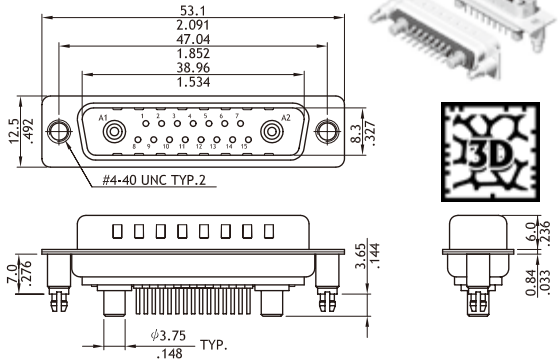
13W3 (Plug Connector)



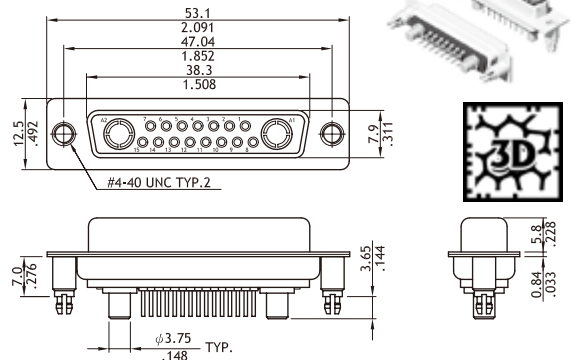
13W3 (Receptacle Connector)



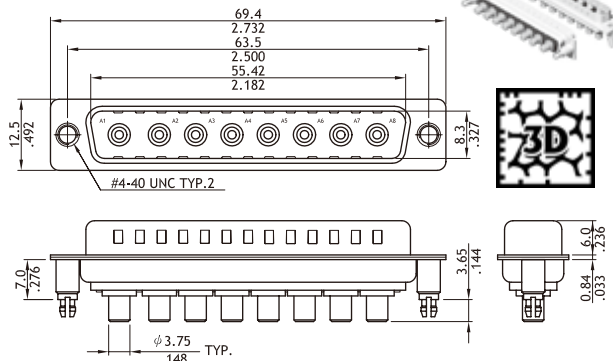
17W2 (Plug Connector)



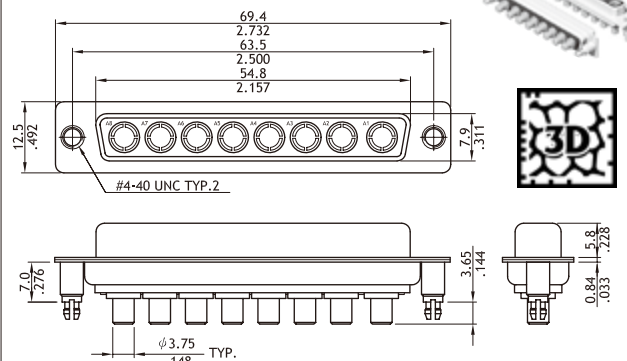
17W2 (Receptacle Connector)



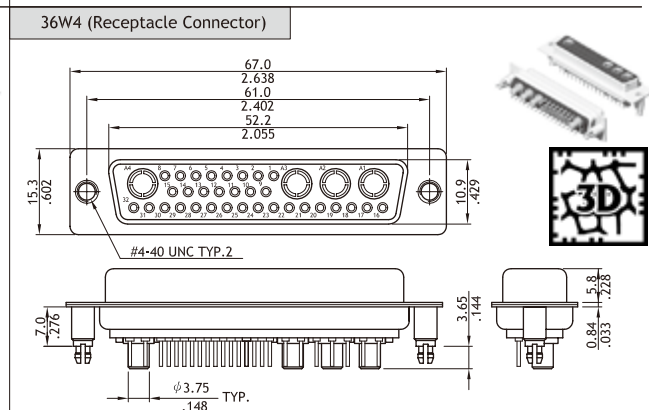
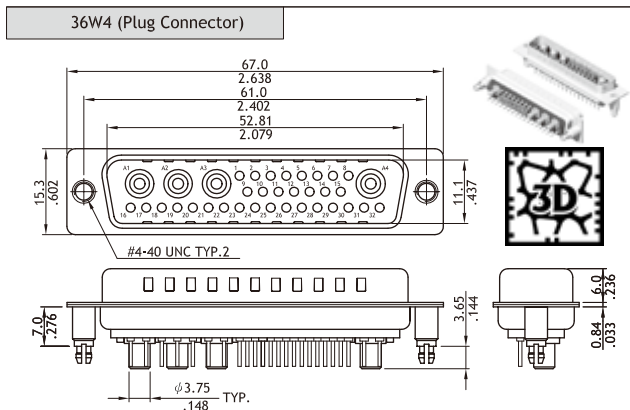
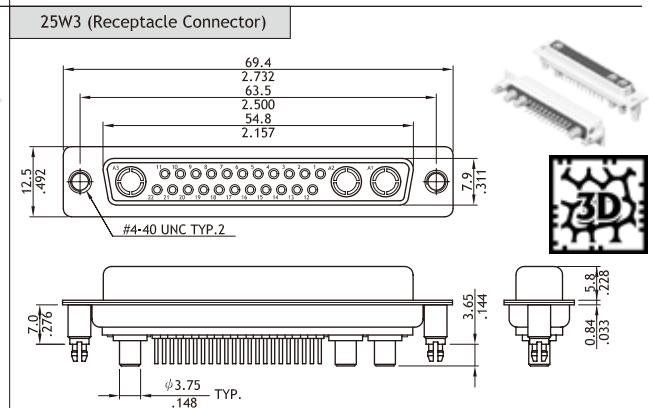
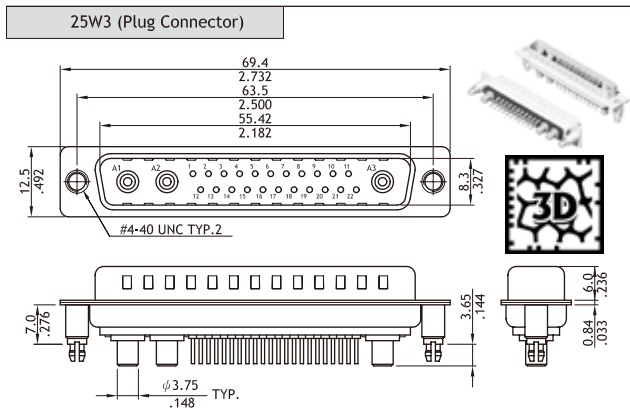
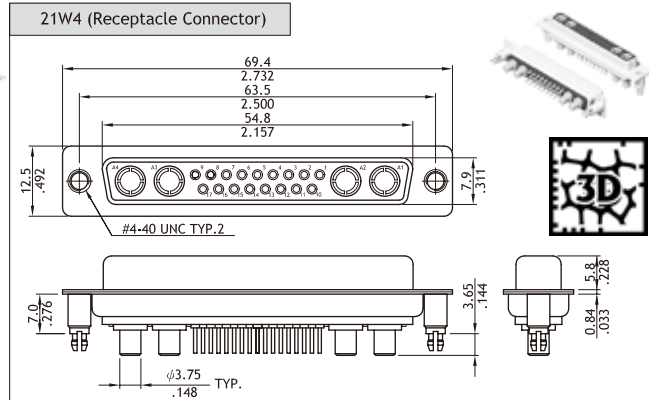
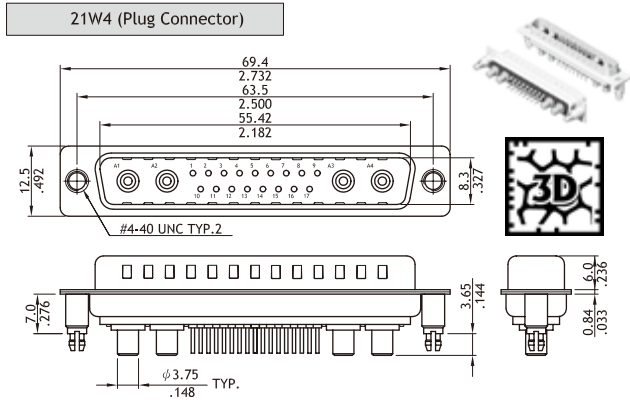
C8W8 (Plug Connector)



C8W8 (Receptacle Connector)



40A High Power Straight DIP Solder Combination D-Sub



Ordering Code

① 1 3 W 3 ② S ③ P ④ V ⑤ 2 ⑥ 2 ⑦ 1 ⑧ 40 ⑨ D 0 0

- ① Series No.: C3W3, 3W3C, C7W2, 11W1, C5W5, 13W3, 17W3, C8W8, 21W4, 25W3, 36W4
- ② Connector Type: P = Plug
S = Receptacle
- ③ Contact Type: P = High power Contact
- ④ Contact Tail Style: V = Straight DIP Type
- ⑤ Coaxial Contact Plating: 2 = Gold flash over Nickel
- ⑥ Signal Contact Plating: 2 = Gold flash over Nickel
0 = Without Signal Contact

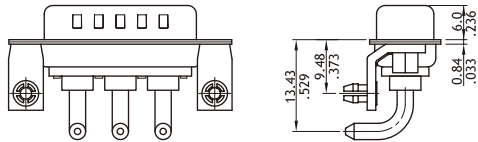
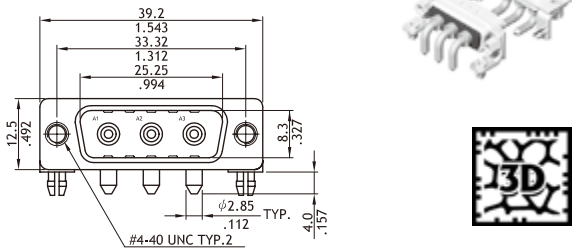
- ⑦ Insulator Color: 1 = Black
- ⑧ Performance: 40 = 40A
- ⑨ Mounting Style:
000 = With $\phi 3.05$ mm holes on shell
A00 = Riveted #4-40 UNC Close nuts on Front shell
B00 = Riveted #4-40 UNC Open nuts on Front shell
C00 = Riveted #4-40 UNC Open nuts on Rear shell
D00 = Riveted #4-40 UNC Ground Stand-off (Standard)
*Special options consult manufacturer

20A High Power Right Angle DIP Combination D-Sub

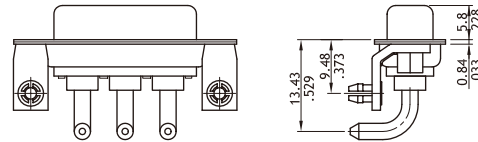
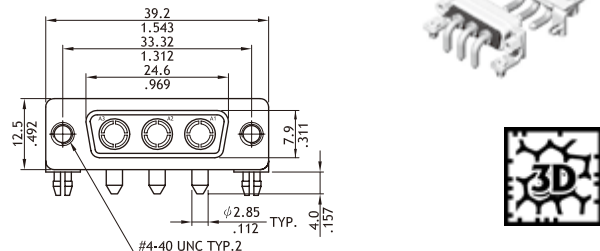
- ⊙ Standard type with #4-40 UNC threaded ground tabs and board locks to secure connector on board
- ⊙ Combined with stamped signal and machined 20A high power contacts
- ⊙ For side entry connection
- ⊙ Metal shell with ground indents
- ⊙ Riveted Hex nuts or hardware accessories options available

RoHS Compliant

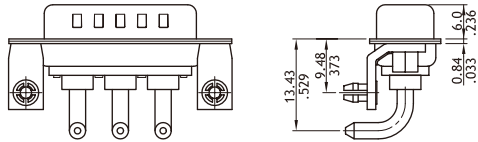
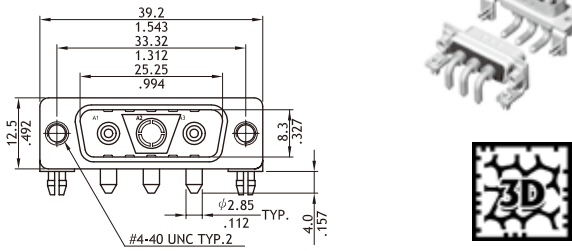
C3W3 (Plug Connector)



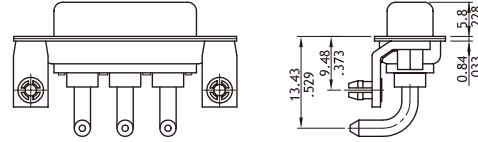
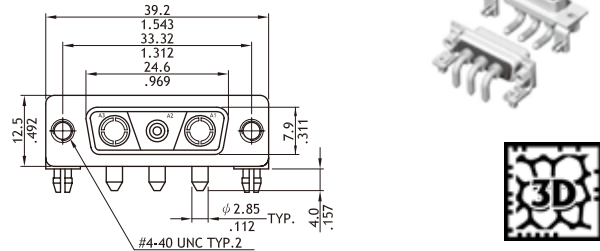
C3W3 (Receptacle Connector)



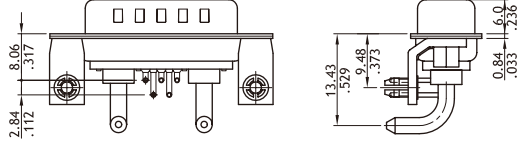
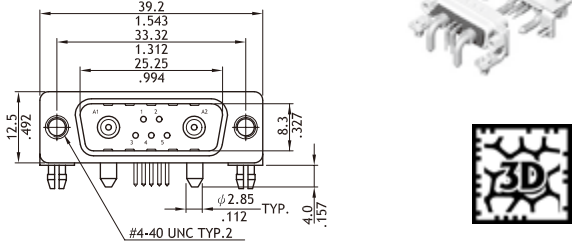
3W3C (Plug Connector)



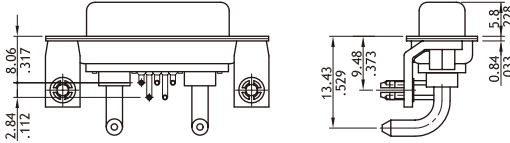
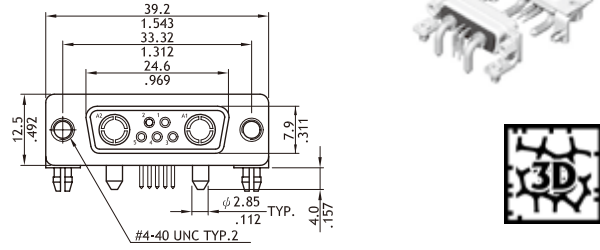
3W3C (Receptacle Connector)



C7W2 (Plug Connector)

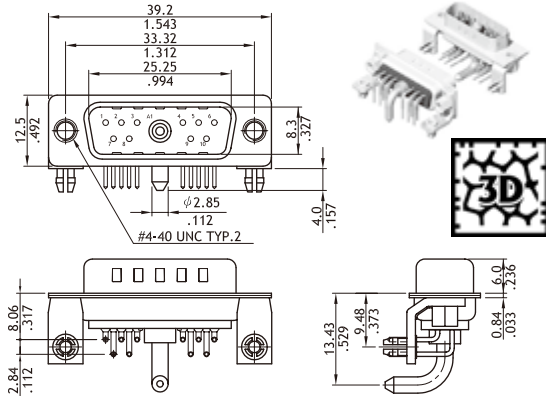


C7W2 (Receptacle Connector)

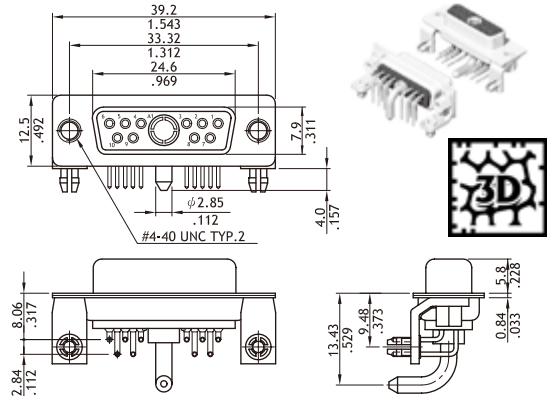


20A High Power Right Angle DIP Combination D-Sub

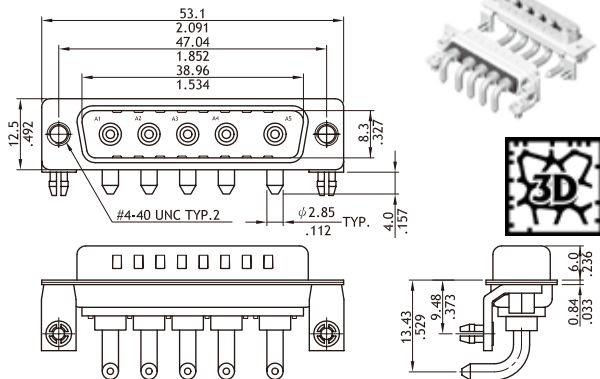
11W1 (Plug Connector)



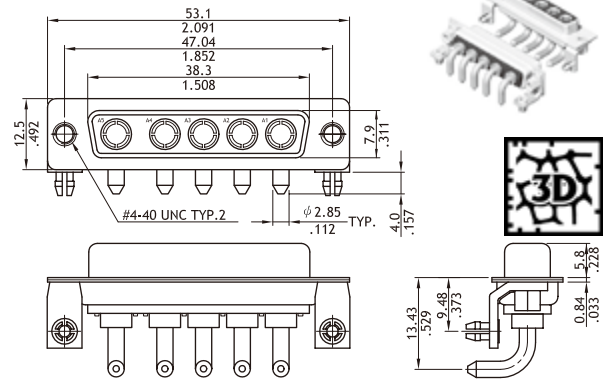
11W1 (Receptacle Connector)



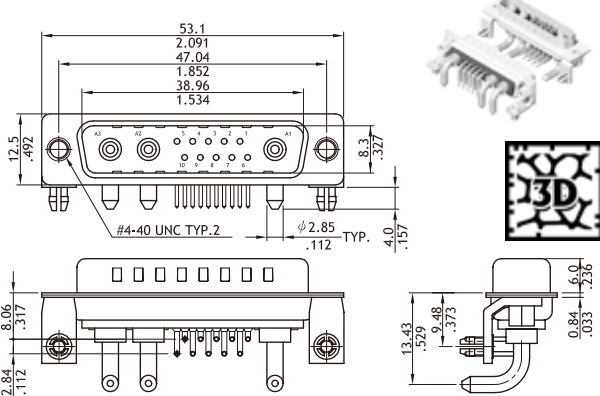
C5W5 (Plug Connector)



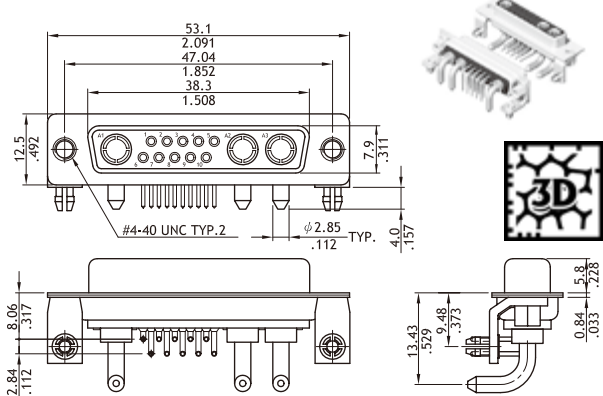
C5W5 (Receptacle Connector)



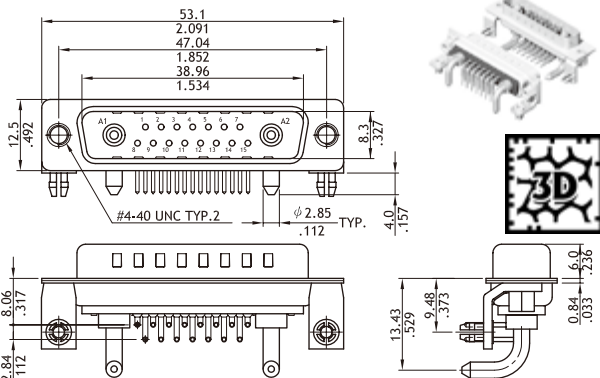
13W3 (Plug Connector)



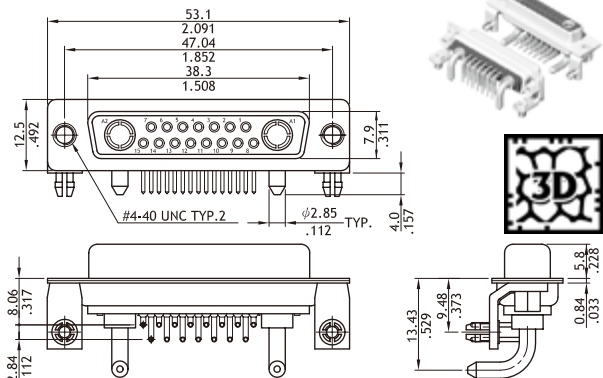
13W3 (Receptacle Connector)



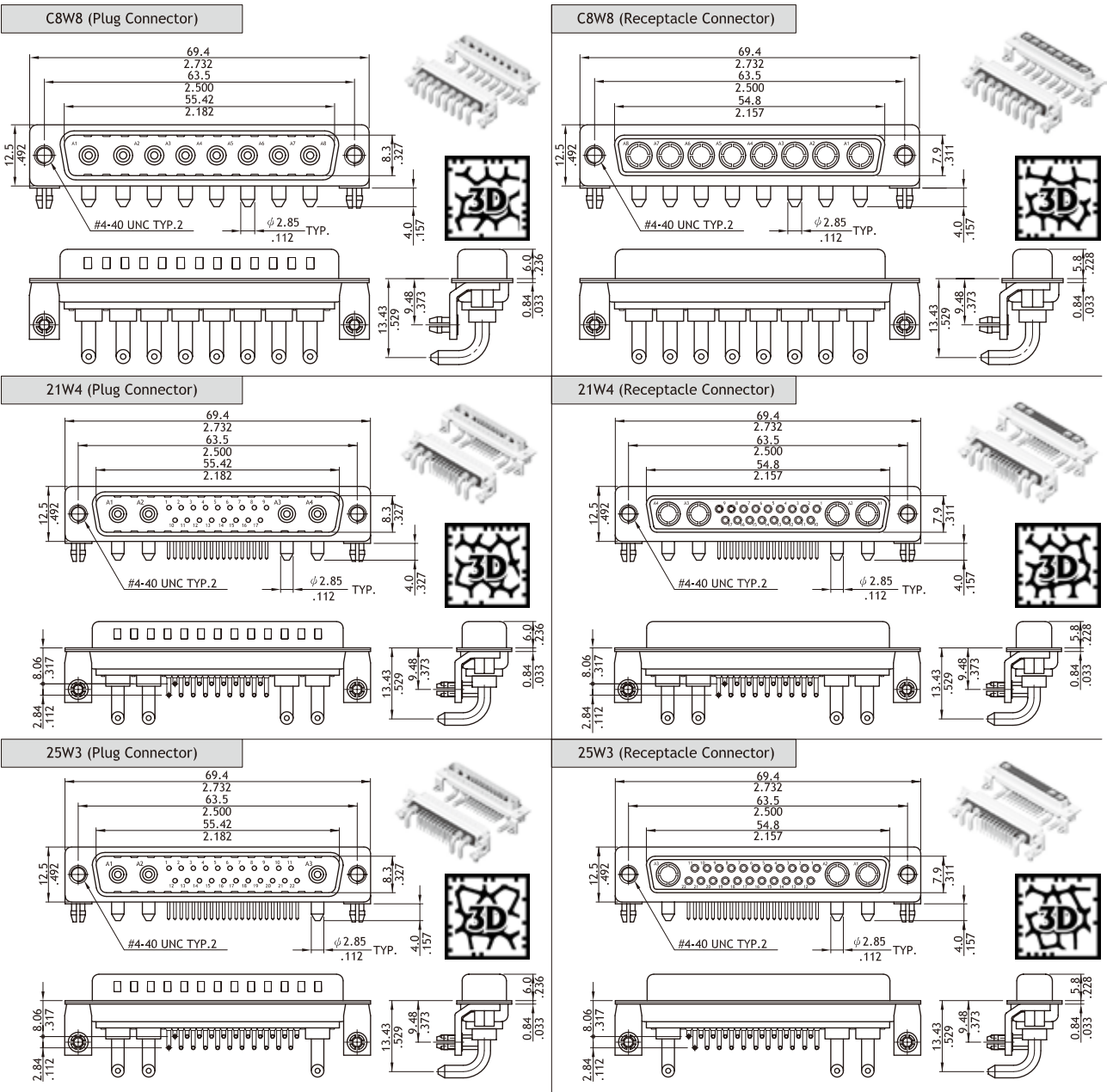
17W2 (Plug Connector)



17W2 (Receptacle Connector)



20A High Power Right Angle DIP Combination D-Sub



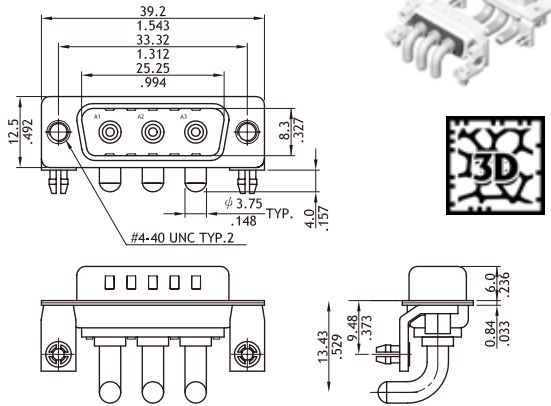
Ordering Code	①	②	③	④	⑤	⑥	⑦	⑧	⑨
	13W3	S	P	H	2	2	1	2	100
① Series No.:	C3W3, 3W3C, C7W2, 11W1, C5W5, 13W3, 17W3, C8W8, 21W4, 25W3, 36W4								
② Connector Type:	P = Plug S = Receptacle								
③ Contact Type:	P = High power Contact								
④ Contact Tail Style:	H = Right Angle DIP Type								
⑤ High Power Contact Plating:	2 = Gold flash over Nickel								
⑥ Signal Contact Plating:	2 = Gold flash over Nickel 0 = Without Signal Contact								
⑦ Insulator Color:	1 = Black								
⑧ Performance:	20 = 20A								
⑨ Mounting Style:	000 = With ϕ 3.05mm holes on shell B00 = Riveted #4-40 UNC Open nuts on Front shell C00 = Riveted #4-40 UNC Open nuts on Rear shell I00 = Riveted #4-40 UNC Ground tabs with ϕ 3.2mm holes I10 = Riveted #4-40 UNC Ground tabs with borad locks *Special options consult manufacturer								

40A High Power Right Angle DIP Combination D-Sub

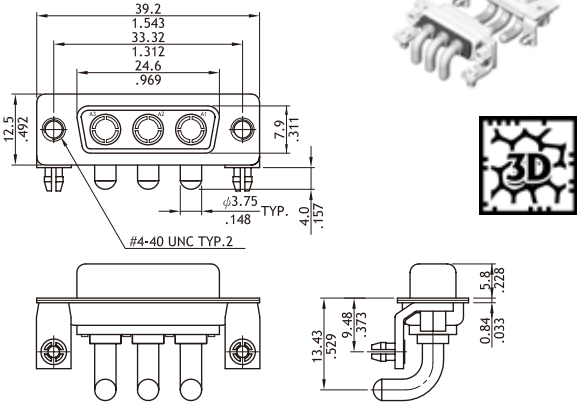
- ⊙ Standard type with #4-40 UNC threaded ground tabs and board locks to secure connector on board
- ⊙ Combined with stamped signal and 40A high power contacts
- ⊙ For side entry connection
- ⊙ Metal shell with ground indents
- ⊙ Riveted Hex nuts or hardware accessories options available

RoHS Compliant  

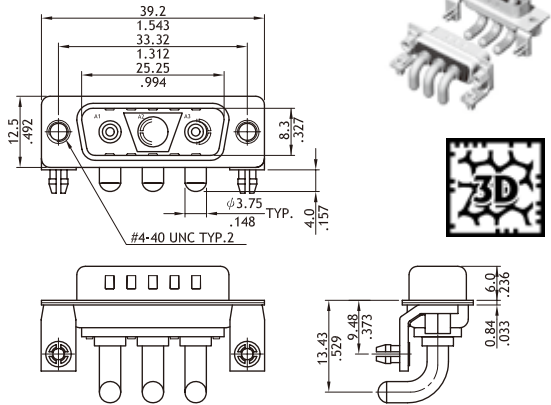
C3W3 (Plug Connector)



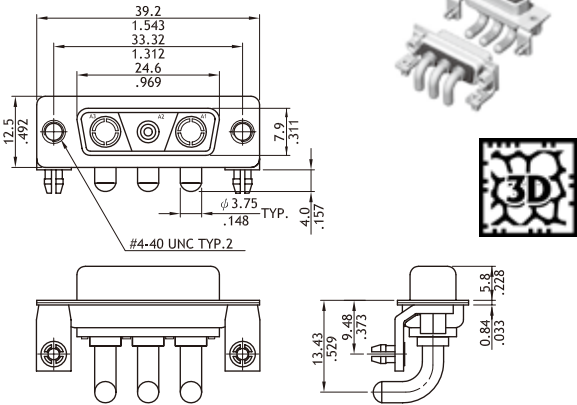
C3W3 (Receptacle Connector)



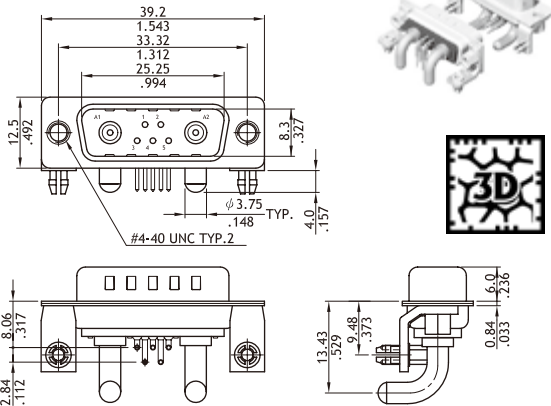
3W3C (Plug Connector)



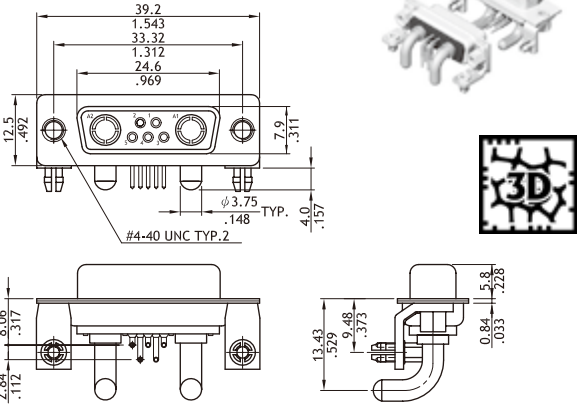
3W3C (Receptacle Connector)



C7W2 (Plug Connector)

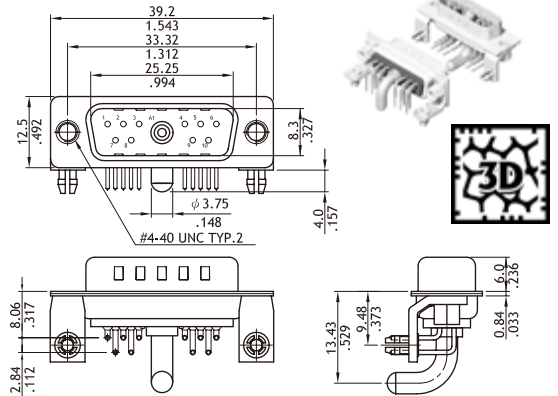


C7W2 (Receptacle Connector)

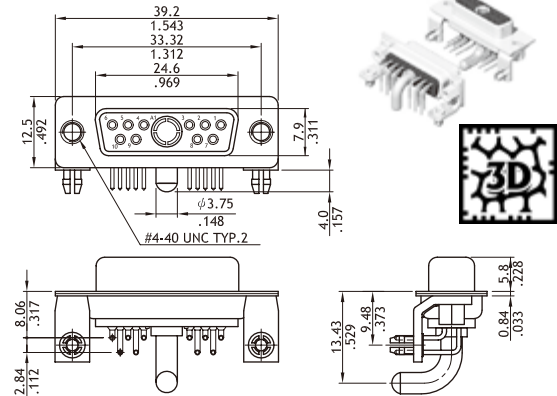


40A High Power Right Angle DIP Combination D-Sub

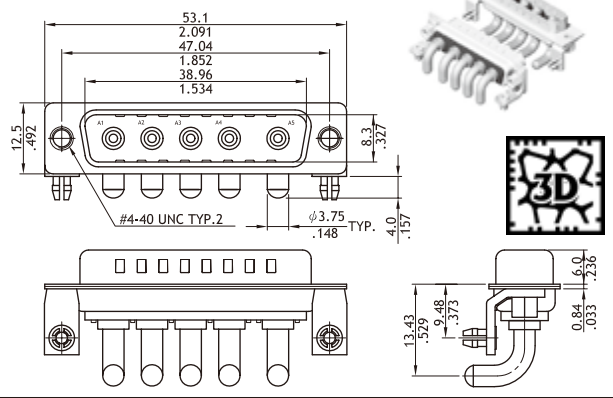
11W1 (Plug Connector)



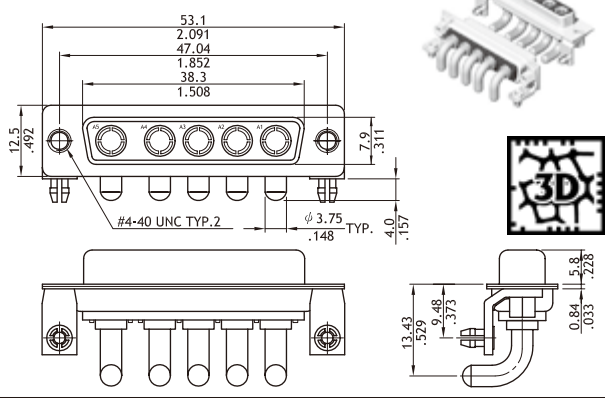
11W1 (Receptacle Connector)



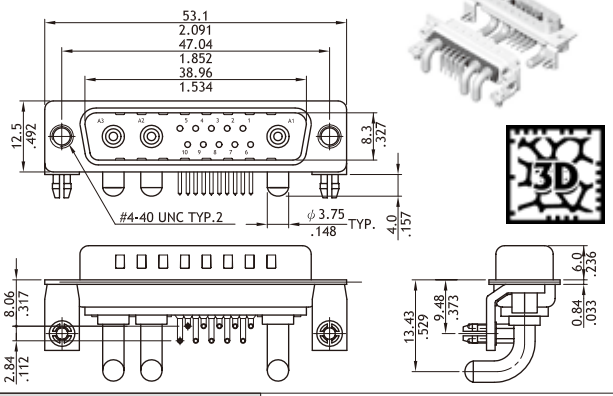
C5W5 (Plug Connector)



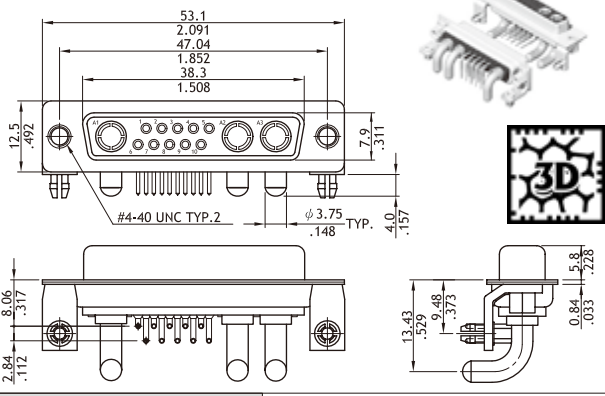
C5W5 (Receptacle Connector)



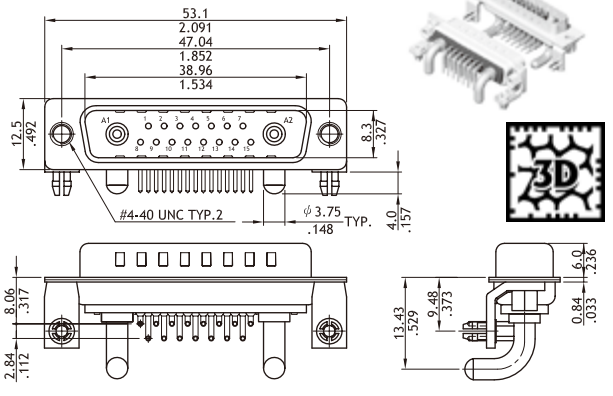
13W3 (Plug Connector)



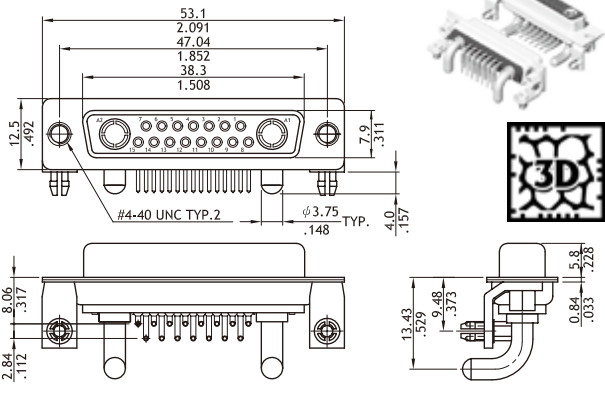
13W3 (Receptacle Connector)



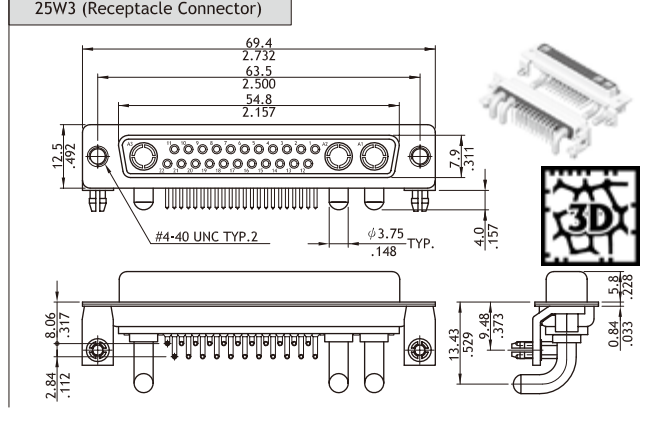
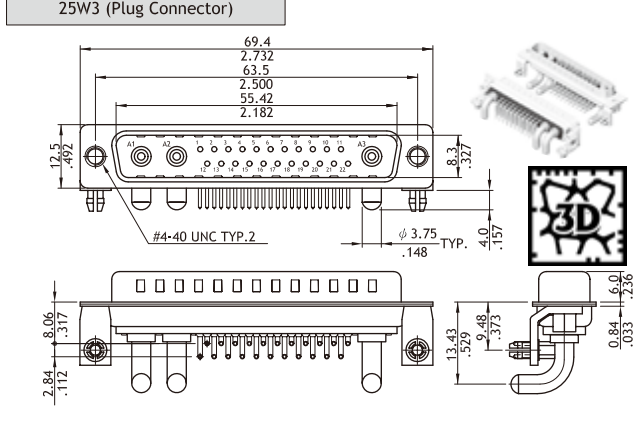
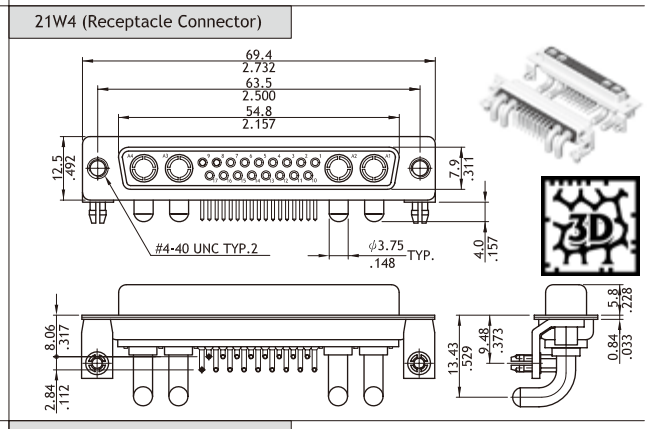
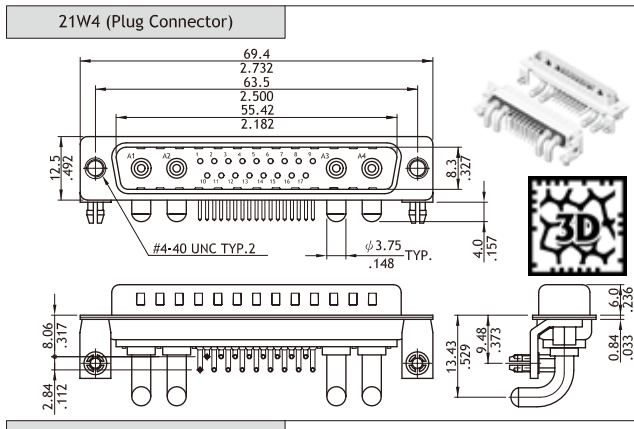
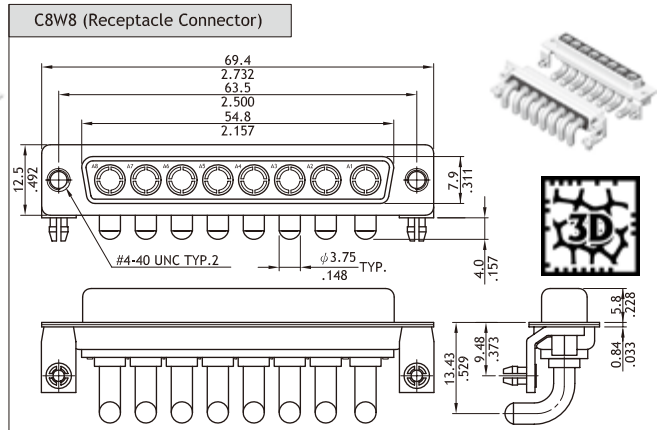
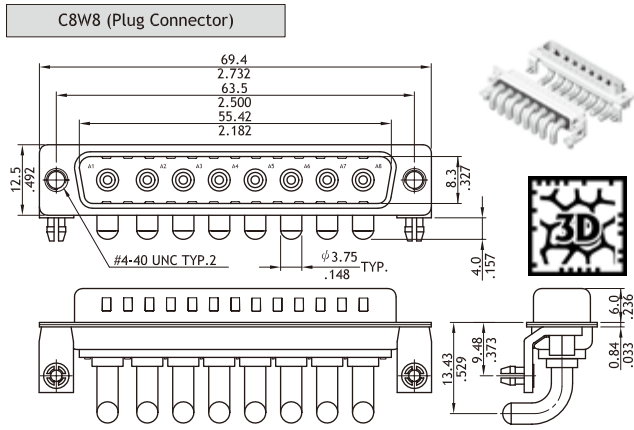
17W2 (Plug Connector)



17W2 (Receptacle Connector)



40A High Power Right Angle DIP Combination D-Sub



Ordering Code

①	②	③	④	⑤	⑥	⑦	⑧	⑨
13W3	S	P	H	2	2	1	40	100

① Series No.: C3W3, 3W3C, C7W2, 11W1, C5W5, 13W3, 17W3, C8W8, 21W4, 25W3, 36W4
 ② Connector Type: P = Plug
 S = Receptacle
 ③ Contact Type: P = High power Contact
 ④ Contact Tail Style: H = Right Angle DIP Type
 ⑤ High Power Contact Plating: 2 = Gold flash over Nickel
 ⑥ Signal Contact Plating: 2 = Gold flash over Nickel
 0 = Without Signal Contact
 ⑦ Insulator Color: 1 = Black
 ⑧ Performance: 40 = 40A
 ⑨ Mounting Style:
 000 = With $\phi 3.05$ mm holes on shell
 B00 = Riveted #4-40 UNC Open nuts on Front shell
 C00 = Riveted #4-40 UNC Open nuts on Rear shell
 I00 = Riveted #4-40 UNC Ground tabs with $\phi 3.2$ mm holes
 I10 = Riveted #4-40 UNC Ground tabs with board locks (Standard)
 *Special options consult manufacturer