

System CU Technical Specifications

USB

Electrical Data-

Current rating: 1 Amps max
 Dielectric Withstanding: 750 VAC for one minute
 Contact Resistance: < 30 m Ω
 Insulation Resistance: > 1000 M Ω
 Operating Temperature: 0°C ~ +85°C

Construction-

Through hole type Insulator: Glass Filled Polyester
 Surface mount type Insulator: High temperature plastic
 Flammability Rating: UL 94V-0
 Contacts: Copper Alloy
 Plating options: Selective Gold on surface contact area
 Please see plating code for other options

IEEE 1394

Electrical Data-

Current rating: 1.5 Amps max.
 Dielectric Withstanding: 500 VAC for one minute
 Contact Resistance: < 50 m Ω
 Insulation Resistance: > 100 M Ω
 Operating Temperature: -40°C ~ +85°C

Construction-

Through hole type Insulator: Glass Filled Polyester
 Surface mount type Insulator: High temperature plastic
 Flammability Rating: UL 94V-0
 Contacts: Copper Alloy
 Plating options: Selective Gold on contact area
 Please see plating code for other options

HDMI

Electrical Data-

Current rating: 0.5 Amps min.
 Dielectric Withstanding: 500 VAC for one minute
 Contact Resistance: < 10 m Ω
 Insulation Resistance: > 100 M Ω
 Operating Temperature: -20°C ~ +85°C
 TMDS Signal Time Domain impedance: 100 Ω \pm 15%
 TMDS Signal Time Domain Cross talk FEXT: 5% Max.

Construction-

Through hole type Insulator: Glass Filled Polyester
 Surface mount type Insulator: High temperature plastic
 Flammability Rating: UL 94V-0
 Contacts: Copper Alloy
 Plating options: Selective Gold on contact area
 Please see plating code for other options

USB 3.0

Electrical Data-

Current rating: 1.8 Amps max
 Dielectric Withstanding: 500 VAC for one minute
 Contact Resistance: < 30 m Ω
 Insulation Resistance: > 1000 M Ω
 Operating Temperature: -35°C to +85°C

Construction-

Through hole type Insulator: Glass Filled Polyester
 Surface mount type Insulator: High Temperature plastic
 Flammability Rating: UL 94V-0
 Contacts: Phosphor Bronze
 Plating options: Selective Gold on contact area
 Please see plating code for other options

USB 3.1 Type C

Electrical Data-

Current rating: 5 Amps max
 Dielectric Withstanding: 100 VAC for one minute
 Contact Resistance: < 10 m Ω
 Insulation Resistance: > 100 M Ω
 Operating Temperature: -40°C to +80°C

Construction-

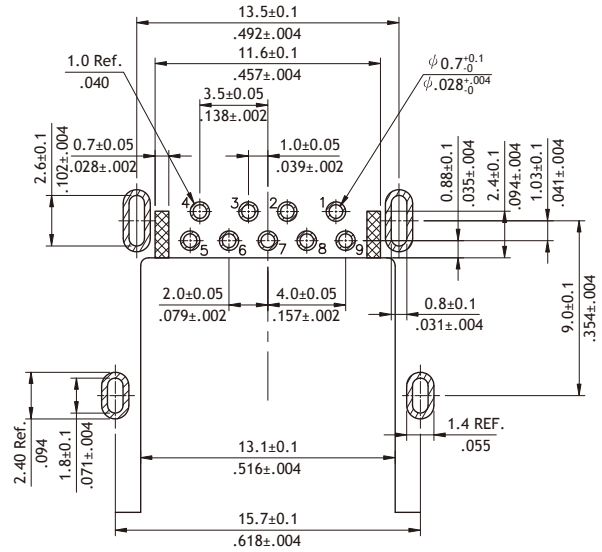
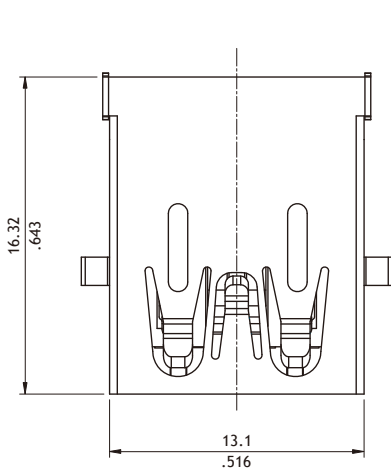
Insulator: Thermoplastic
 Flammability Rating: UL 94V-0
 Contacts: Copper Alloy
 Plating options: Selective Gold on contact area
 Please see plating code for other options

CU12 Series USB3.0 Board Mount Connectors

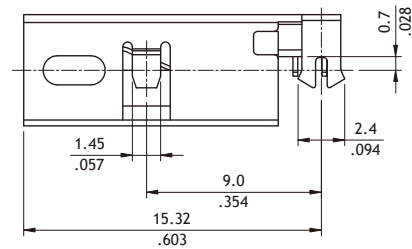
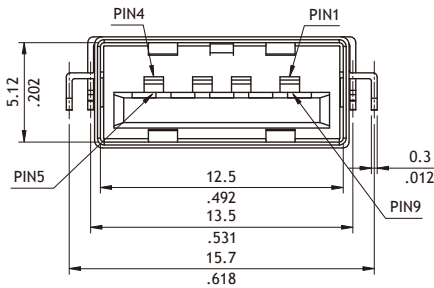
- Ⓞ Designed to meet the USB 3.0 specifications
- Ⓞ RoHS Compliant
- Ⓞ High durability and long cycle life



RoHS Compliant



Contact solder Pad
 Plastic stand off
Recommended PCB Layout



Ordering Code

① ② ③ ④ ⑤ ⑥ ⑦
CU12 S A H 7 S C0

- ① Series No.
- ② S = Socket
- ③ Plating Option:
A = Selective Gold flash plated over Nickel
- ④ Tail Type: H = Right Angle
- ⑤ Insulator Color: 7 = Blue
- ⑥ Type: S = Single port
- ⑦ Other Options: C0 = Standard

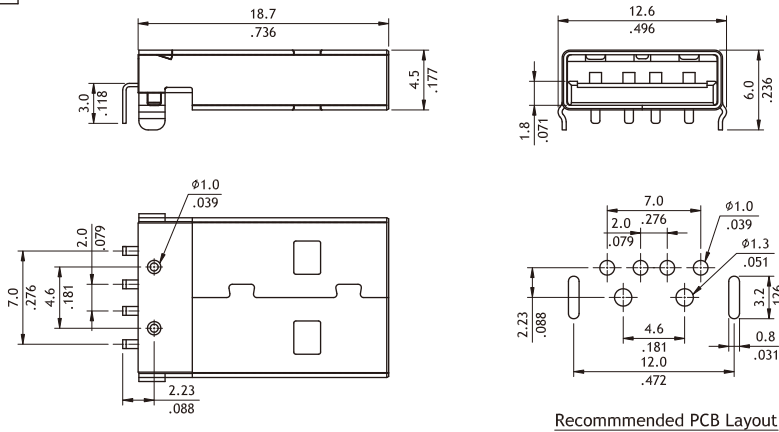
CU01 Series USB2.0 Type-A Board Mount Plug Connectors

- ⊙ Single 4-position plug connector
- ⊙ Designed to meet the USB 2.0 specifications
- ⊙ With grounding hooks

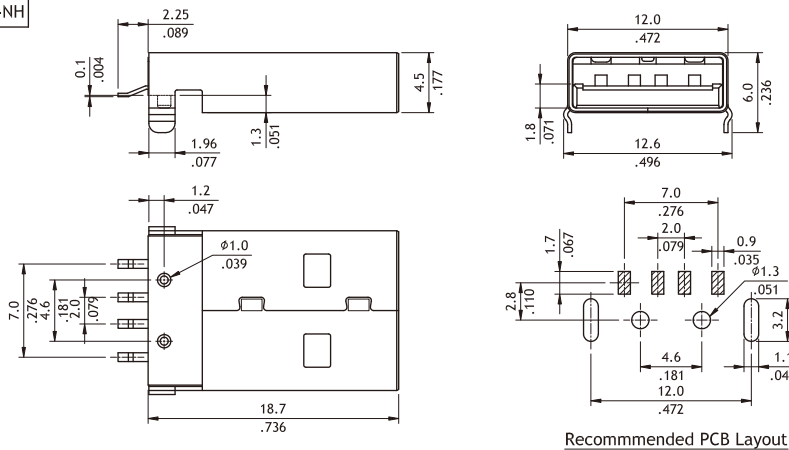


RoHS Compliant  

P/N CU01PAH1A00-NH



P/N CU01PAM1A00-NH



Ordering Code

① CU ② 0 ③ 1 ④ P ⑤ A ⑥ M ⑦ 1 ⑧ A ⑨ 0 ⑩ - ⑪ NH

- ① Series No.
- ② P = Plug
- ③ Plating Option:
A = Selective Gold flash plated over Nickel
- ④ Tail Type: M = SMT Type
- ⑤ Insulator Color: 1 = Black
0 = White
- ⑥ Other Options: A00 = Tube
AR0 = Tape & Reel (only for SMT Type)
- ⑦ Process: -NH = For Lead Free IR Process and Halogen-Free

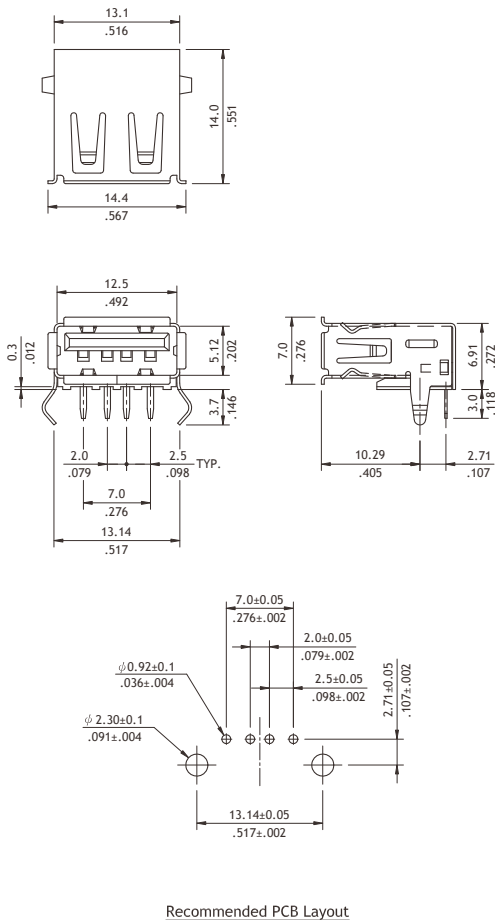
CU01 Series USB2.0 Type-A Receptacle Connectors

- ⊙ 2.0mm centerline and 2.5mm centerline power contacts
- ⊙ High durability and long cycle life
- ⊙ Designed to meet the USB 2.0 specifications

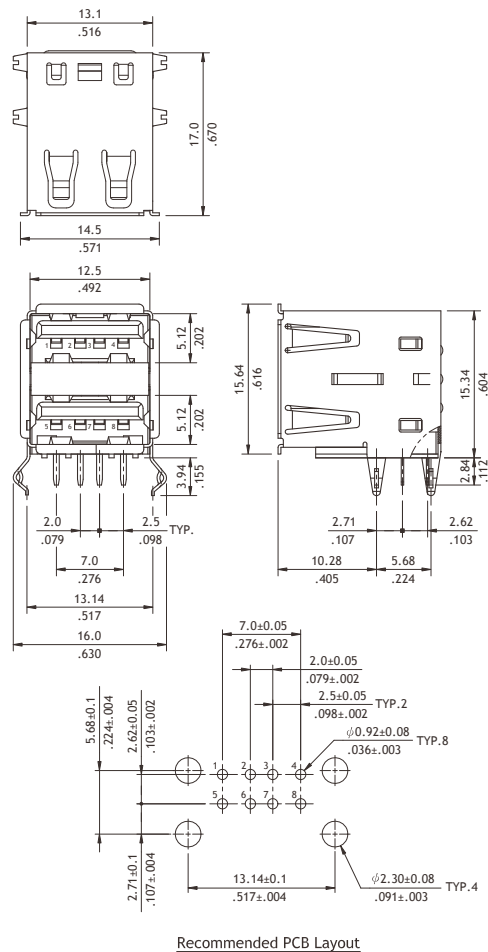


RoHS Compliant

P/N CU01SAH1S00



P/N CU01SAH1D0A



Ordering Code

① ② ③ ④ ⑤ ⑥ ⑦
C U 01 S A H 1 S 0 0

- ① Series No.
- ② S = Receptacle
- ③ Plating Option:
A = Selective Gold flash over Nickel
- ④ Tail Type: H = Right Angle
- ⑤ Insulator Color: 1 = Black
0 = White
- ⑥ Type: S = Single Port
D = Dual Ports
- ⑦ Other Options: 00 = Standard
0A = Dual Type

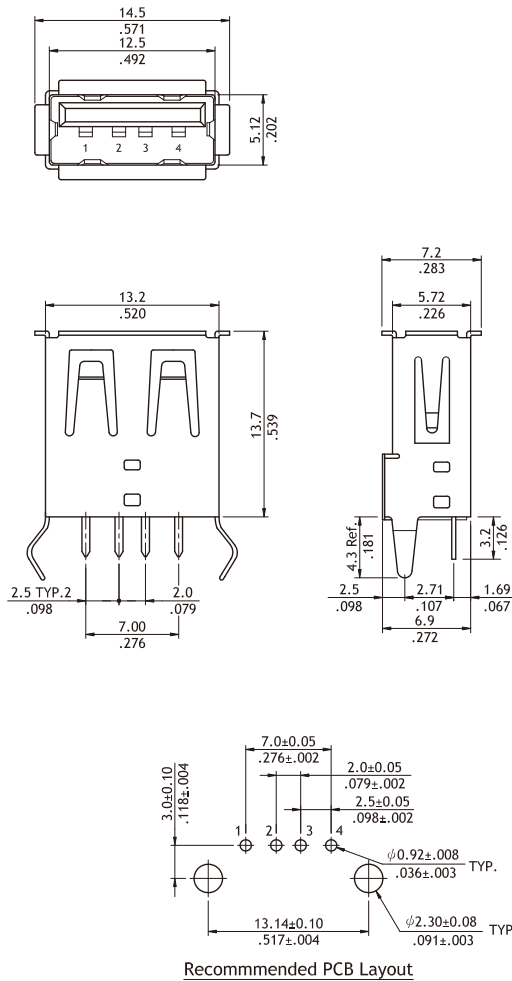
CU01 Series USB2.0 Type-A Receptacle Connectors

- Ⓞ 2.0mm centerline and 2.5mm centerline power contacts
- Ⓞ High durability and long cycle life
- Ⓞ Designed to meet the USB 2.0 specifications

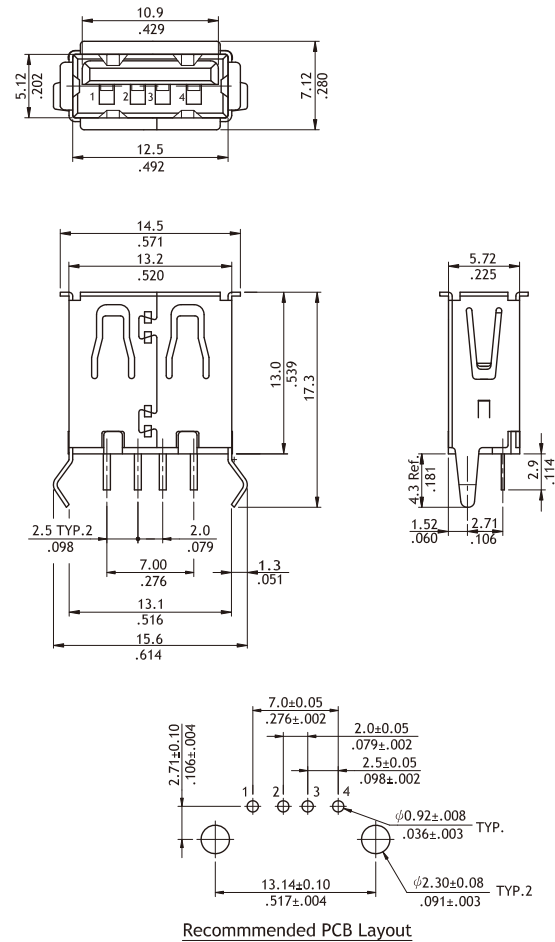


RoHS Compliant

P/N CU01S*V*S00



P/N CU01S*V1S0A-L



Ordering Code

① ② ③ ④ ⑤ ⑥ ⑦
CU01 S A V 1 S 00

- ① Series No.
- ② S = Receptacle
- ③ Plating Option:
A = Selective Gold flash plated over Nickel
- ④ Tail Type: V = Straight
- ⑤ Insulator Color: 1 = Black
- ⑥ Type: S = Single Port
- ⑦ Other Options: 00 = Standard
0A-L = Low Profile Type

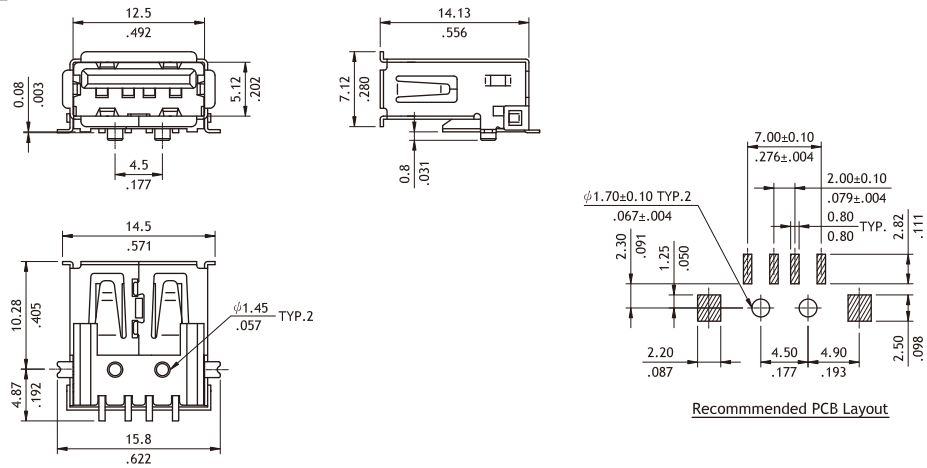
CU01 Series USB2.0 Type-A Receptacle Connectors

- ⊙ High durability and long cycle life
- ⊙ Designed to meet the USB 2.0 specifications

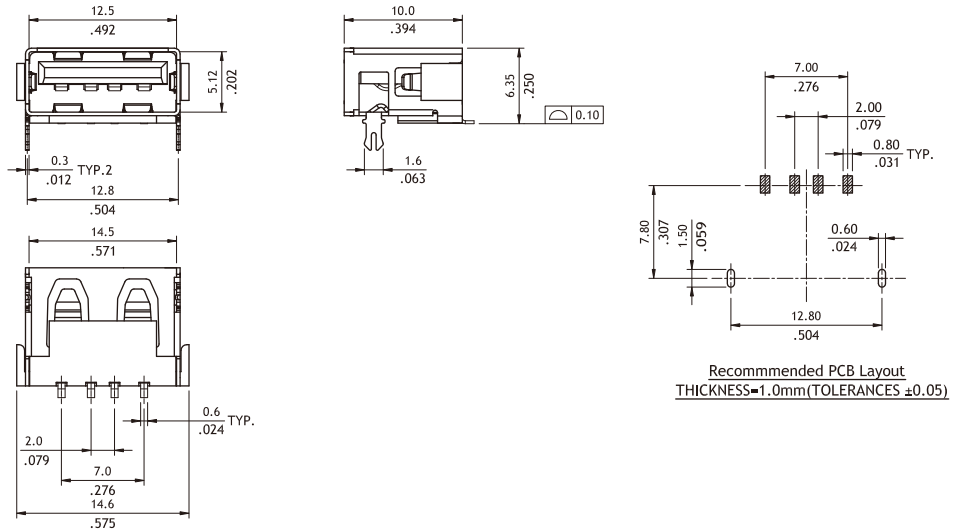


RoHS Compliant

P/N CU01S*M*A*0-NH



P/N CU01SAM1STH-NH



Ordering Code

① CU ② 01 ③ S ④ A ⑤ M ⑥ 1 ⑦ A00 - NH

- ① Series No.
- ② S = Receptacle
- ③ Plating Option:
A = Selective Gold flash plated over Nickel
- ④ Tail Type: M = SMT Type
- ⑤ Insulator Color: 1 = Black
- ⑥ Other Options
A00 = Standard
STH = Tray and Short Types
- ⑦ Process: -NH = Halogen-Free

CU02 Series USB2.0 Type-B Receptacle Connectors

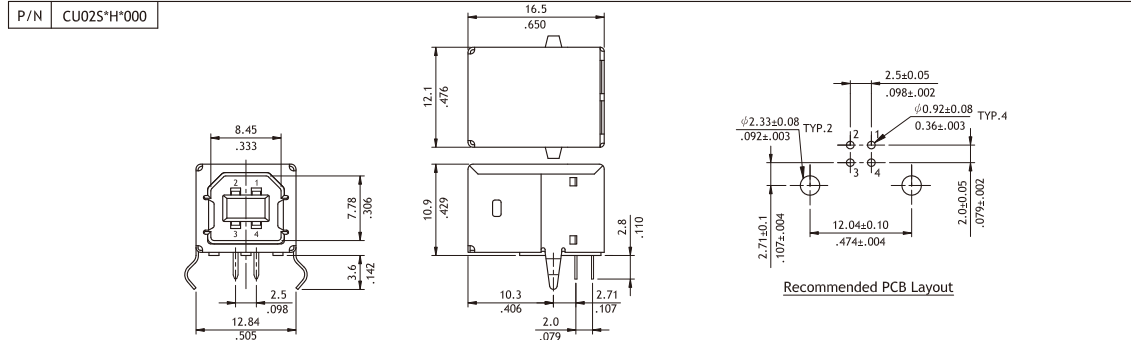
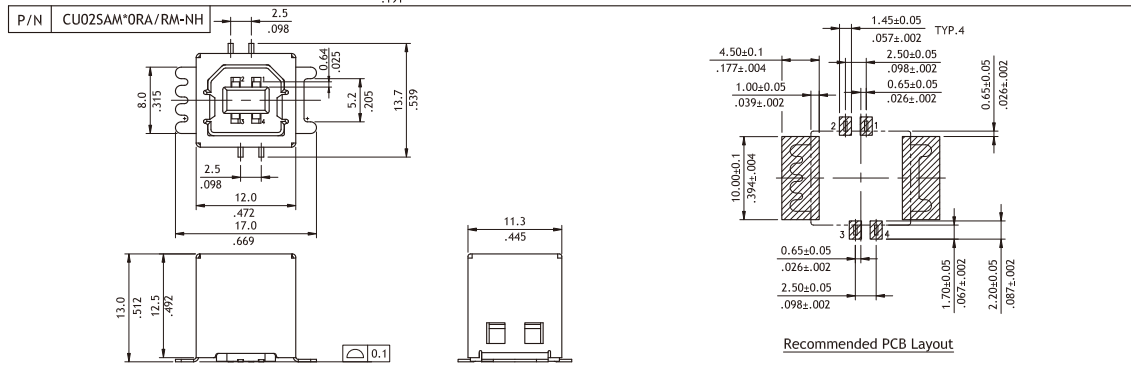
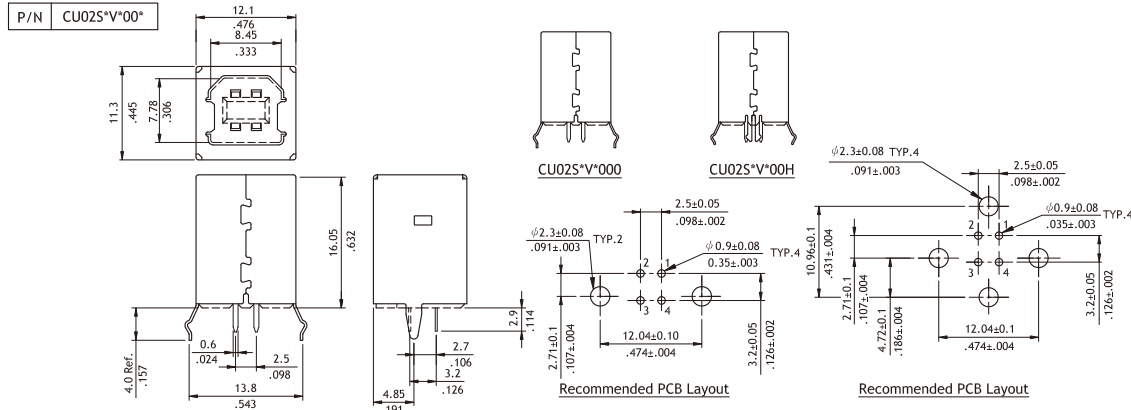
- ⊙ 4-position shielded receptacle connector
- ⊙ High durability and long cycle life
- ⊙ Designed to meet the USB 2.0 specifications
- ⊙ USB 2.0 Approved Test ID: 60000738



RoHS Compliant



NEW



Ordering Code	①	②	③	④	⑤	⑥	⑦
	CU02	S	A	H	0	0	00
① Series No.					⑤ Insulator Color: 1 = Black 0 = White		
② S = Socket							
③ Plating Option: A = Selective Gold flash plated over Nickel					⑥ 0 = Standard A = Standard (only for Straight DIP Type)		
④ Tail Type: V = Straight DIP Type H = Right Angle DIP Type M = SMT Type					⑦ Other Options: 00 = Standard		

CU04 Series Mini USB2.0 5 Circuits Receptacle SMT/DIP Connectors

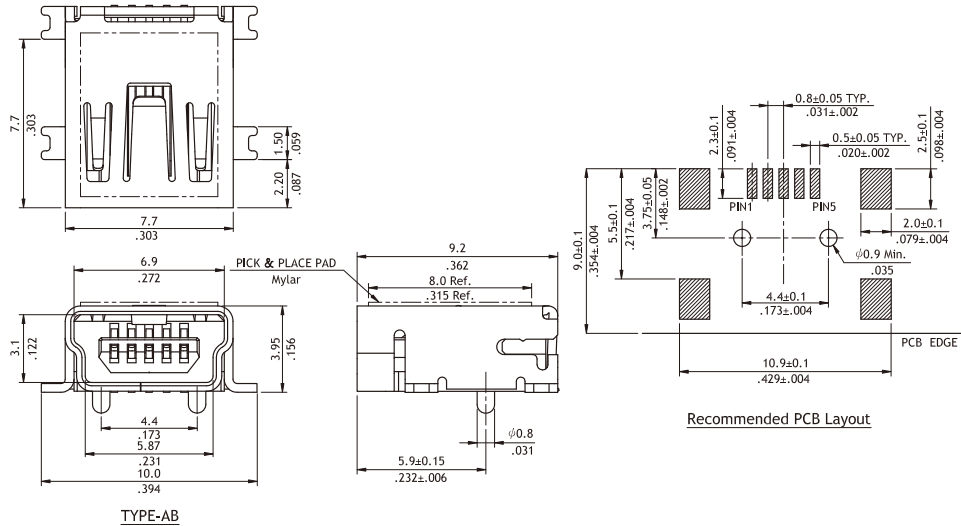
- ⊙ High temperature plastic insulator
- ⊙ With fixed tabs and ground pegs
- ⊙ Grounding fingers provide locking feature and plug retention



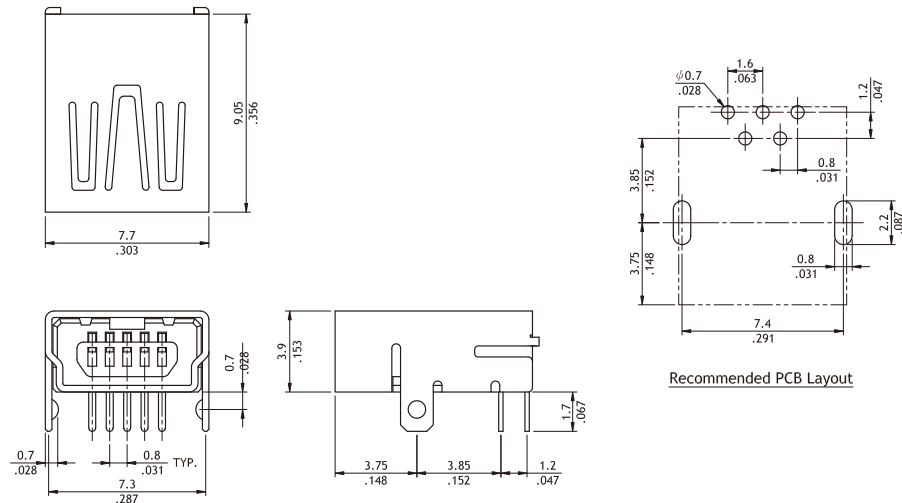
RoHS Compliant



P/N CU04S*M15B0*0



P/N CU04SCH15B0



Ordering Code



- ① Series No.
- ② S = Receptacle
- ③ Plating Option:
A = Selective Gold flash plated over Nickel
C = Selective 30μ"Gold plated over Nickel
- ④ Tail Type: M = SMT Type
H = Right Angle DIP Type
- ⑤ Insulator Color: 1 = Black
- ⑥ No. of Circuits: 5 Pin
- ⑦ Type: B = B Type
- ⑧ Other Option: 0 = Standard
- ⑨ Packing Options:
-R0 = Tape & Reel (with Pick & Place Pad)
-T0 = Tube
- ⑩ Process: -LF = For Lead Free IR Process

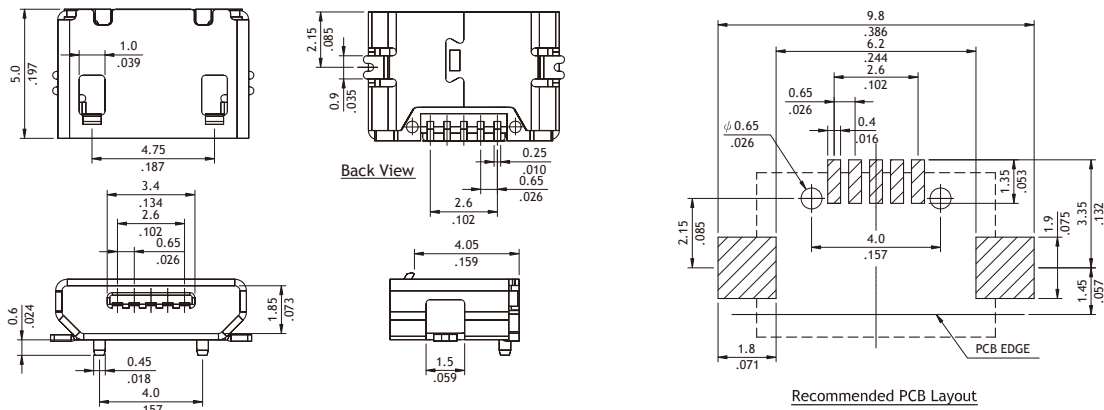
CU09 Series Micro USB2.0 Connectors

- ⊙ High temperature plastic for insulator
- ⊙ With ground pegs
- ⊙ High durability and long cycle life

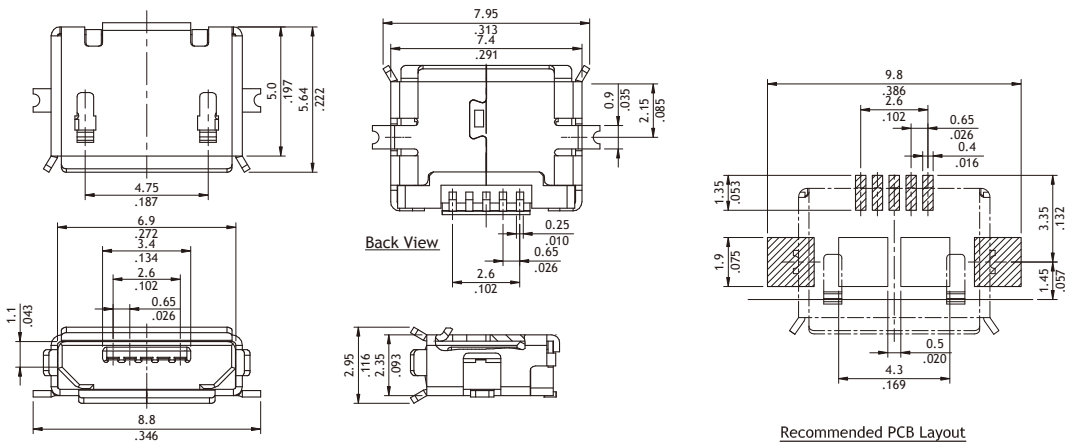


RoHS Compliant

P/N CU09S2M15BC



P/N CU09S2M15C0



Ordering Code

①	②	③	④	⑤	⑥	⑦	⑧
CU09	S	2	M	1	5	C	0

- ① Series No.
- ② S = Socket
- ③ Plating Option:
2 = Gold flash plated over Nickel
- ④ Tail Type: M =SMT Type
- ⑤ Insulator Color: 1 = Black
- ⑥ No. of Circuits: 5 Pin
- ⑦ Type: B = Micro USB 5 Pin Type-B
C = Micro USB 5 Pin Type-AB
- ⑧ Other Options: 0 = Standard
C =W/O Flange Type

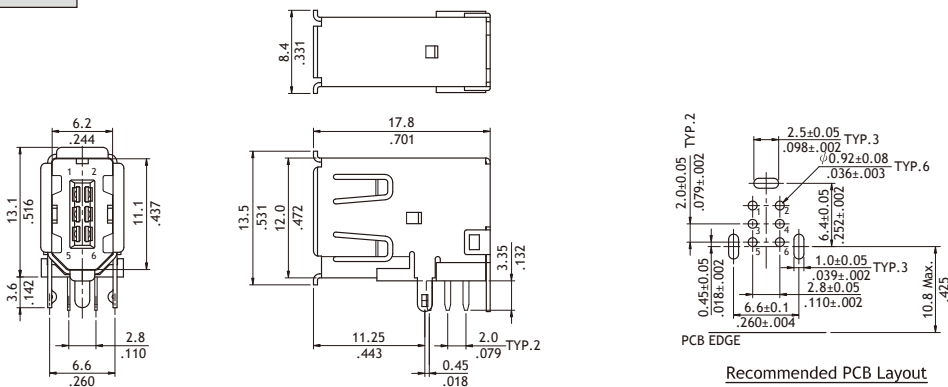
CU05 Series IEEE 1394 Shielded I/O Receptacle Connectors

- ⊙ Available right angle and up-right angle version
- ⊙ With ground pegs
- ⊙ Provide the interface for speeds up to 400Mbps
- ⊙ Full metal shielding for ESD protection
- ⊙ High temperature plastic housing for SMT processing
- ⊙ Gold plated leaf contact withstand up to 1500 cycles
- ⊙ Polarized box shell design and lock grounding finger sensure plug retention

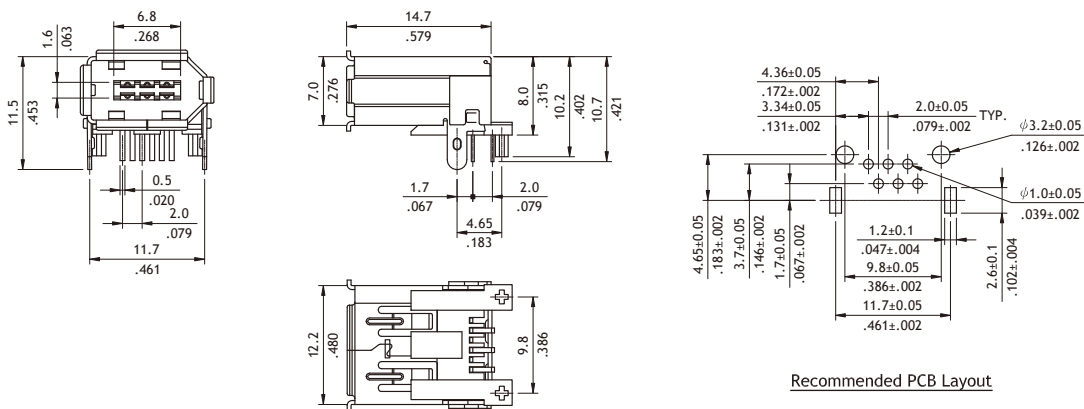


RoHS Compliant

P/N CU05SCH1U00



P/N CU05S*H*F00



Ordering Code

① CU05 ② S ③ C ④ H ⑤ 1 ⑥ F ⑦ 0A

- ① Series No.
- ② S = Socket
- ③ Plating Option:
C = Selective 30μ"Gold plated over Nickel
*Optional plating available but MOQ requested
- ④ Tail Type: H = Side Entry
- ⑤ Insulator Color: 1 = Black
- ⑥ Type: F = Flat
U = Upright
- ⑦ Other Options: 0A = Standard (Flat)
00 = Standard (Upright)

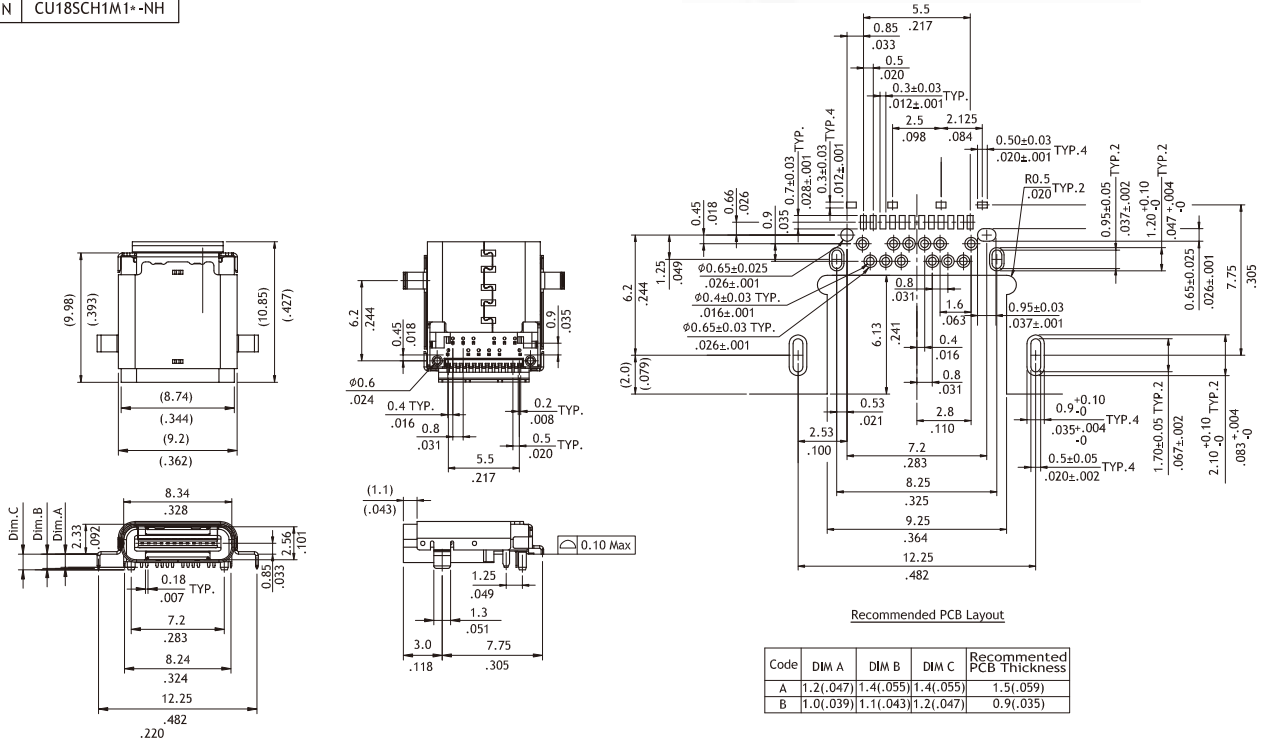
CU18 Series USB 3.1 Type C Mid Mount Type Receptacle Connectors

- ⊙ USB 3.1 Type C Receptacle connector
- ⊙ Mid Mount Type
- ⊙ Transfer speed: Gen 1: 5G, Gen 2: 10G

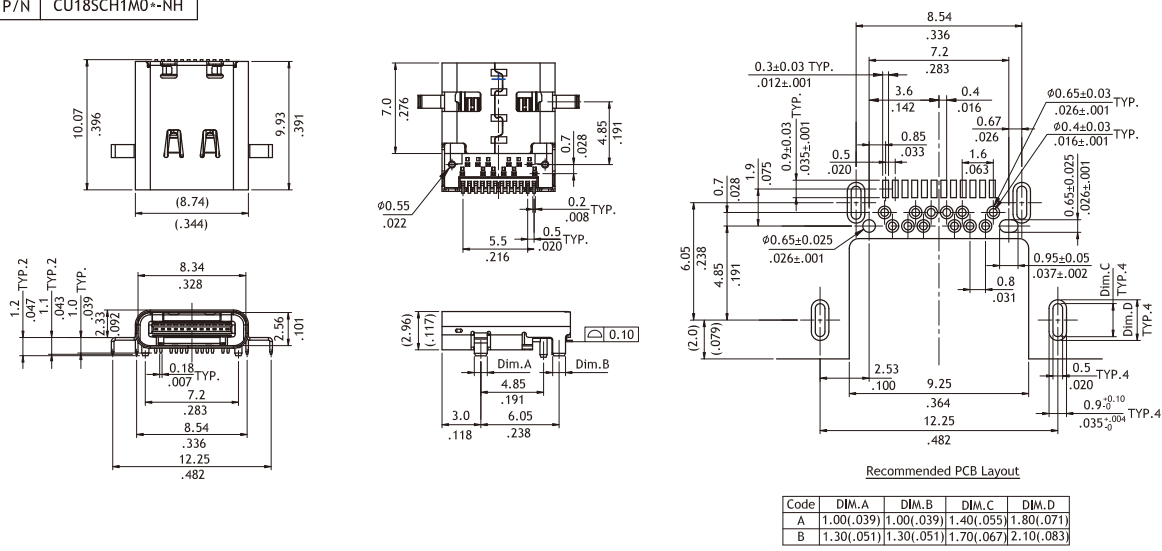


RoHS Compliant

P/N CU18SCH1M1*-NH



P/N CU18SCH1M0*-NH



Ordering Code

① CU ② 18 ③ S ④ C ⑤ H ⑥ 1 ⑦ M ⑧ 1 ⑨ A - NH

- ① Series No.
- ② S = Socket
- ③ Plating Option:
C = Selective 30µ" Gold plated over Nickel
- ④ Contact Tail Type: H = Side Entry
- ⑤ Insulator Color: 1 = Black
- ⑥ Mounting Style: M = Mid Mount Type
- ⑦ Speed Type: 1 = Gen2
0 = Gen1
- ⑧ Shell Type: see the table
- ⑨ Process: -NH = For Lead Free IR Process and Halogen-Free

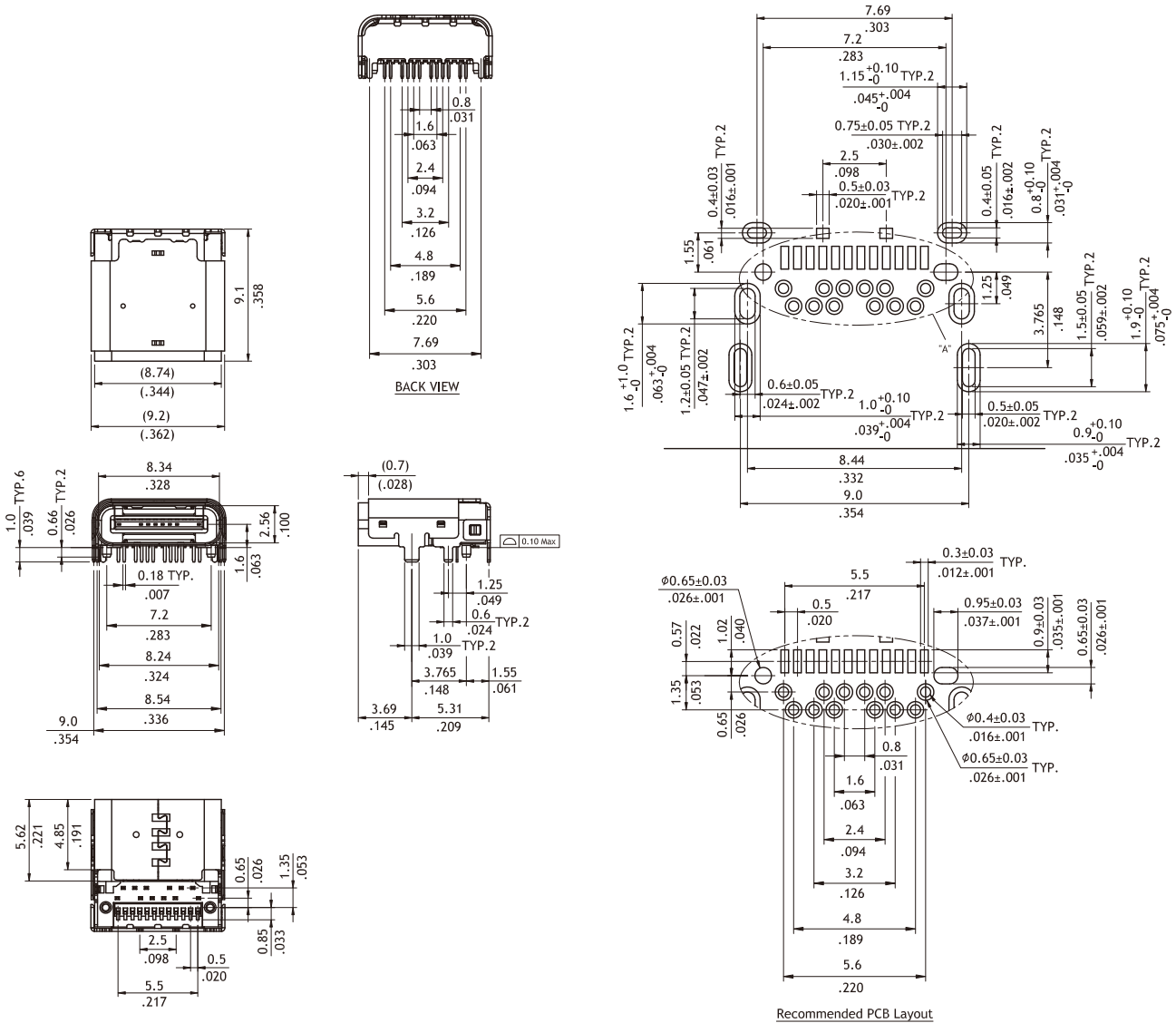
CU18 Series USB 3.1 Type C Top Mount Type Receptacle Connectors

- ⊙ USB 3.1 Type C Receptacle connector
- ⊙ Top Mount Type
- ⊙ Transfer speed: Gen 2: 10G

NEW



RoHS Compliant



Ordering Code

① ② ③ ④ ⑤ ⑥ ⑦ ⑧ ⑨
CU18SCH1010-NH

- ① Series No.
- ② S = Socket
- ③ Plating Option:
C = Selective 30μ" Gold plated over Nickel
- ④ Contact Tail Type: H = Side Entry
- ⑤ Insulator Color: 1 = Black
- ⑥ Mounting Style: 0 = Top Mount Type
- ⑦ Speed Type: 1 = Gen2
- ⑧ Option: 0 = Standard
- ⑨ Process: -NH = For Lead Free IR Process and Halogen-Free

CU18 Series USB 2.0/3.1 Type C Plug Connectors

CU

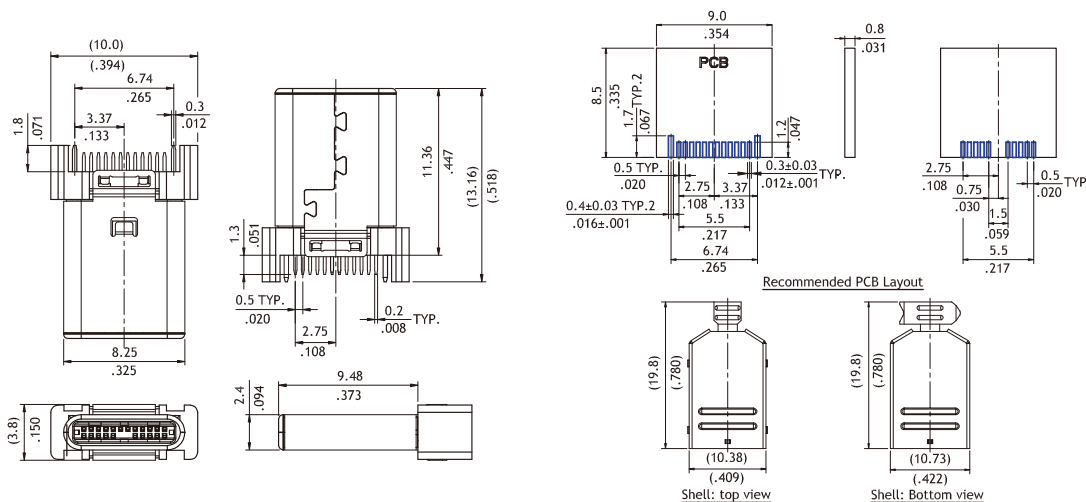
- ⊙ USB 2.0/3.1 Type C Plug connector
- ⊙ Top Mount Type
- ⊙ Transfer speed: Gen 1: 5G, Gen 2: 10G



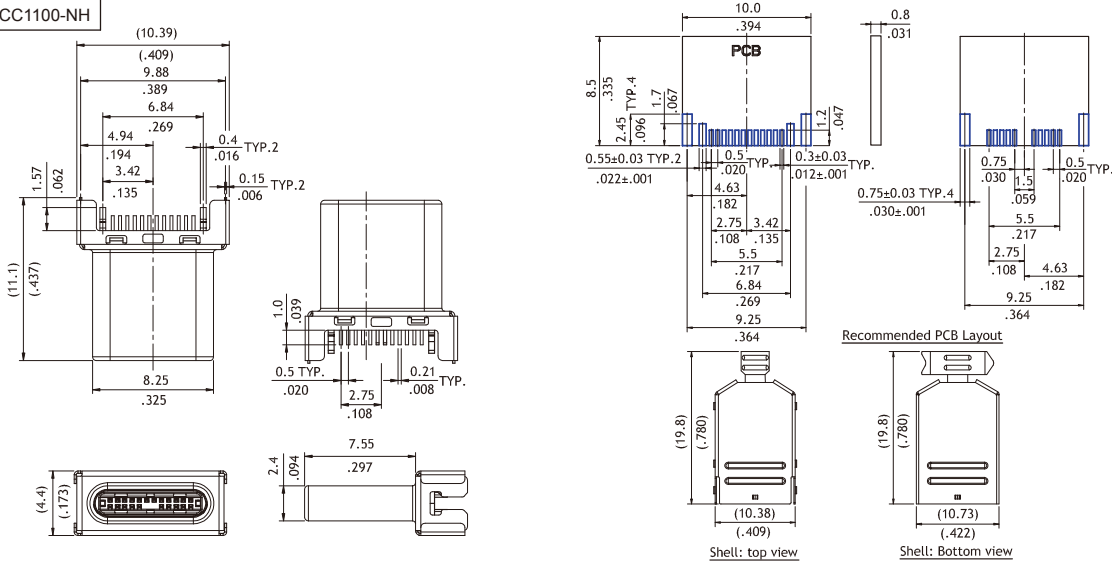
NEW

RoHS Compliant

P/N CU18PCC1000-NH



P/N CU18PCC1100-NH



Ordering Code

① ② ③ ④ ⑤ ⑥ ⑦ ⑧
CU18 P C C 1 0 00 - NH

- ① Series No.
- ② P = Plug
- ③ Plating Option:
C = Selective 30μ" Gold plated over Nickel
- ④ Tail Type: C = PCB Clip
- ⑤ Insulator Color: 1 = Black
- ⑥ Speed Type: 0 = USB 2.0 Type C Plug Straddle Forming Shell Type
1 = USB 3.1 Type C Plug Drawn Shell Type
- ⑦ Options: 00 = Standard
- ⑧ Process: -NH = For Lead Free IR Process and Halogen-Free

I/O CONNECTOR