

SYSTEM CVS Technical Specifications

Testing Methods of Electronic Connectors Follow Below Military Standards:
Industry standards : EIA-364 electrical connector test procedures

0.50mm(.020") Center spacing LVDS Connector**Electrical:**

Current rating:0.3 Amp max.
Dielectric Withstanding: 150 VAC for one minute
Contact Resistance: <80mΩ
Insulation Resistance: >100MΩ
Operating Temperature:-55°C ~ +85°C

Physical:

Insulator:Color Black , High temperature plastic
Flammability Rating: UL 94V-0
Contacts: Copper Alloy
Contacts plating: Gold Flash over Nickel
Shell : Stainless Steel or Copper Alloy
Shell plating : Matte Tin or Non Plated over Nickel

0.50mm(.020") Center spacing LVDS Connector - CVS1 Series**Electrical:**

Current rating:0.8 Amp max.
Dielectric Withstanding: 500 VAC for one minute
Contact Resistance: <40mΩ
Insulation Resistance: >100MΩ
Operating Temperature:-40°C ~ +80°C

Physical:

Insulator:Color Black , High temperature plastic
Flammability Rating: UL 94V-0
Contacts:Copper Alloy
Contacts plating: Gold Flash over Nickel
Shell : Stainless Steel
Shell plating : Matte Tin over Nickel

1.00mm(.039") Center spacing LVDS Connector - CVSC Series**Electrical:**

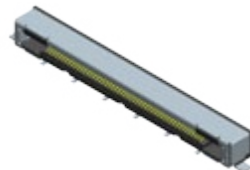
Current rating:1 Amp max.
Dielectric Withstanding: 500 VAC for one minute
Contact Resistance: <40mΩ
Insulation Resistance: >100MΩ
Operating Temperature:-40°C ~ +80°C

Physical:

Insulator:Color Nature , High temperature plastic
Flammability Rating: UL 94V-0
Contacts: Copper Alloy
Contacts plating: Gold Flash over Nickel
Shell : Stainless Steel
Shell plating : Tin over Nickel
Ground: Copper Alloy

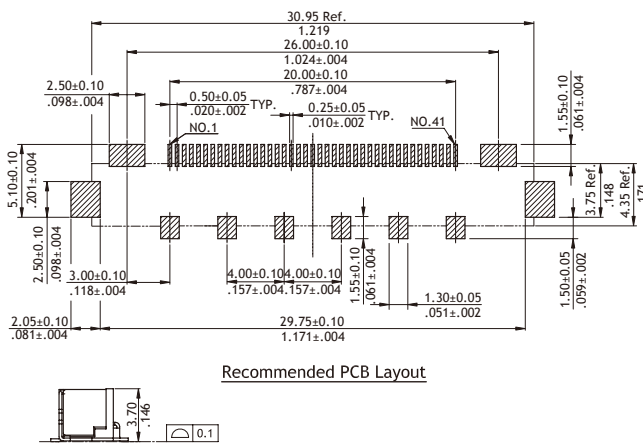
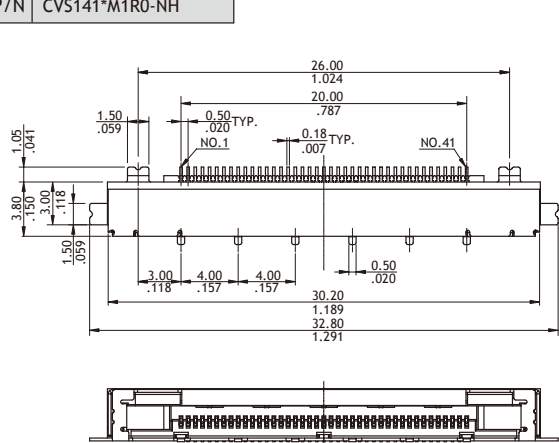
CVS1 Series 0.50mm(.020") H=3.70 LVDS Socket for TV

- ⊙ Connector Height: 3.7mm
- ⊙ Better PCB holding strength of a board side connector with hold-downs to be soldered
- ⊙ VESA standard connector for LCD interface of LCD television
- ⊙ Insulation: High temperature plastic UL 94V-0, Color Black
- ⊙ Contact: Copper Alloy
- ⊙ Shell: Stainless Steel



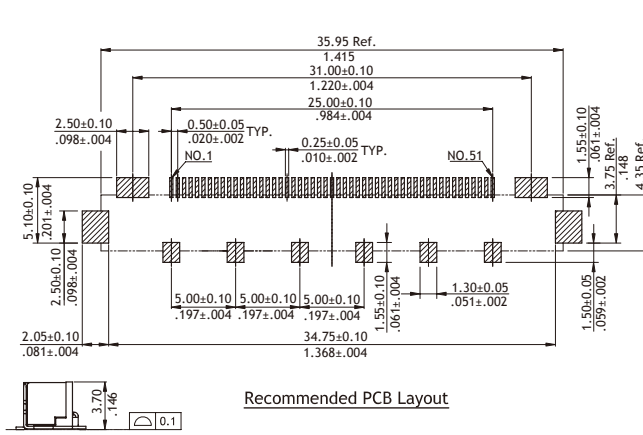
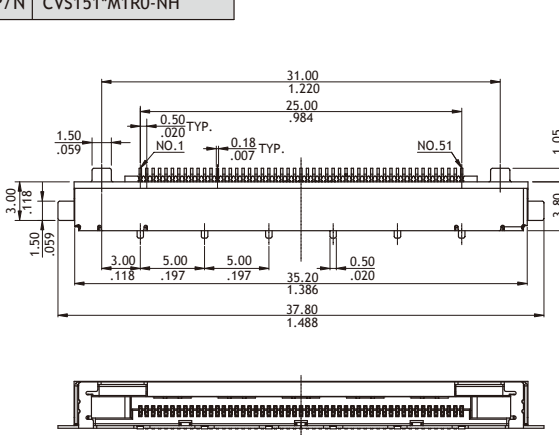
RoHS Compliant

P/N CVS141*M1R0-NH



Recommended PCB Layout

P/N CVS151*M1R0-NH

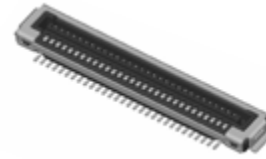


Recommended PCB Layout

Ordering Code	①	②	③	④	⑤	⑥	⑦	⑧		
	CVS	1	51	D	M	1	R	0	-	NH
① Series No.				④ M = SMT Type Header				⑦ Other Options:		
② No. of Circuits: 41,51				⑤ Color: 1 = Black				0 = Standard		
③ Plating Code:				⑥ Packing:				*Special options consult manufacturer		
D = Selective Gold plated on contact area				R = Tape & Reel						
*Optional plating available but MOQ requested				T = Tube				⑧ Process: -NH = For Lead Free IR process and Halogen-Free		

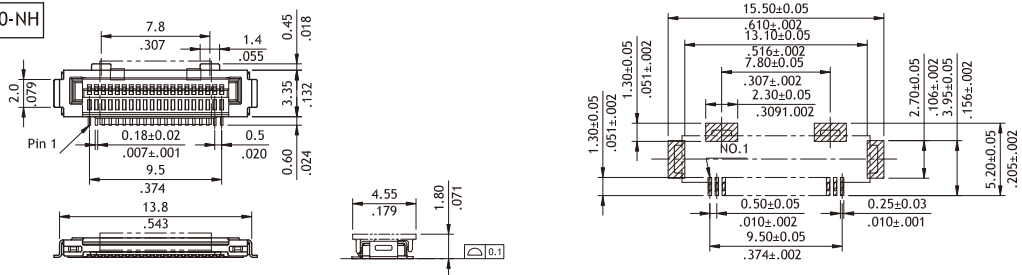
CVS3 Series 0.50mm(.020") M/H=2.00 LVDS Socket for NB

- ⊙ Mating Height 2.0mm
- ⊙ Mate with CVS2 Plug
- ⊙ Product application: Laptop PC, NB
- ⊙ Insulation: High temperature plastic UL 94V-0, Color Black
- ⊙ Cap: High temperature plastic, Color Black
- ⊙ Shell: Copper Alloy
- ⊙ Contact: Copper Alloy

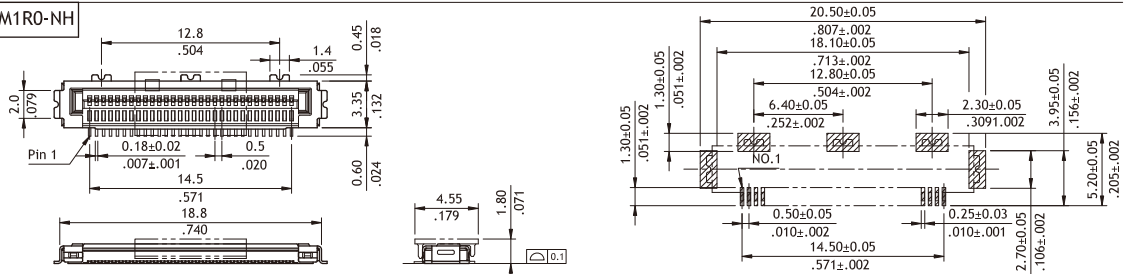


RoHS Compliant

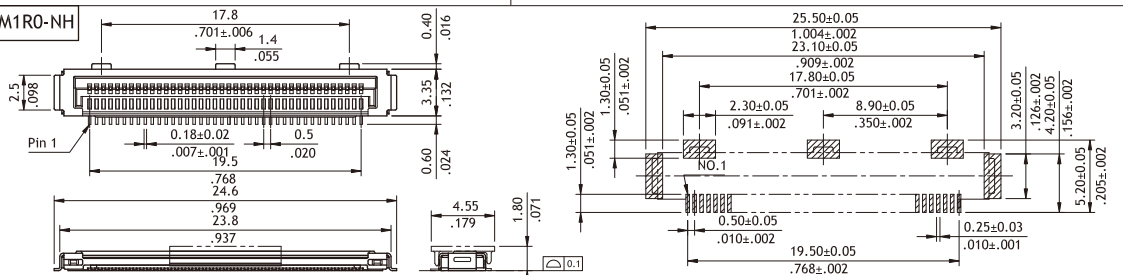
P/N CVS320*M1R0-NH



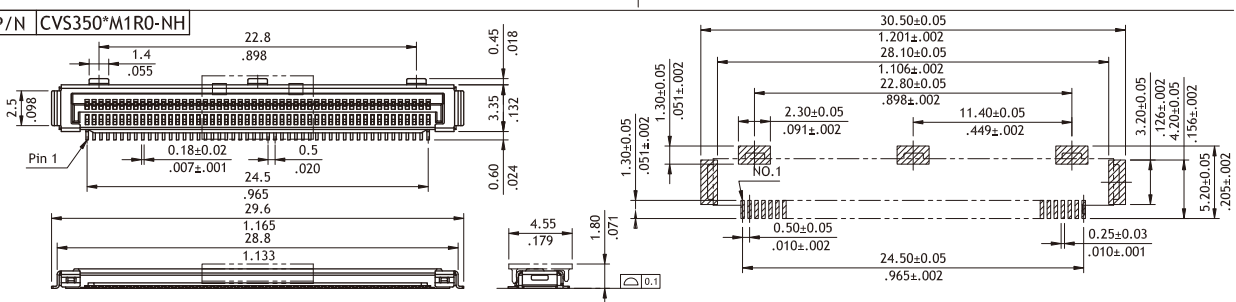
P/N CVS330*M1R0-NH



P/N CVS340*M1R0-NH



P/N CVS350*M1R0-NH



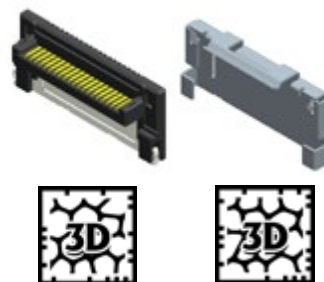
Ordering Code

① ② ③ ④ ⑤ ⑥ ⑦ ⑧
CVS 3 5 0 2 M 1 R 0 - NH

- ① Series No.
- ② No. of Circuits: 20, 30, 40, 50
- ③ Plating Code:
2 = Gold flash over Nickel
*Optional plating available but MOQ requested
- ④ M = SMT Type Header
- ⑤ Color: 1 = Black
- ⑥ Packing: R = Tape & Reel
- ⑦ Other Options: 0 = Standard
*Special options consult manufacturer
- ⑧ Process: -NH = For Lead Free IR process and Halogen-Free

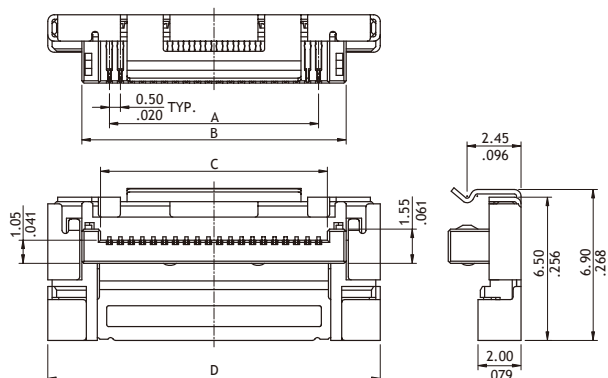
CVS4 Series 0.50mm(.020") M/H=4.00 LVDS Plug for NB

- ⊙ Mating Height: 4.0mm
- ⊙ Mate with CVS5 Socket
- ⊙ Product application: NB, LCD
- ⊙ Insulation: High temperature plastic UL 94V-0, Color Black
- ⊙ Top shell: Stainless Steel
- ⊙ Bottom shell: Stainless Steel
- ⊙ Contact: Copper Alloy
- ⊙ Coaxial Cable: AWG #34/#36/#40(O.D. must be less than 0.38mm)
- ⊙ Wire Cable: AWG #32/#34/#36/#40(O.D. must be less than 0.5mm)



RoHS Compliant

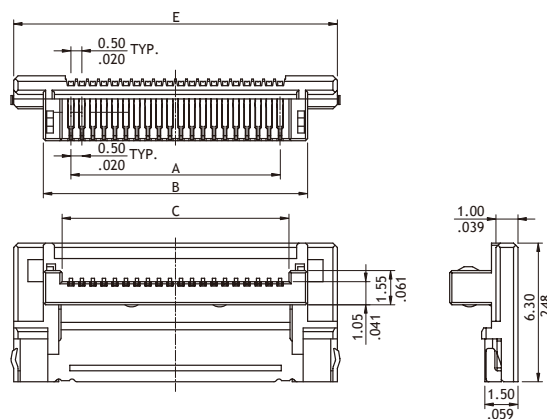
After Assembly	
P/N	CVS4***P1T0-NH



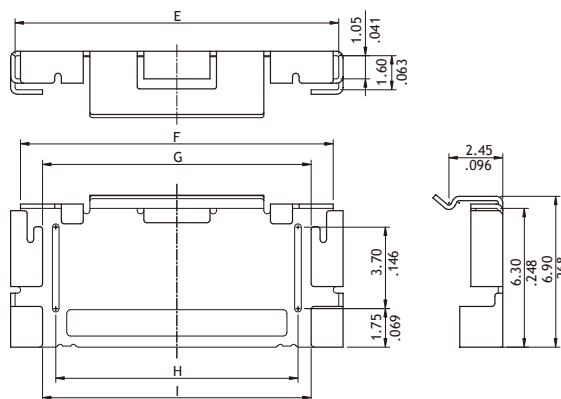
Circuits	Dimension				
	A	B	C	D	E
20	9.50(.374)	12.00(.472)	10.30(.405)	15.1(.594)	14.70(.578)
30	14.50(.571)	17.00(.670)	15.30(.602)	20.1(.791)	19.70(.776)
40	19.50(.758)	22.00(.866)	20.30(.799)	25.1(.988)	24.70(.972)

Circuits	Dimension			
	F	G	H	I
20	14.2(.559)	12.3(.484)	11.0(.433)	12.4(.488)
30	19.2(.756)	17.3(.681)	16.0(.630)	17.4(.685)
40	24.2(.953)	22.2(.874)	21.0(.827)	22.2(.874)

Semi-finished product	
P/N	CVS4***P000-NH



Shell	
P/N	CVS4**0S000



Ordering Code

① CVS 4 ② 4 0 ③ 2 ④ P 0 0 0 - ⑤ NH

- ① Series No.
- ② No. of Circuits: 20,30,40
- ③ Plating Code:
2 = Gold flash over Nickel
- ④ Contact type: P000 = Plug
- ⑤ Process: -NH = For Lead Free soldering process and Halogen-Free

① CVS 4 ② 4 0 ③ 0 ④ S 0 0 0

- ① Series No.
- ② No. of Circuits: 20,30,40
- ③ Plating Code: 0 = Non Plated
- ④ Other Options: S000 = Shell

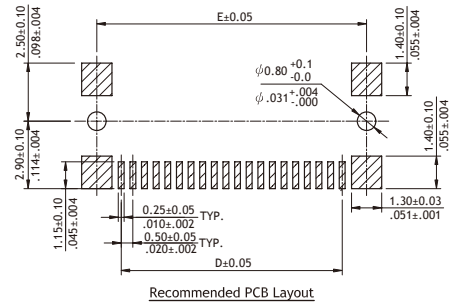
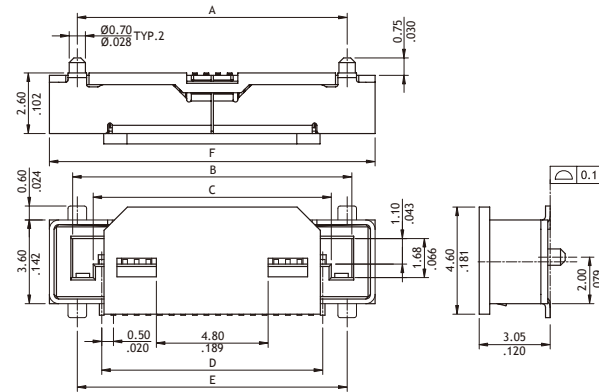
CVS5 Series 0.50mm(.020") M/H=4.00 LVDS Socket for NB

- ⊙ Mating Height: 4.0mm
- ⊙ Mate with CVS4 Plug
- ⊙ Product application: NB, LCD
- ⊙ Insulation: High temperature plastic+Glass Fiber Filled Polyester,
- ⊙ UL 94V-0, Color Black
- ⊙ Cap: High temperature plastic, Color Black
- ⊙ Shell: Stainless Steel
- ⊙ Contact: Copper Alloy



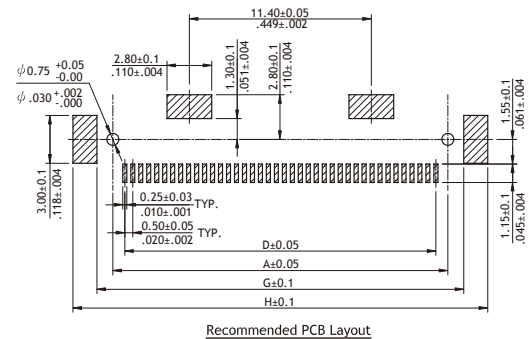
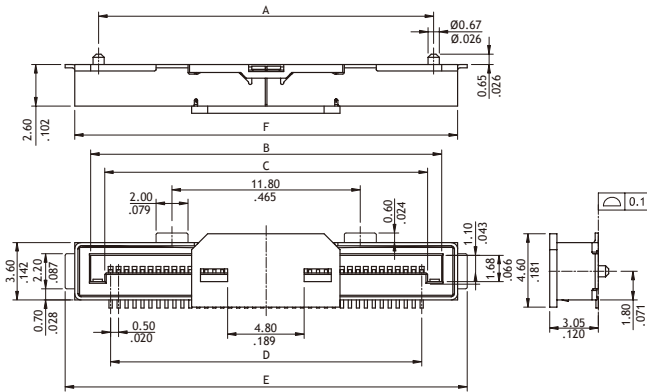
RoHS Compliant

P/N CVS520*M1R0-NH



Circuits	Dimension					
	A	B	C	D	E	F
20	11.60(.457)	12.00(.472)	10.24(.403)	9.50(.374)	11.60(.457)	14.0(.551)

P/N CVS5**M1RA-NH



Circuits	Dimension							
	A	B	C	D	E	F	G	H
30	16.00(.630)	17.00(.670)	15.24(.600)	14.50(.571)	20.2(.795)	19.0(.748)	18.0(.709)	21.0(.827)
40	21.00(.827)	22.00(.866)	20.24(.797)	19.50(.758)	25.2(.992)	24.0(.945)	23.0(.906)	26.0(1.024)

Ordering Code

① CVS ② 5 ③ 40 ④ 2 ⑤ M ⑥ 1 ⑦ RA - NH

- ① Series No.
- ② No. of Circuits: 20, 30, 40
- ③ Plating Code:
2 = Gold flash over Nickel
*Optional plating available but MOQ requested

- ④ M = SMT Type
- ⑤ Color: 1 = Black
- ⑥ Packing: R0 = Tape & Reel 2000PCS (20pin)
RA = Tape & Reel 1250PCS (30,40pin)
*Special options consult manufacturer
- ⑦ Process: -NH = For Lead Free IR process and Halogen-Free

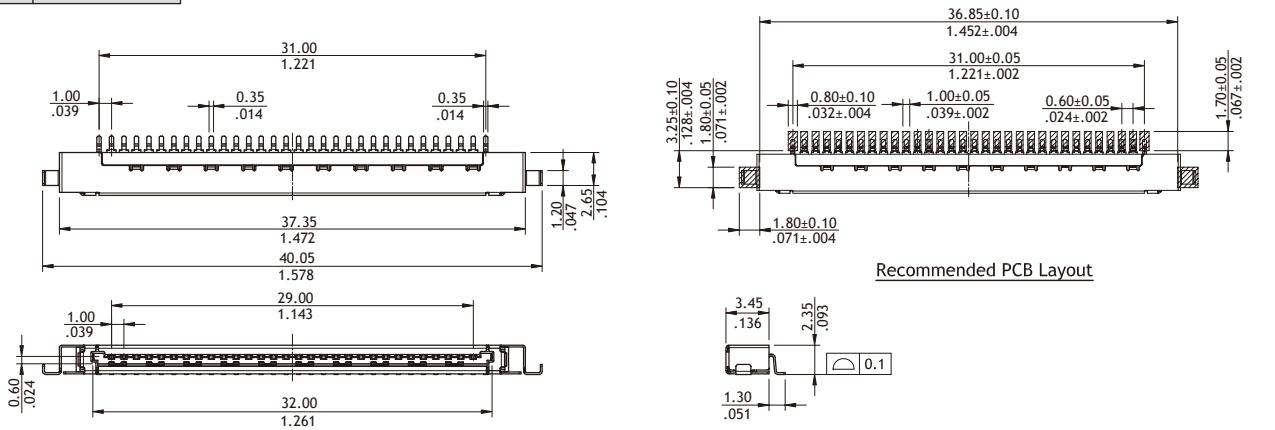
CVSC Series 1.00mm(.039")H=2.35 LVDS Socket for TV / Monitor

- ⊙ Connector Height 2.35mm
- ⊙ Board-to-cable for high density packaging
- ⊙ Polarization for preventing erroneous mating
- ⊙ Excellent in EMI shielding (With metal shell)
- ⊙ Insulation: High temperature plastic UL 94V-0, Color Nature
- ⊙ Contact: Phosphor Bronze
- ⊙ Ground: Phosphor Bronze
- ⊙ Shell: Phosphor Bronze

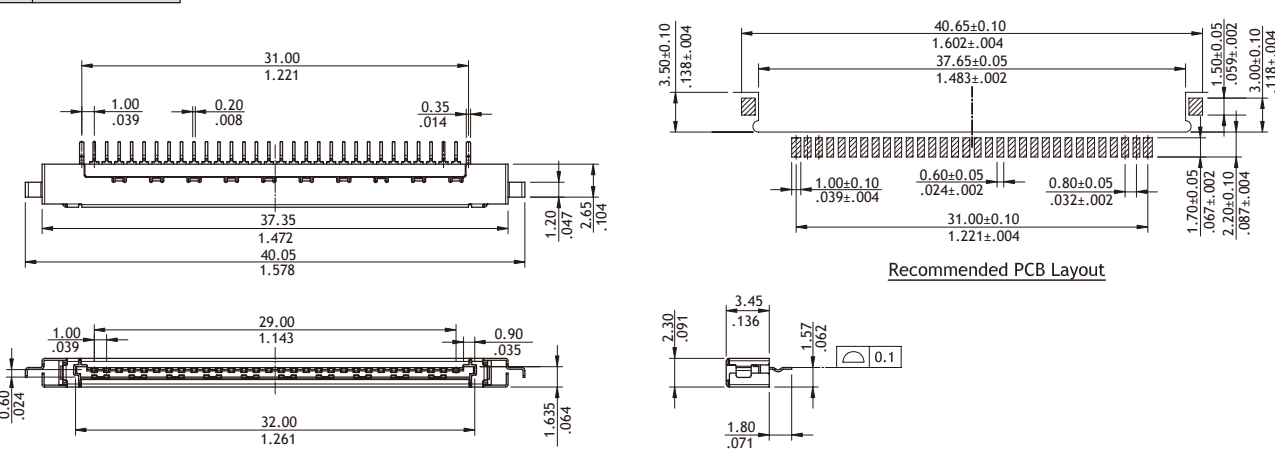


RoHS Compliant

P/N CVSC30DT0R0-NH



P/N CVSC30DB0R0-NH



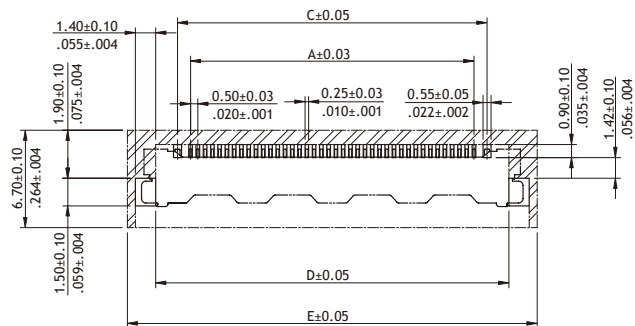
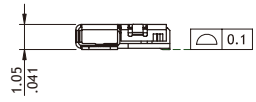
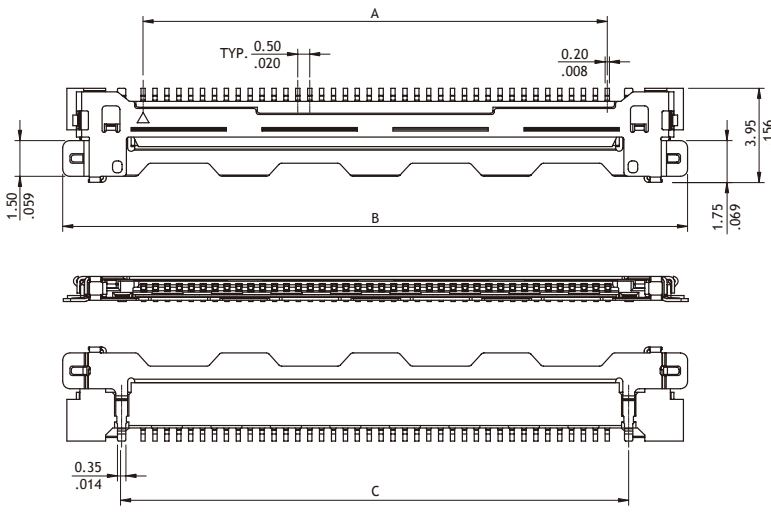
Ordering Code	①	②	③	④	⑤	⑥	⑦	⑧
	CVSC	30	D	T	0	R	0	- NH
① Series No.				④ Contact Style: T = Top Mount B = Bottom Mount				⑦ Other Options: 0 = Standard *Special options consult manufacturer
② No. of Circuits: 30				⑤ Color: 0 = Nature				⑧ Process: -NH = For Lead Free IR process and Halogen-Free
③ Plating Code: D = Selective Gold plated on contact area and Tin solder over Nickel				⑥ Packing: R = Tape & Reel				

CVS7 Series 0.50mm(.020")MH=1.05 LVDS Socket Connectors

- ⊙ Mating Height: 1.05mm
- ⊙ Mate with CVS8***P1AA-NH Plug
- ⊙ Product application: LCD display control
- ⊙ Insulation: High temperature plastic UL 94V-0, Color Black
- ⊙ Shell: Copper Alloy
- ⊙ Contact: Copper Alloy



RoHS Compliant



Circuits	Dimension				
	A	B	C	D	E
30	14.50(5.71)	21.25 (.837)	16.30 (.642)	19.30 (.760)	23.20 (.913)
40	19.50 (.768)	26.25 (1.033)	21.30 (.839)	24.30 (.957)	28.20 (1.110)

Recommended PCB Layout

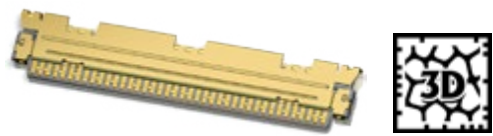
Ordering Code

① CVS ② 7 ③ 40 ④ 2 ⑤ M ⑥ 1 ⑦ RA - NH

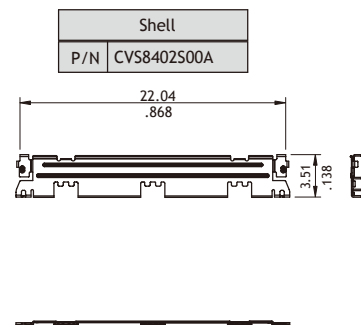
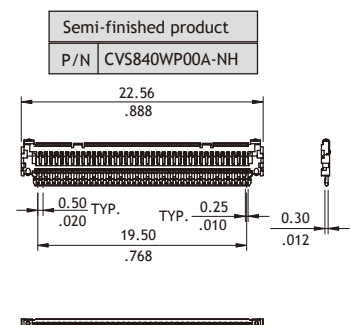
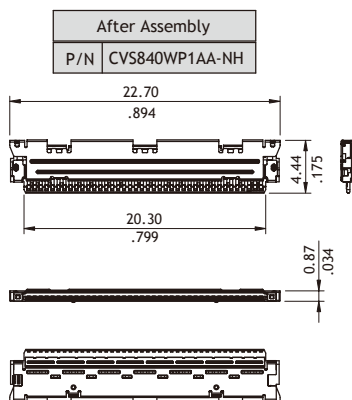
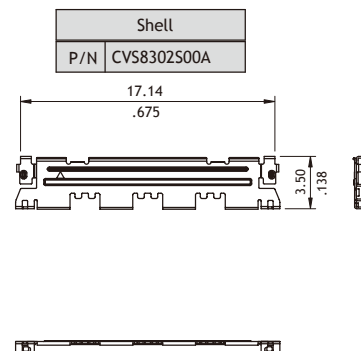
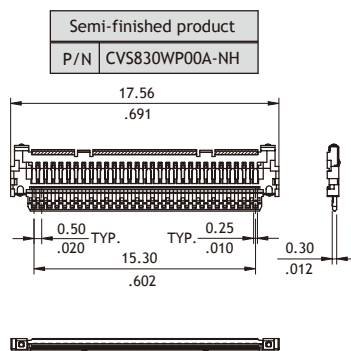
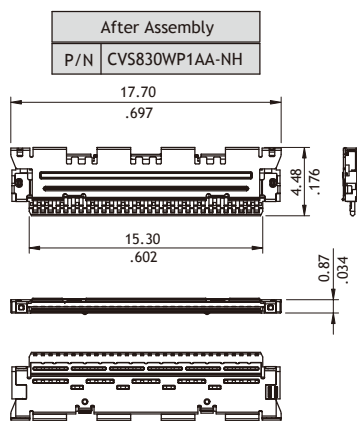
- ① Series No.
- ② No. of Circuits: 30, 40
- ③ Plating Code:
2 = Gold flash over Nickel
- ④ M = SMT Type
- ⑤ Color: 1 = Black
- ⑥ Packing:
RA = Tape & Reel (Standard)
- ⑦ Process: -NH = For Lead Free IR process and Halogen-Free

CVS8 Series 0.50mm(.020")MH=1.05 LVDS Plug Connectors

- ⊙ Mating Height: 1.05mm
- ⊙ Mate with CVS7**2M1RA-NH Socket
- ⊙ Product application: LCD display control
- ⊙ Insulation: High temperature plastic UL 94V-0, Color Black
- ⊙ Top Shell: Copper Alloy
- ⊙ Bottom Shell: Copper Alloy
- ⊙ Contact: Copper Alloy
- ⊙ SGC: AWG #36 ~ #44 (AWG #36: Power only)
- ⊙ Discrete: AWG #32 ~ #36



RoHS Compliant



Ordering Code

① CVS 8 ② 40 ③ W ④ P00A - ⑤ NH

- ① Series No.
- ② No. of Circuits: 30,40
- ③ Plating Code:
W = Selective Gold plated on contact area
- ④ Contact type: P00A = Plug
- ⑤ Process: -NH = For Lead Free soldering process and Halogen-Free

① CVS 8 ② 40 ③ 2 ④ S00A

- ① Series No.
- ② No. of Circuits: 30,40
- ③ Plating Code:
2 = Gold flash over Nickel
- ④ Other Options: S00A = Shell