

System CS - Technical Specifications

Testing Methods Of Electronic Connectors Follow Below Military Standards:

Dielectric Withstanding Voltage	- Per MIL-STD-1344A method 3001.1
Contact Resistance	- Per MIL-STD-1344A method 3002.1
Insulation Resistance	- Per MIL-STD-1344A method 3003.1
Solderability	- Per MIL-STD-202F method 208D

Shunts & Multiple Shunts

Electrical:

2.0mm Pitch current rating: 1 Amp
 2.54mm Pitch current rating: 3 Amps
 Dielectric Withstanding: 1000 VAC for one minute
 Contact Resistance: < 20 mΩ
 Insulation Resistance: > 1000 MΩ
 Operating Temperature: -40°C ~ +105°C

Physical:

Insulator: Black, Glass filled Polyester
 Flammability Rating: UL 94V-0
 Contacts: Phosphor Bronze

Stamped Contact DIP IC Sockets

Electrical:

Current rating: 1 Amp
 Dielectric Withstanding: 1000 VAC for one minute
 Contact Resistance: < 20 mΩ
 Insulation Resistance: > 1000 MΩ
 Operating Temperature: -40°C ~ +105°C

Physical:

Insulator: Black, Glass filled Polyester
 Flammability Rating: UL 94V-0
 Contacts: Phosphor Bronze

PLCC Sockets

Electrical:

Current rating: 1 Amp
 Dielectric Withstanding: 500 VAC for one minute
 Contact Resistance: < 30 mΩ
 Insulation Resistance: > 1000 MΩ
 Capacitance: 1 pF max. at 1000 HZ
 Operating Temperature: -40°C ~ +105°C

Physical:

Through hole type Insulator: Black or Nature, Glass filled Polyester or High temperature Plastic
 Surface mount type Insulator: High temperature plastic
 Flammability Rating: UL 94V-0
 Contacts: Phosphor Bronze

Jumpers

Electrical:

Current rating: 1 Amp
 Dielectric Withstanding: 1000 VAC for one minute
 Contact Resistance: < 10 mΩ
 Insulation Resistance: > 3000 MΩ
 Operating Temperature: -40°C ~ +105°C

Physical:

Insulator: Black, Glass filled Polyester
 Flammability Rating: UL 94V-0
 Contacts: Phosphor Bronze

DDR DIMM Sockets

Electrical:

Current/Voltage rating: 0.5A/25VAC for Single Type
 0.3A/25VAC for Dual Type
 Dielectric Withstanding: 125 VAC for one minute
 Contact Resistance: < 60 mΩ for Single Type
 < 50 mΩ for Dual Type

Physical:

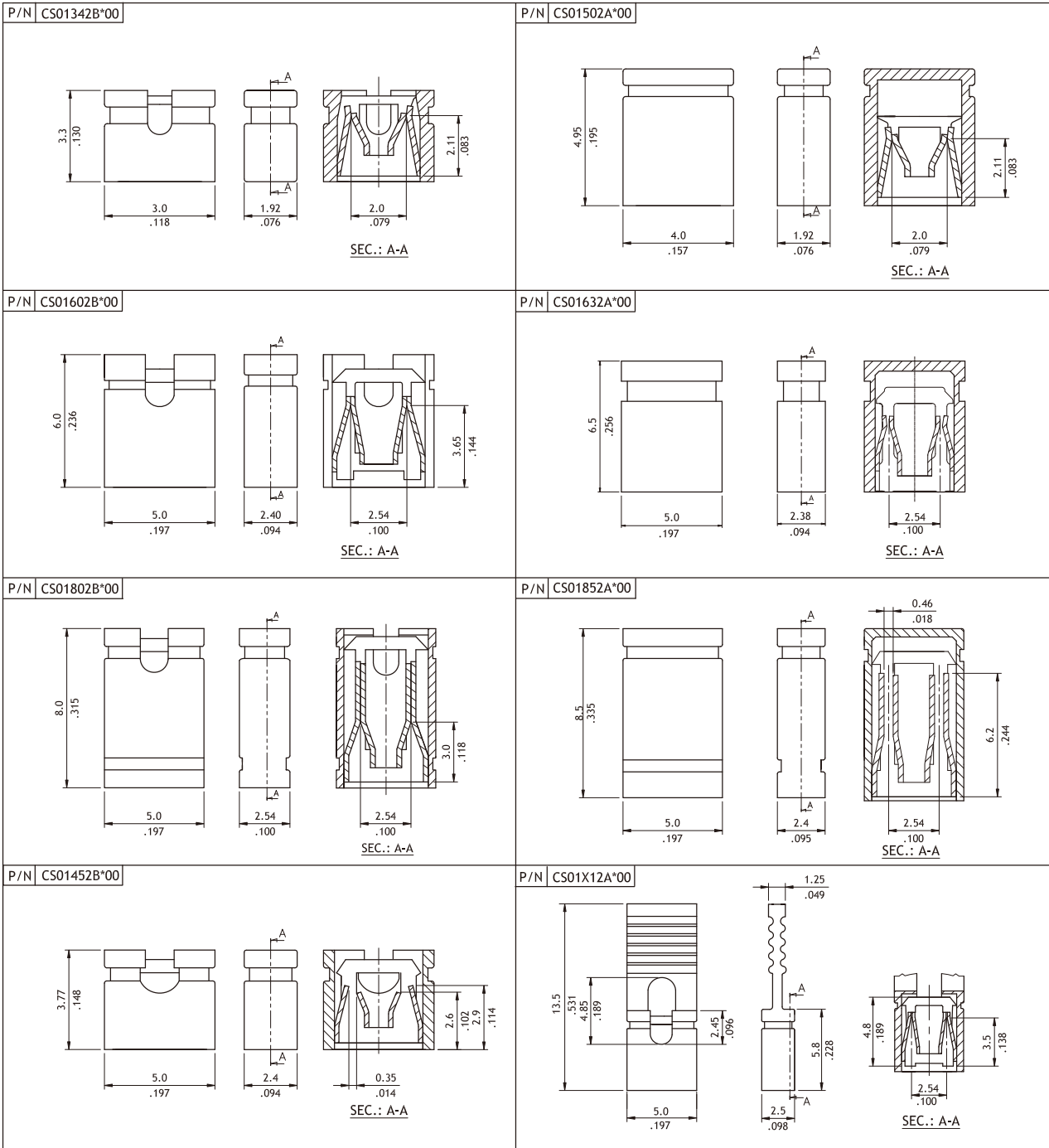
Insulator: LCP
 Flammability Rating: UL 94V-0
 Contacts: Phosphor Bronze
 Plating options: Au under plating Ni
 Latch: UL 94V-0 or Stainless, Sn under plating Ni

CS01 Series 2.54mm(.100") Dual Row Multiple Shunts

- ⊙ Available variety of body height
- ⊙ Handle type available
- ⊙ Low cost and reliable
- ⊙ Color code option " * " 1 = Black, 3 = Red, 7 = Blue
- ⊙ Gold flash plated as standard



RoHS Compliant

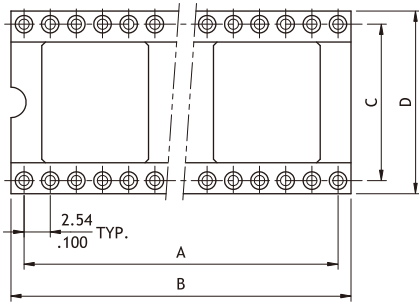


CS07 Series 2.54mm (.100") DIP Socket - Machined contacts

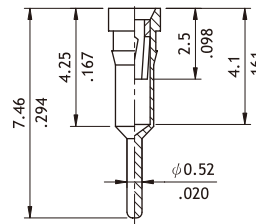
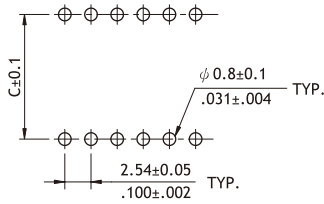
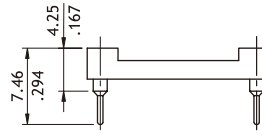
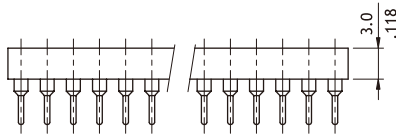
- ⊙ High reliability screwed machined terminals with multiple finger contacts
- ⊙ Sealed and prevent flux wicking
- ⊙ Insulator: Glass filled polyester
- ⊙ Contact: Gold plated Beryllium copper
- ⊙ Sleeve: Tin plated copper alloy



RoHS Compliant



Circuits	CviLux P/N	Dimension			
		A	B	C	D
6	CS0706D1000	5.08(.200)	7.62(.300)	7.62(.300)	10.04(.395)
8	CS0708D1000	7.62(.300)	10.16(.400)	7.62(.300)	10.04(.395)
14	CS0714D1000	15.24(.600)	17.78(.700)	7.62(.300)	10.04(.395)
16	CS0716D1000	17.78(.700)	20.32(.800)	7.62(.300)	10.04(.395)
18	CS0718D1000	20.32(.800)	22.86(.900)	7.62(.300)	10.04(.395)
20	CS0720D1000	22.86(.900)	25.40(1.000)	7.62(.300)	10.04(.395)
24	CS0724D1000	27.94(1.100)	30.48(1.200)	7.62(.300)	10.04(.395)
	CS0724D1A00			15.24(.600)	17.72(.698)
28	CS0728D1000	33.02(1.300)	35.56(1.400)	7.62(.300)	10.04(.395)
	CS0728D1A00			15.24(.600)	17.72(.698)
32	CS0732D1A00	38.10(1.500)	40.64(1.600)	15.24(.600)	17.72(.698)
40	CS0740D1A00	48.26(1.900)	50.80(2.000)	15.24(.600)	17.72(.698)
42	CS0742D1A00	50.80(2.000)	53.34(2.100)	15.24(.600)	17.72(.698)
48	CS0748D1A00	58.42(2.300)	60.96(2.400)	15.24(.600)	17.72(.698)



Recommended P.C. Board Layout

Pin detail

Ordering Code

① CS 07 ② 48 ③ D ④ 1 ⑤ 000

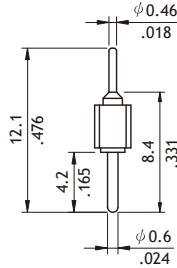
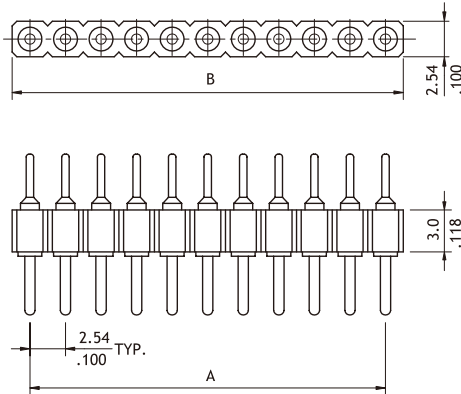
- ① Series No.
- ② No. of Circuits: See above table
- ③ Plating Code:
D = Tin plated sleeve with 10μ in Gold plated contact

- ④ Color: 1 = Black
- ⑤ Other Options:
000 = DIM.D: 10.04mm
A00 = DIM.D: 17.72mm
*Special options consult manufacturer

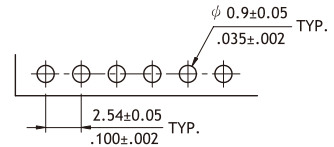
CS09 Series 2.54mm(.100") Single in Line Adapter Strip

- ⊙ Machined contact
- ⊙ Highly reliable board interconnecting

RoHS Compliant



A = 2.54 * No. of Spaces
B = A + 2.44



Recommended P.C. Board Layout

Ordering Code

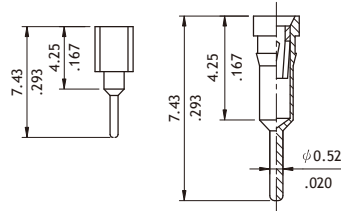
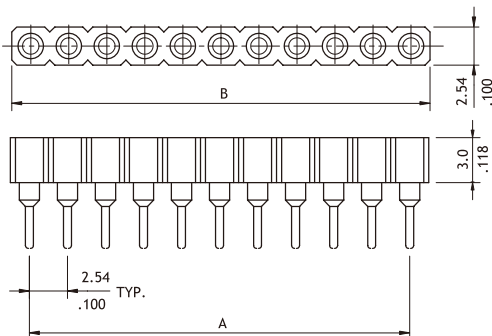
① CS 09 ② 40 ③ 2 ④ 1 ⑤ A00

- ① Series No.
- ② No. of Circuits: 02 to 40
- ③ Plating Code: 2 = Gold flash over Nickel
- ④ Color: 1 = Black
- ⑤ Other Options:
A00 = Standard
*Special options consult manufacturer

CS10 Series 2.54mm(.100") Single in Line SIP Socket

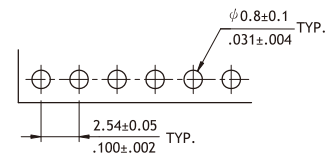
- ⊙ High reliability screwed machined terminals with multiple finger contacts
- ⊙ Sealed and prevent flux wicking
- ⊙ Insulator: PPS UL 94V-0
- ⊙ Contact: Gold plated Beryllium copper

RoHS Compliant



Pin detail

A = 2.54 * No. of Spaces
B = A + 2.44



Recommended P.C. Board Layout

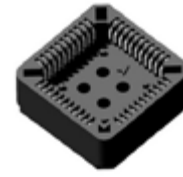
Ordering Code

① CS 10 ② 40 ③ D ④ 1 ⑤ 000

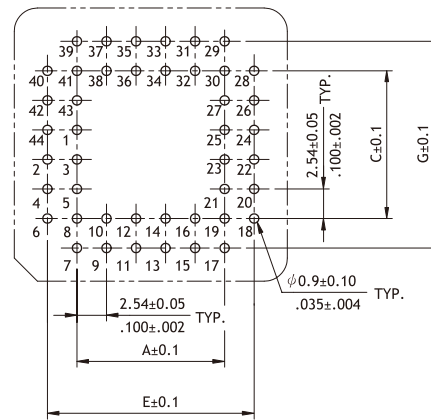
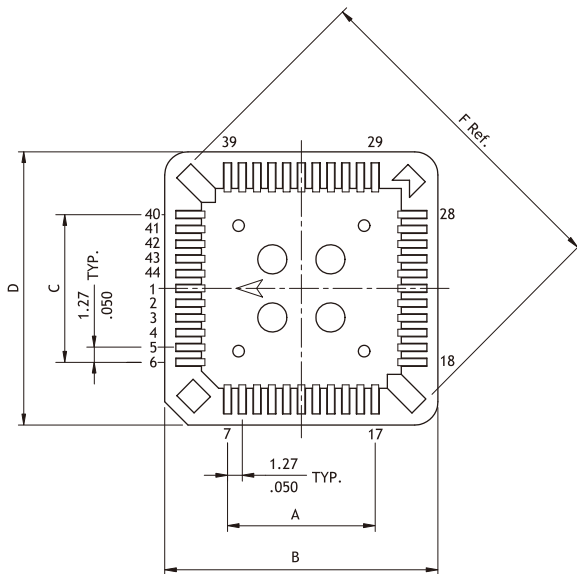
- ① Series No.
- ② No. of Circuits: 02 to 40
- ③ Plating Code: D = Tin plated sleeve with Gold flash plated contact
- ④ Color: 1 = Black
- ⑤ Other Options:
000 = Standard
*Special options consult manufacturer

CS21 Series 1.27mm(.050") DIP PLCC Chip Carrier Socket

- ⊙ With standoff prevent flux wicking
- ⊙ Low cost and reliable
- ⊙ Insulator: Glass filled polyester
- ⊙ Contact: Tin plated Phosphor Bronze

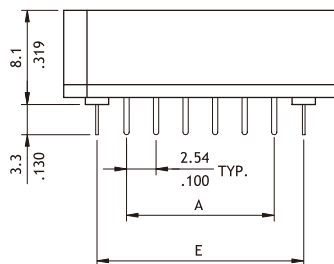


RoHS Compliant



Recommended P.C. Board Layout

Available for 20,28,32,44,52,68,84 Circuits



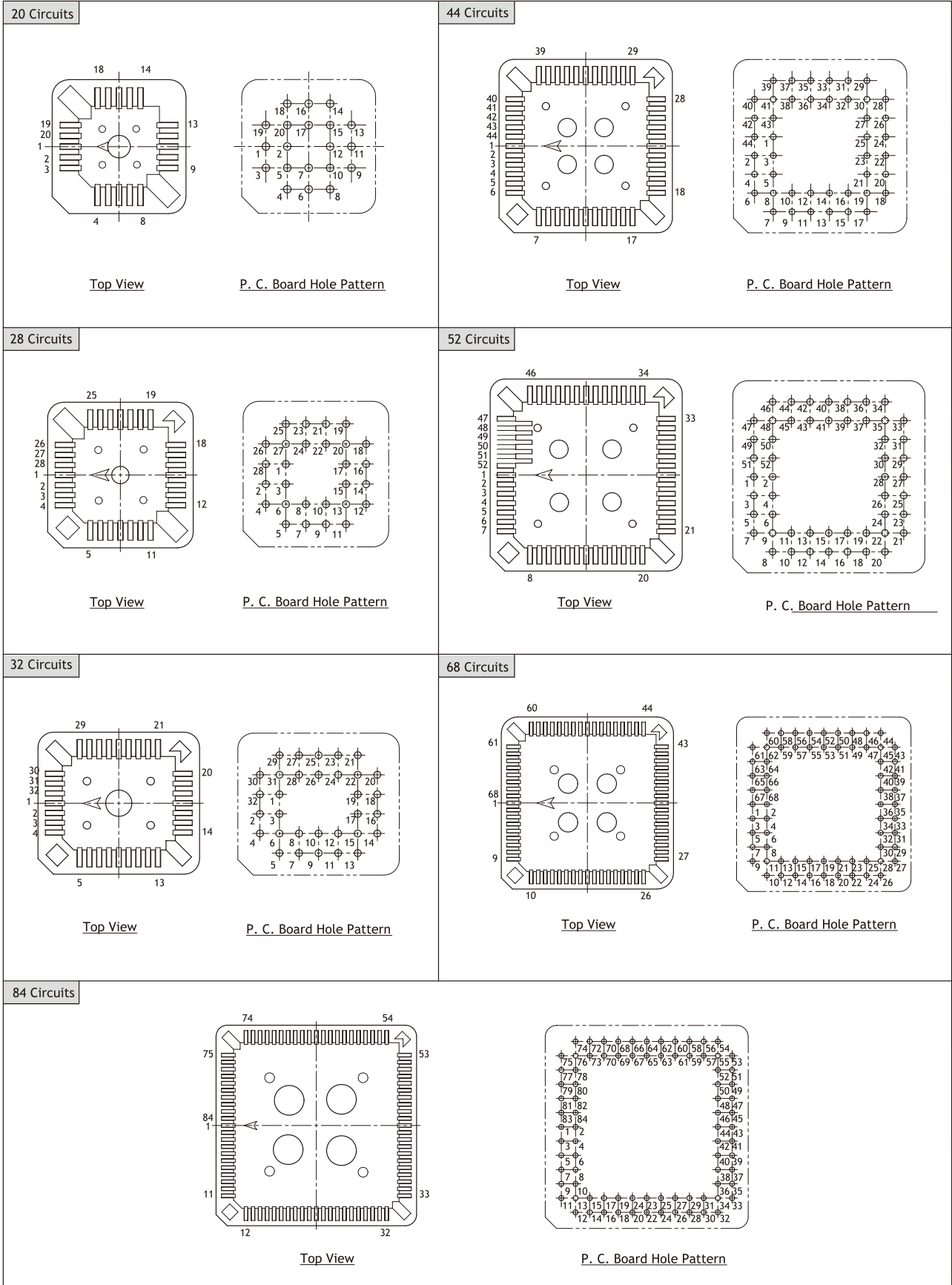
Circuits	Dimension						
	A	B	C	D	E	F	G
20	5.08(.200)	15.5(.610)	5.08(.200)	15.5(.610)	10.16(.400)	16.8(.661)	10.16(.400)
28	7.62(.300)	18.0(.709)	7.62(.300)	18.0(.709)	12.70(.500)	20.7(.815)	12.70(.500)
32	10.16(.400)	20.6(.811)	7.62(.300)	18.0(.709)	15.24(.600)	22.6(.890)	12.70(.500)
44	12.70(.500)	23.5(.926)	12.70(.500)	23.5(.926)	17.78(.700)	28.4(1.118)	17.78(.700)
52	15.24(.600)	25.9(1.020)	15.24(.600)	25.9(1.020)	20.32(.800)	31.7(1.248)	20.32(.800)
68	20.32(.800)	31.66(1.246)	20.32(.800)	31.66(1.246)	25.40(1.000)	39.2(1.543)	25.40(1.000)
84	25.40(1.000)	36.66(1.443)	25.40(1.000)	36.66(1.443)	30.48(1.200)	46.2(1.819)	30.48(1.200)

Ordering Code

① CS 2 1 ② 8 4 ③ 1 ④ 1 ⑤ 0 0 0

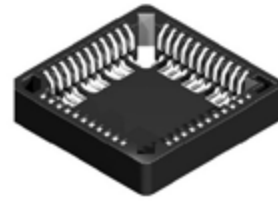
- ① Series No.
- ② No. of Circuits: See above table
- ③ Plating Code: 1 = Tin over Nickel
- ④ Color: 1 = Black (PBT)
0 = Nature (PPS)
- ⑤ Other Options:
000 = PBT (Standard)
A00 = PPS
*Special options consult manufacturer

CS21 Series 1.27mm(.050") DIP PLCC Chip Carrier Socket

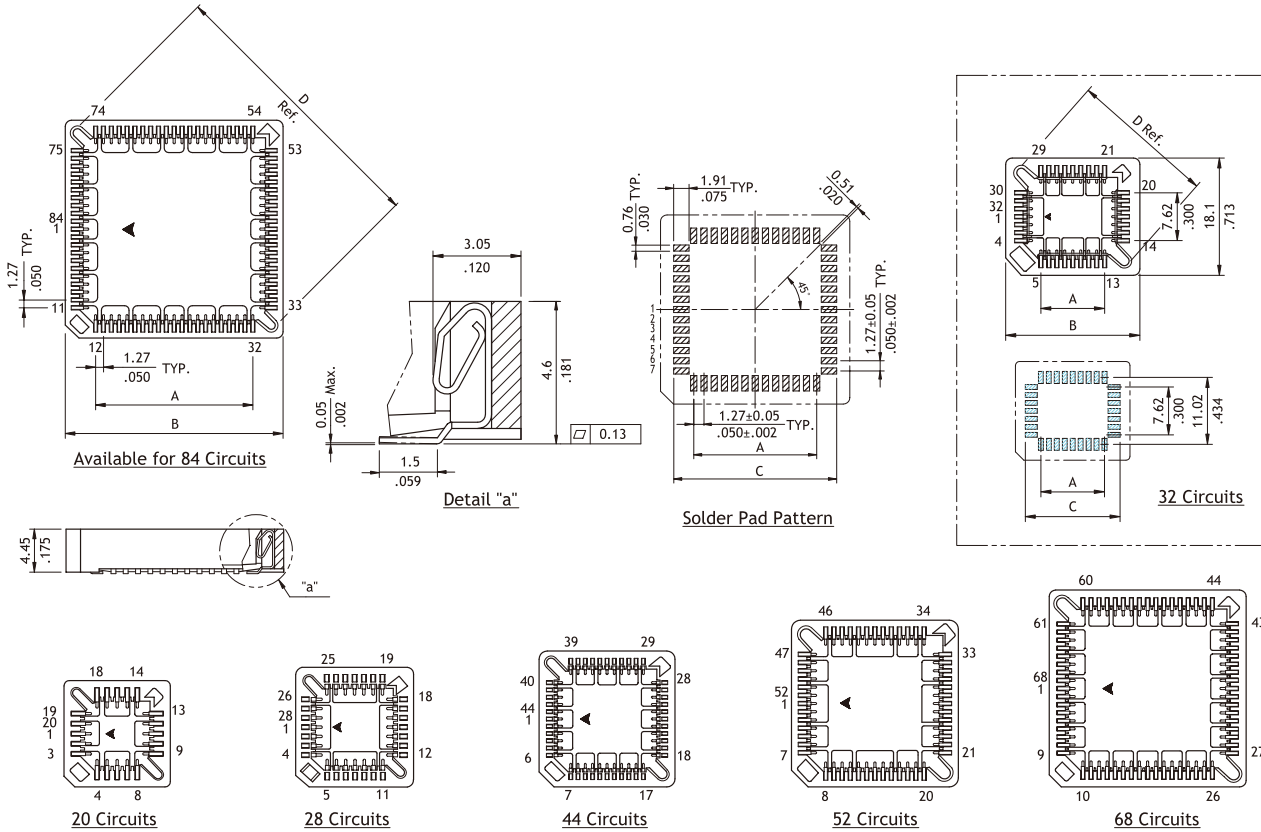


CS22 Series 1.27mm(.050") SMT PLCC Chip Carrier Socket

- ⊙ With standoff prevent flux wicking
- ⊙ Low cost and reliable
- ⊙ Insulator: Glass filled polyester
- ⊙ Contact: Tin plated Phosphor Bronze



RoHS Compliant



Circuits	Dimension			
	A	B	C	D
20	5.08(.200)	15.66(.617)	10.03(.395)	17.28(.680)
28	7.62(.300)	18.20(.717)	12.57(.495)	20.87(.822)
32	10.16(.400)	20.70(.815)	15.11(.595)	22.80(.898)
44	12.70(.500)	23.28(.917)	17.65(.695)	28.10(1.106)
52	15.24(.600)	25.82(1.017)	20.19(.795)	31.65(1.246)
68	20.32(.800)	30.90(1.217)	25.27(.995)	38.85(1.530)
84	25.40(1.000)	35.98(1.417)	30.35(1.195)	46.50(1.831)

Ordering Code

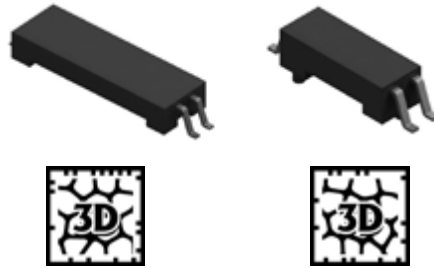
① CS 2 2 ② 8 4 ③ 1 ④ 0 ⑤ 0 0 0

- ① Series No.
- ② No. of Circuits: See above table
- ③ Plating Code: 1 = Tin over Nickel
- ④ Color: 0 = Nature
- ⑤ Other Options:
 000 = Standard
 0R0 = Tape & Reel
 *Special options consult manufacturer

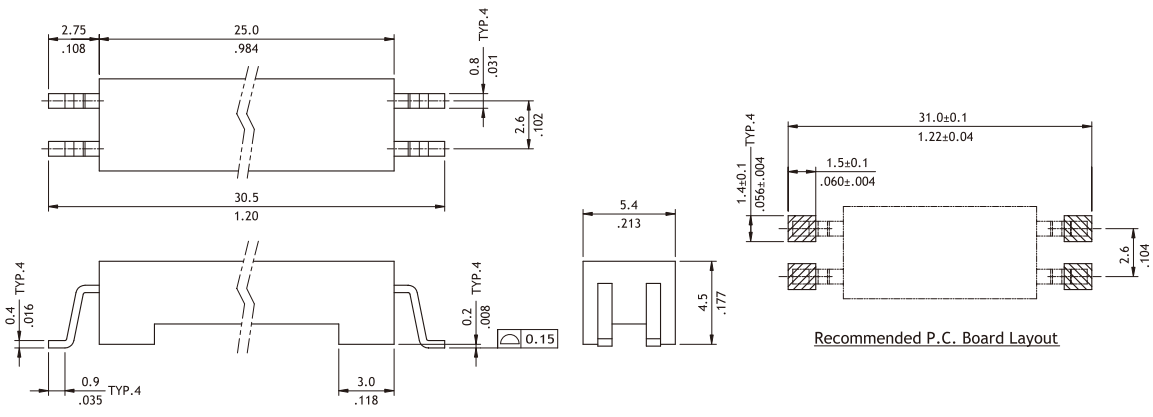
CS30 Series 2.60mm(.102") Jumper

- ⊙ Insulator: Nylon 6T UL 94V-0
- ⊙ Contact: Tin plated Brass

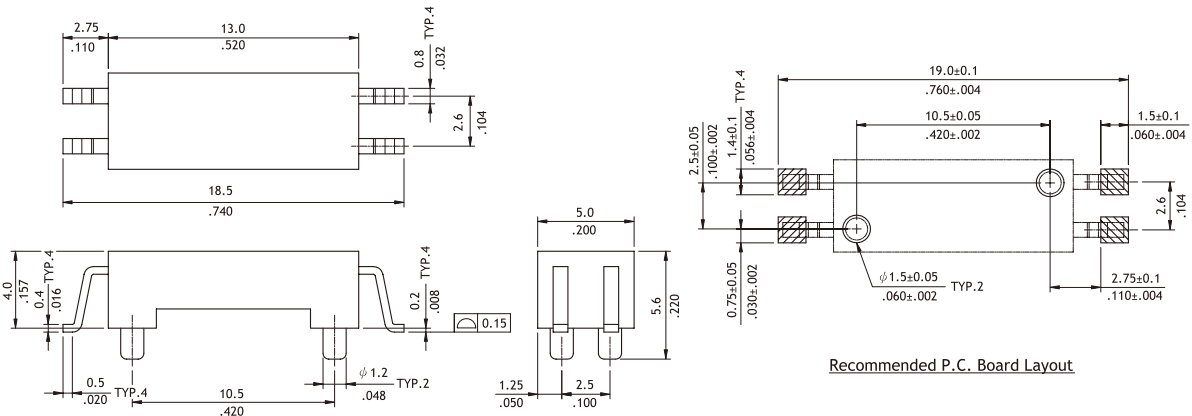
RoHS Compliant



P/N CS304525110



P/N CS304013110



Ordering Code

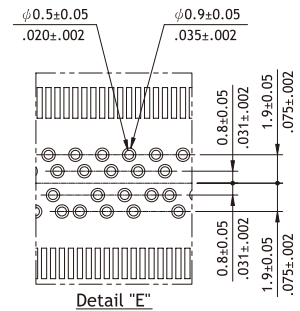
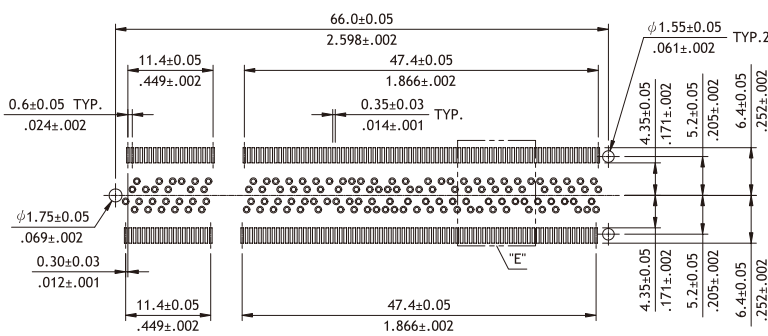
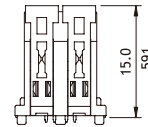
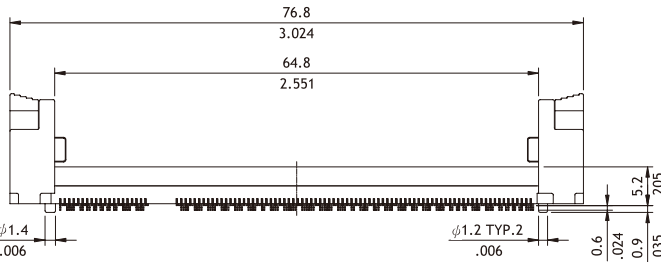
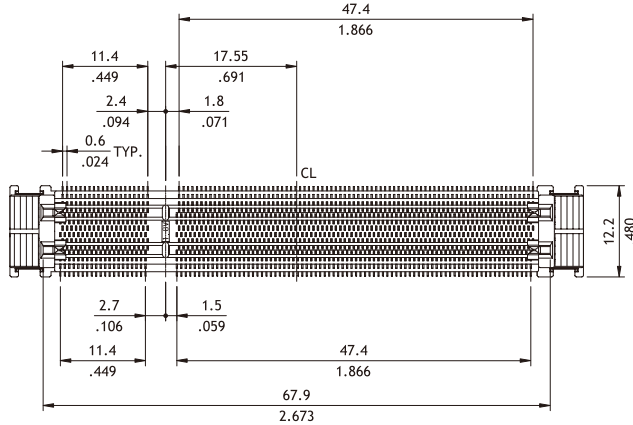
①	②	③	④	⑤	⑥
CS	30	45	25	11	0

① Series No.
 ② Insulator Height: 45 = 4.5mm
 40 = 4.0mm
 ③ Insulator Width: 25 = 25mm (4.5mm Height)
 13 = 13mm (4.0mm Height)
 ④ Plating Code:
 1 = Matte Tin over Nickel
 ⑤ Color: 1 = Black
 ⑥ Other Options
 0=Standard
 *Special options consult manufacturer

CS68 Series Dual DDR2 S.O DIMM Socket

- ⊙ Insulator: LCP UL 94V-0
- ⊙ Contact: Copper Alloy
- ⊙ Power supply: 1.8V

RoHS Compliant



Recommended P.C. Board Layout

Ordering Code

① CS 6 8 ② 3 3 1 ③ 2 ④ 0 ⑤ M 0

- ① Series No.
- ② No. of Circuits: 331
- ③ Plating Code:
2 = Gold flash over Nickel
- ④ Color: 0 = Nature
- ⑤ Other Options:
M0 = Standard (With Mylar)

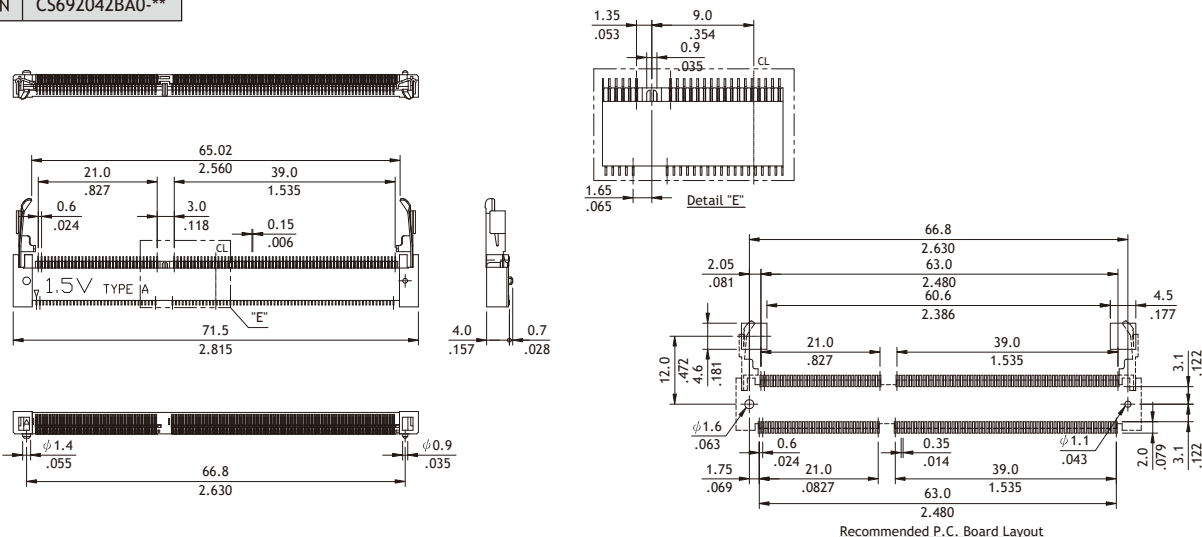
CS69 Series DDR3 S.O DIMM Socket H=4.0

- ⊙ Insulator: LCP UL 94V-0
- ⊙ Contact: Copper Alloy
- ⊙ Power supply: 1.5V

RoHS Compliant

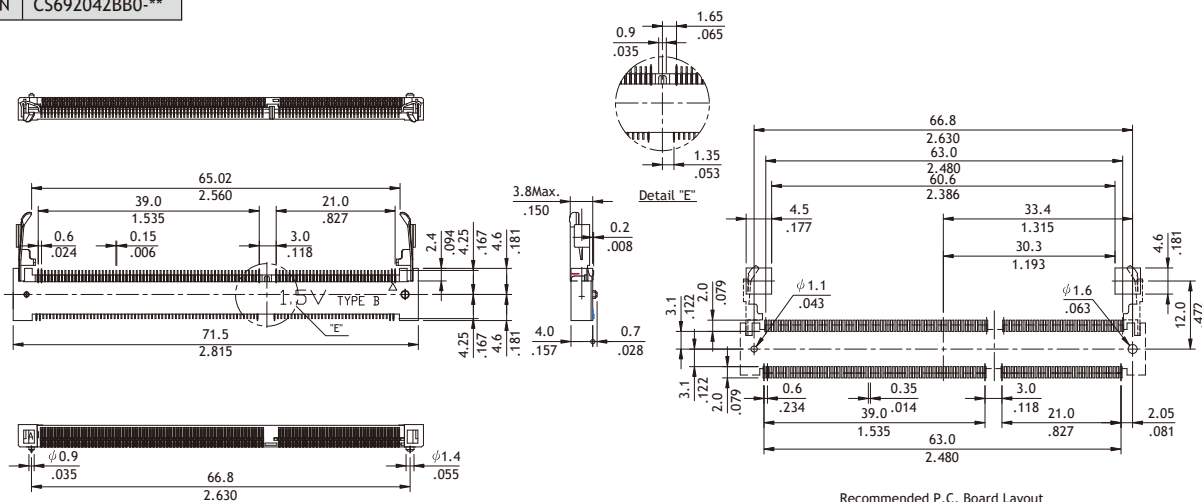


P/N CS692042BA0-**



Recommended P.C. Board Layout

P/N CS692042BB0-**



Recommended P.C. Board Layout

Ordering Code

① CS ② 69 ③ 204 ④ 2 ⑤ B ⑥ A0 - 00

- ① Series No.
- ② No. of Circuits: 204
- ③ Plating Code:
2 = Gold flash over Nickel
- ④ Height: B = 4.0mm
- ⑤ Type: A0 = A Type
B0 = B Type
- ⑥ Other Options:
00 = Standard (Tray Packing)
R0 = Tape & Reel

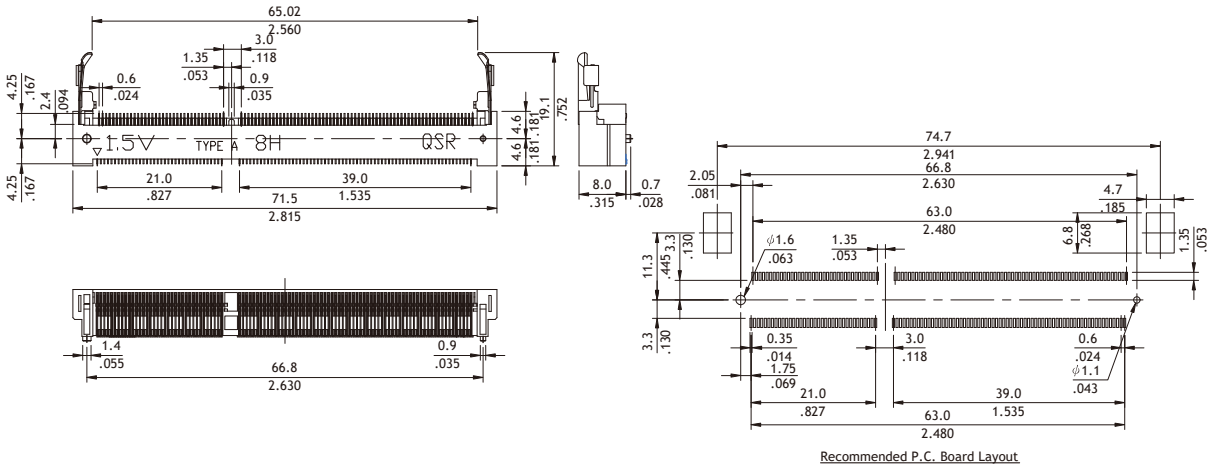
CS69 Series DDR3 S.O DIMM Socket H=8.0

- ⊙ Insulator: LCP UL 94V-0
- ⊙ Contact: Copper Alloy
- ⊙ Power supply: 1.5V

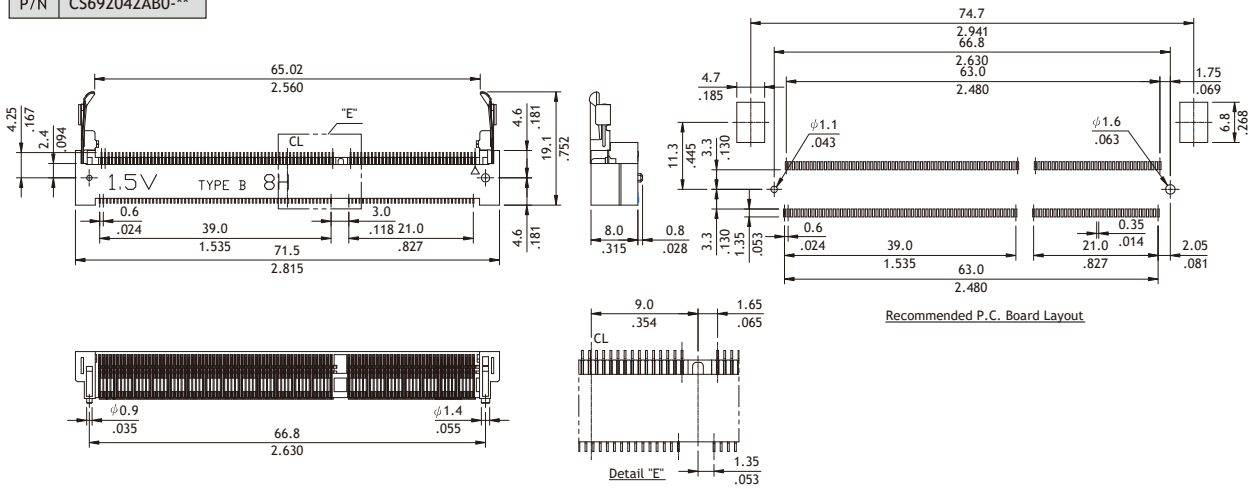
RoHS Compliant  



P/N CS692042AA0-**



P/N CS692042AB0-**



Ordering Code

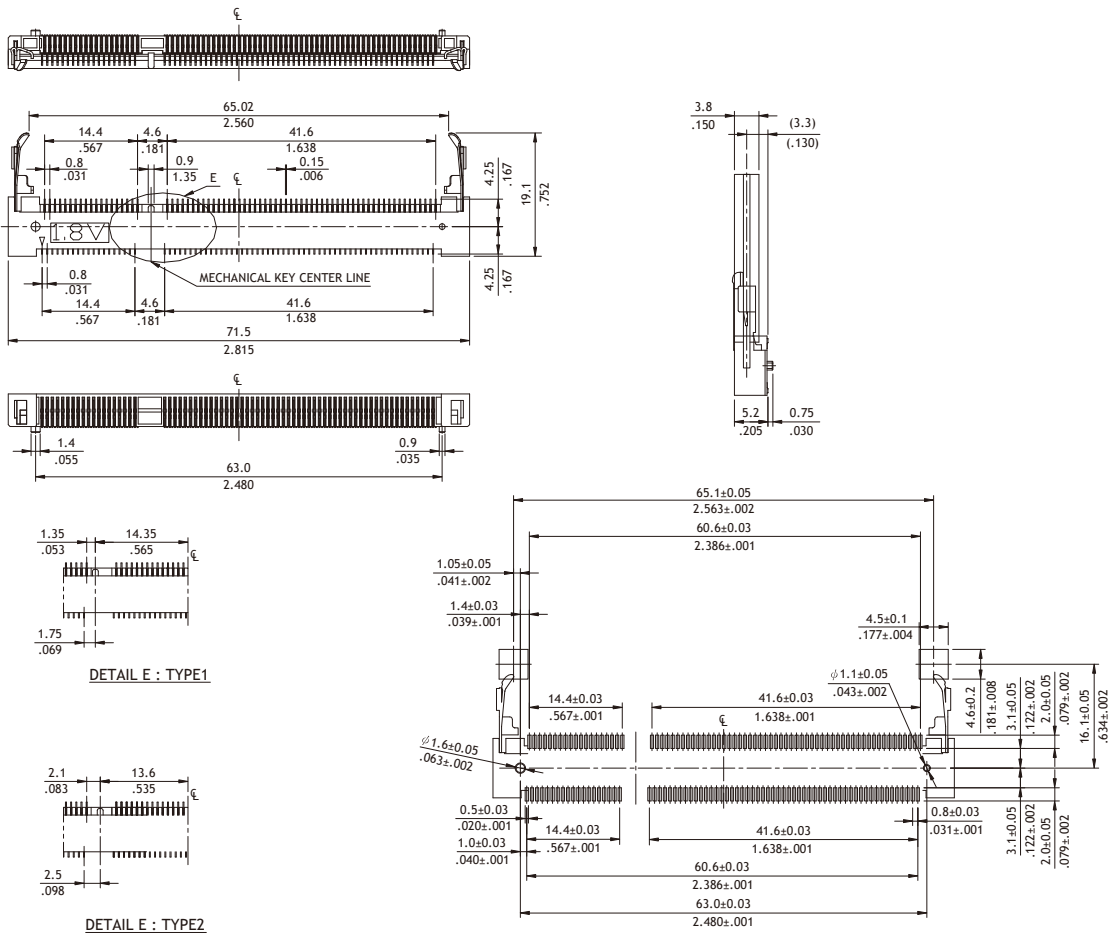
① CS ② 69 ③ 204 ④ 2 ⑤ A A0 - ⑥ 00

- ① Series No.
- ② No. of Circuits: 204
- ③ Plating Code:
2 = Gold flash over Nickel
- ④ Height: A = 8.0mm
- ⑤ Type: A0 = A Type
B0 = B Type
- ⑥ Other Options:
00 = Standard (Tray Packing)
R0 = Tape & Reel

CS69 Series DDR1&DDR2 S.O DIMM Socket H=5.2

- ⊙ Insulator: LCP UL 94V-0
- ⊙ Contact: Copper Alloy
- ⊙ Power supply: 1.8V & 2.5V

RoHS Compliant



Ordering Code

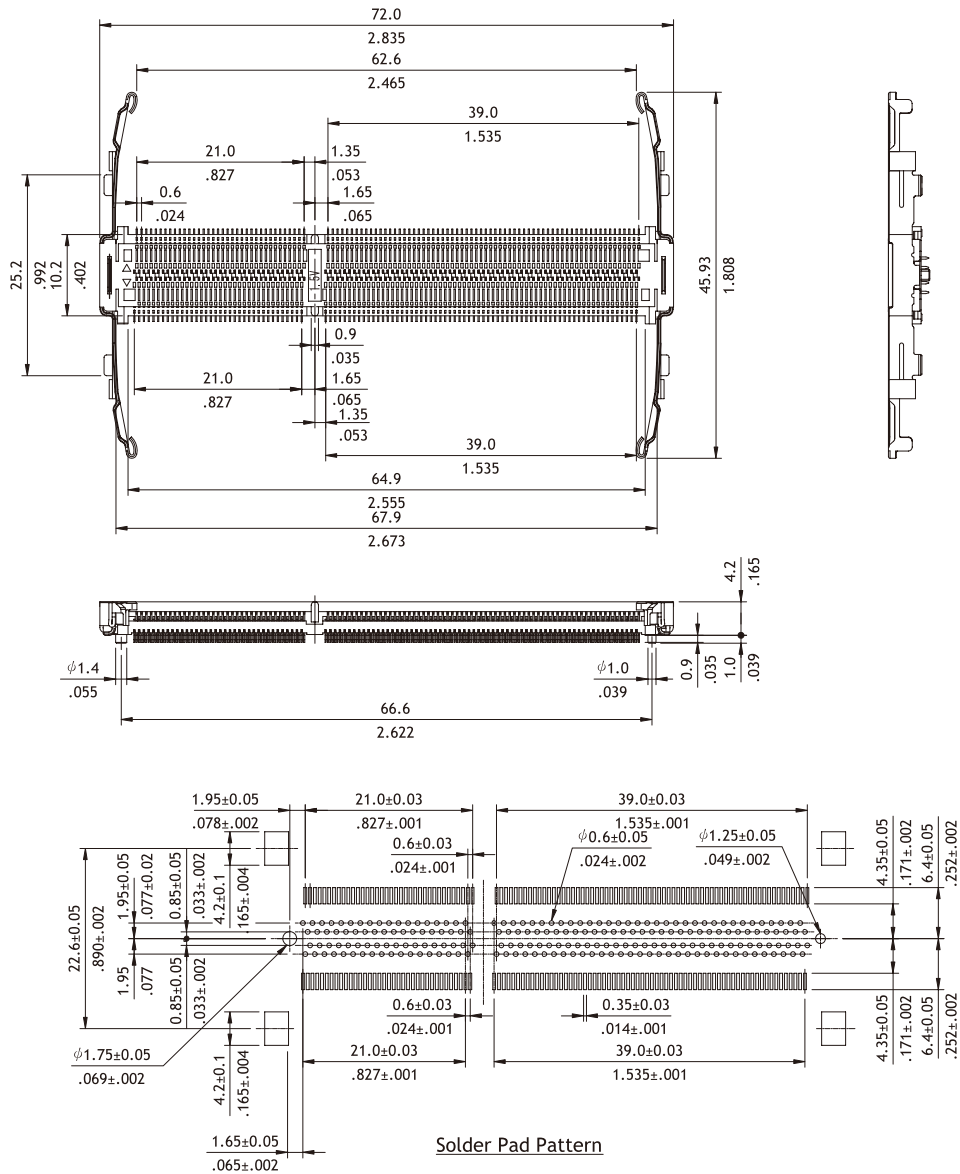
① CS 69 ② 1 4 4 ③ 2 ④ C ⑤ A0 - ⑥ 00

- ① Series No.
- ② No. of Circuits: 144
- ③ Plating Code:
2 = Gold flash over Nickel
- ④ Height: A = 5.2mm
- ⑤ Type: A0 = Type 2 (Power supply 1.8V)
A1 = Type 1 (Power supply 2.5V)
- ⑥ Other Options:
00 = Standard (Tray Packing)
R0 = Tape & Reel

CS70 Series Dual DDR3 DIMM Socket

- ⊙ Insulator: LCP UL 94V-0
- ⊙ Contact: Copper Alloy
- ⊙ Power supply: 1.5V

RoHS Compliant



Ordering Code

① CS 70 ② 4 0 8 ③ 2 ④ 1 ⑤ M 0

- ① Series No.
- ② No. of Circuits: 408
- ③ Plating Code:
2 = Gold flash over Nickel
- ④ Color: 1 = Black
- ⑤ Other Options:
M0 = Standard (With Mylar)

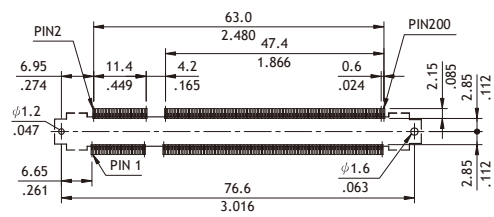
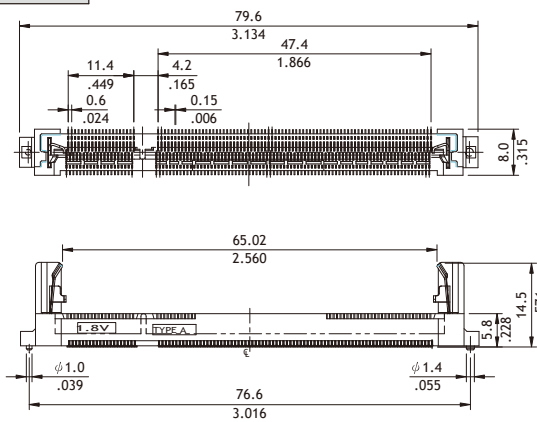
CS70 Series DDR1&DDR2 S.O DIMM Socket Vertical

- ⊙ Insulator: LCP UL 94V-0
- ⊙ Contact: Copper Alloy
- ⊙ Power supply: 1.8V & 2.5V

RoHS Compliant

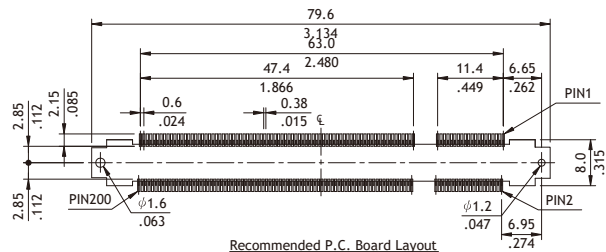
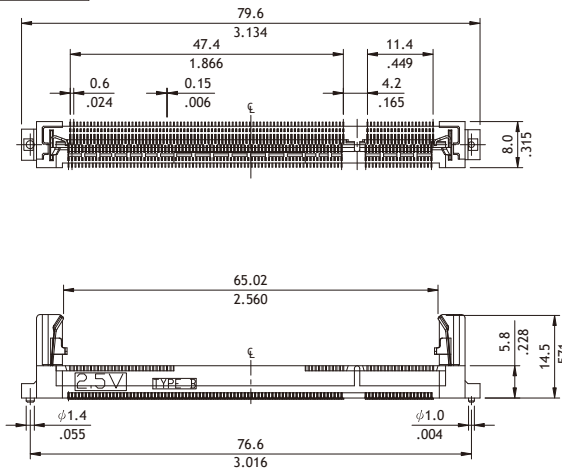


Type A



Recommended P.C. Board Layout

Type B



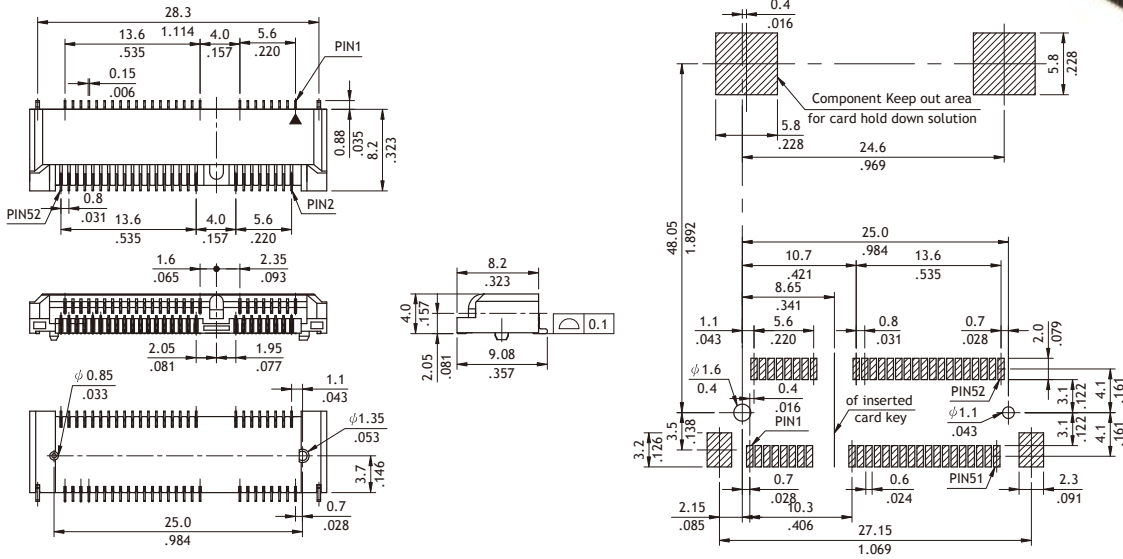
Recommended P.C. Board Layout

Ordering Code

① CS 70 ② 2 0 0 ③ 2 ④ B ⑤ 0 0

- ① Series No.
- ② No. of Circuits: 200
- ③ Plating Code:
2 = Gold flash over Nickel
- ④ Type: A = A Type
B = B Type
- ⑤ Other Options:
00 = Type 2 (Power supply 1.8V)
10 = Type 1 (Power supply 2.5V)

CS59 Series Mini PCI 4.0H 52pin Connectors



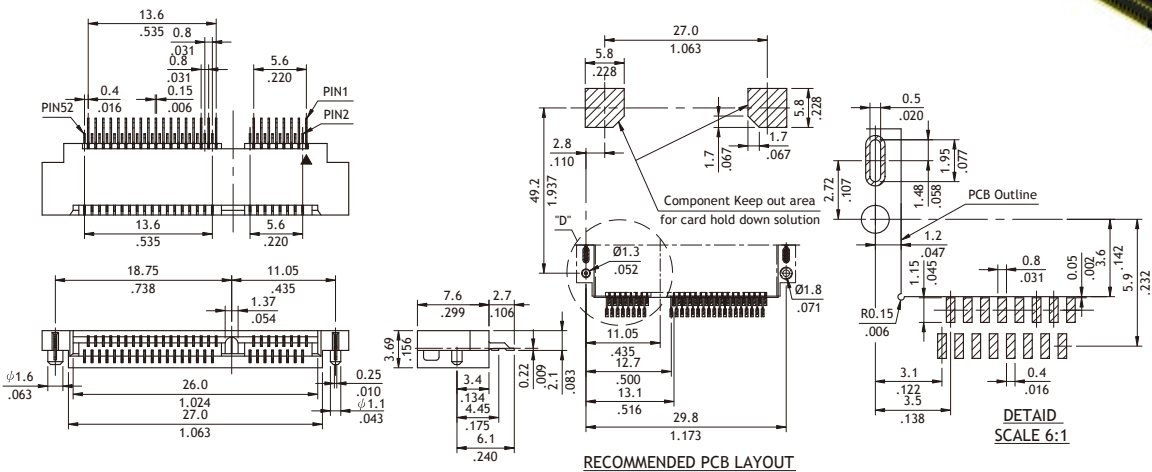
RECOMMENDED PCB LAYOUT

Ordering Code

①	②	③	④	⑤	⑥
CS 5 9	5 2	M	A	1	R 0

① Series No.
 ② No. of Circuits: 52
 ③ Tail Style: M = SMT Type
 ④ Plating Options:
 A = Selective Gold flash plated over Nickel
 ⑤ Color: 1 = Black
 ⑥ Packing Options: R0 = Tape & Reel

CS60 Series Mini PCI 2.1H 52pin Connectors



RECOMMENDED PCB LAYOUT

DETAIL SCALE 6:1

Ordering Code

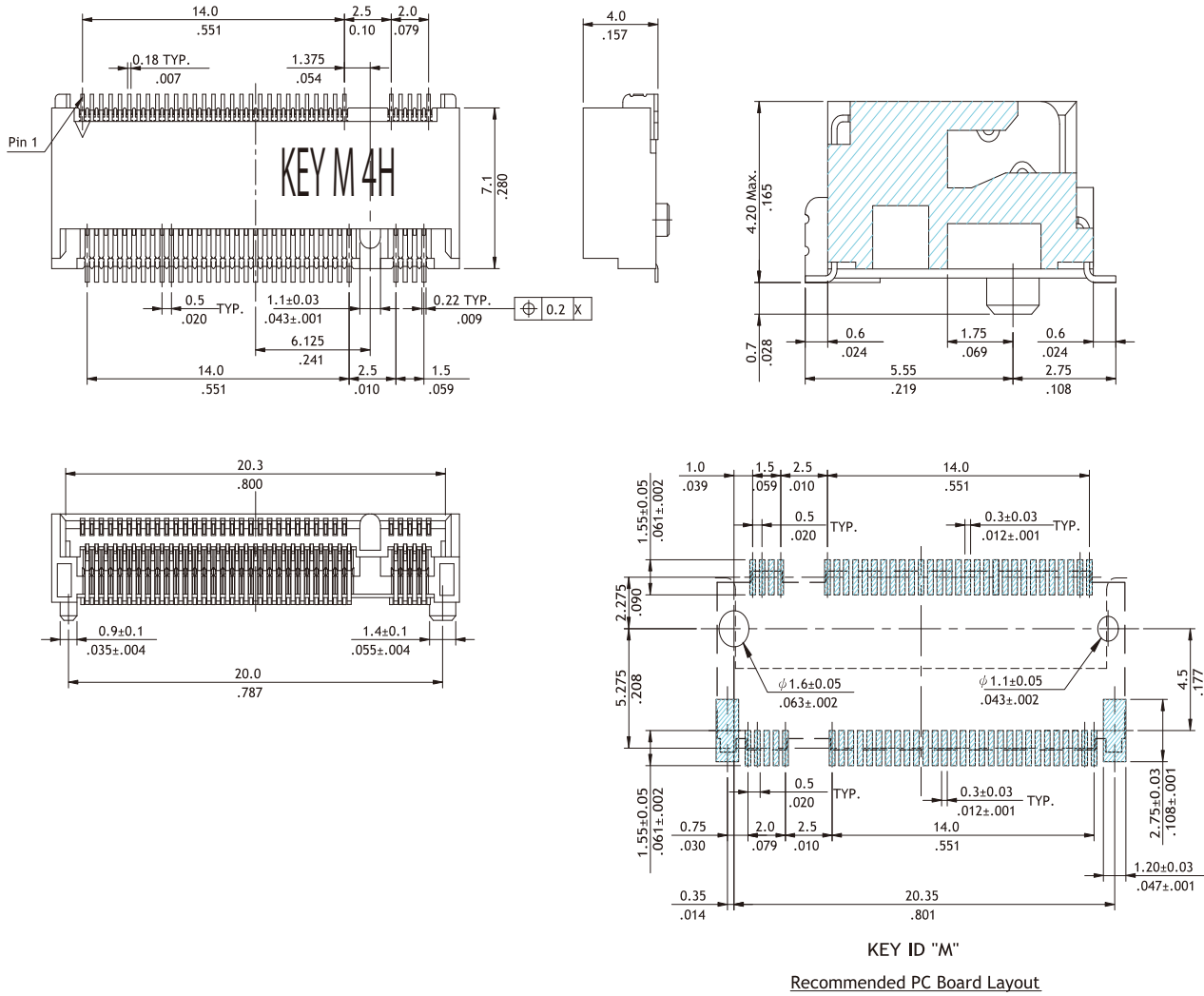
①	②	③	④	⑤	⑥
CS 6 0	5 2	A	1	M	- 0

① Series No.
 ② No. of Circuits: 52
 ③ Plating Options:
 A=Selective Gold flash plated over Nickel
 ④ Color: 1 = Black
 ⑤ Tail Style:M=SMT Type
 ⑥ Other Options:
 0=Standarf

CS76 Series NGFF Connectors

- Housing: High temperature thermo plastic UL 94V-0
- Terminal: Copper Alloy
- Solder Peg: Copper Alloy

RoHS Compliant 



KEY ID "M"

Recommended PC Board Layout

Ordering Code

① CS 7 6 ② 6 7 ③ 2 ④ A ⑤ M 0 - ⑥ R 0

- ① Series No.
- ② No. of Circuits: 67
- ③ Plating Code:
2 = Gold flash over Nickel
- ④ Height: A = 4.0mm
- ⑤ Key ID: M0 = M Key
- ⑥ Packing Options:
R0 = Tape & Reel

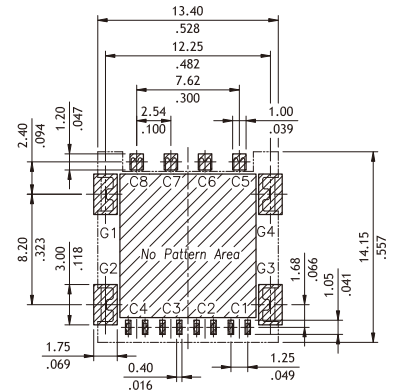
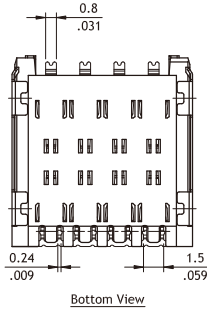
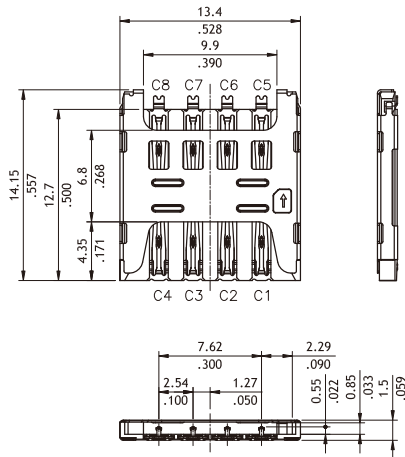
CSM2 Series Micro SIM Card Connectors

- ⊙ Micro Sim card connector
- ⊙ Height: 1.5/1.18mm



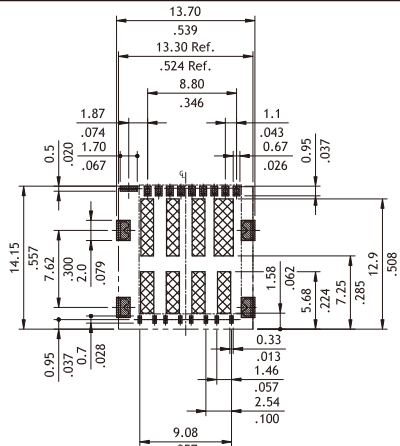
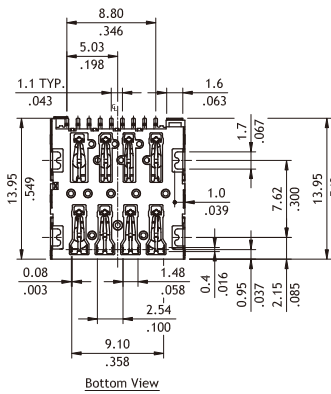
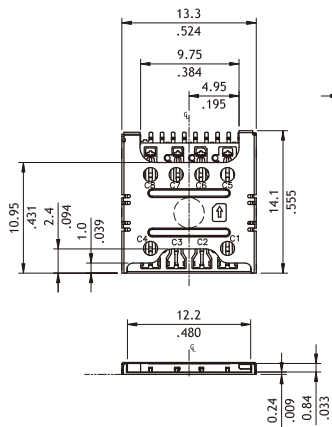
RoHS Compliant

P/N CSM20821A00



Recommended P.C. Board Layout
General Tolerance: ±0.05

P/N CSM20821B00



Recommended P.C. Board Layout
General Tolerance: ±0.05

Ordering Code

①	②	③	④	⑤
CSM2	08	2	1	A00

- ① Series No.
- ② No. of contacts
- ③ Plating option:
2 = Selective Gold flash plated over Nickel

- ④ Insulator Color:
1=Black
- ⑤ A00: H=1.5 mm
B00: H=1.18 mm

CSM1/CSM3 Series H=3.3mm/1.5mm Dual Type SIM Card Connectors

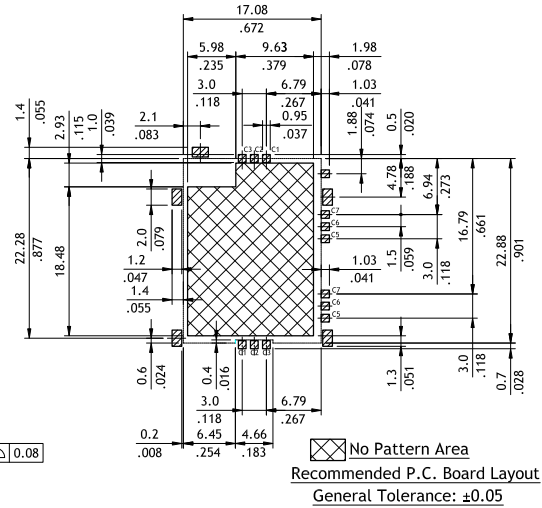
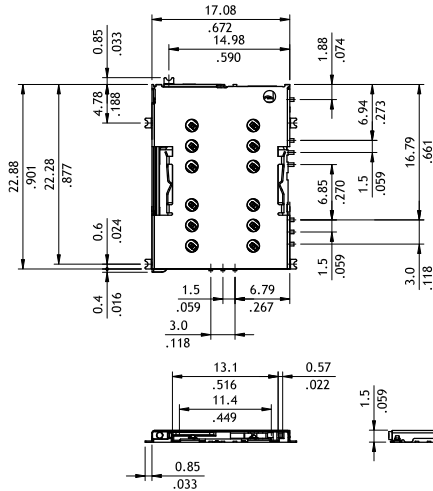
- Dual type Sim card connector
- Height:1.5/3.3mm

NEW

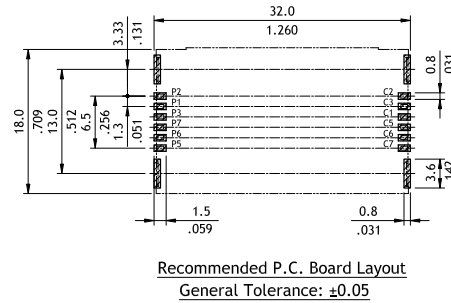
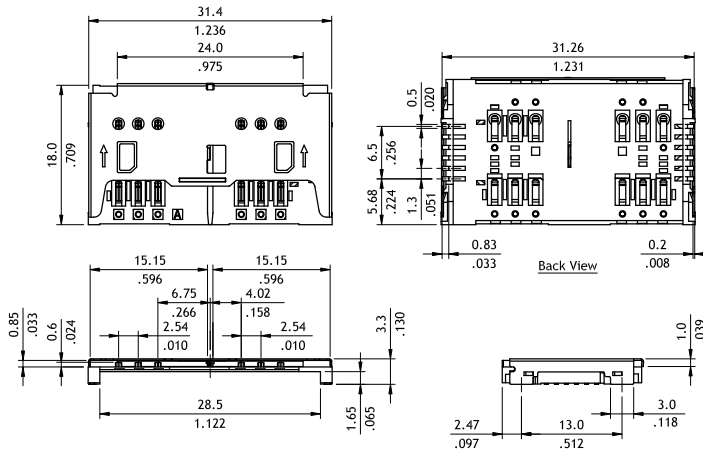


RoHS Compliant

P/N CSM30621AD0



P/N CSM106A1AD0



Ordering Code

① CSM ② 1 ③ A ④ 1 ⑤ A ⑥ D0 ① CSM ② 3 ③ 06 ④ 2 ⑤ 1 ⑥ A D0

- ① Series No.
- ② No. of contacts
- ③ Plating option:
A = Selective Gold flash plated over Nickel

- ④ Insulator Color:
1=Black
- ⑤ A: H=3.3mm
- ⑥ D0= Dual type

- ① Series No.
- ② No. of contacts
- ③ Plating option:
2 = Gold flash plated over Nickel

- ④ Insulator Color:
1=Black
- ⑤ A: H=1.5mm
- ⑥ D0= Dual type