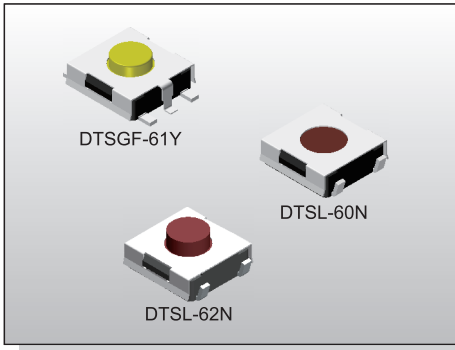


TACT SWITCH DTS(G)(L)(F)-6 SERIES

6x6 Thinner Type With Ground Terminal
(Pitch 4.0mm)



FEATURES

- ※ Thinner type with 2.0-3.1mm height
- ※ Ground terminal available
- ※ Reflow solderable

APPLICATION

- ※ Audio, OA equipment
- ※ Instrumentation
- ※ White goods

SPECIFICATION

Contact Rating	50mA, 12V DC
Contact Resistance	100mΩ max.
Insulation Resistance	100MΩ min. 500V DC
Dielectric Strength	250V AC/1 minute
Operating Force	100±50gf, Black(K) 160±50gf, Brown(N) 200±50gf, Brown(N) 62 Only 260±50gf, Red(R) 320±80gf, White(S) 520±130gf, Yellow(Y)
Travel	0.25mm
Operating Life	300,000 cycles for 520/320gf 500,000 cycles for 260/200gf 1,000,000 cycles for 160/100gf
Operating Temp.	-25°C ~ +70°C
Storage Temp.	-30°C ~ +80°C

HOW TO ORDER

D T S □ □ - **6** □ □ □ - □ □ □ □

□=Without Ground Pin
G=With Ground Pin

L=L S.M.T.
F=F S.M.T.

Total Height:
0=2.00mm
1=2.50mm
2=3.10mm

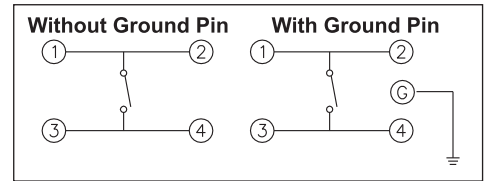
Operating Force:
K=Black, 100gf
N=Brown, 160gf
R=Red, 260gf
S=White, 320gf
Y=Yellow, 520gf
N=Brown, 200gf <Soft actuator 62 Only>

Package:
B=Tube
T/R=Tape & Reel

V=RoHS & Lead Free Solderable
Q=Halogen Free

Actuator Type:
□=Soft <62 Only>
P=Hard

CIRCUIT



PACKAGE

<Tube>

75 pcs

<Tape & Reel>

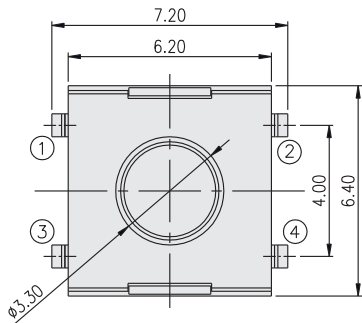
DTS(G)F-60□ / DTSGF-61□: 3000 pcs

DTS(G)L-60□ / DTS(G)L-61□: 2700 pcs

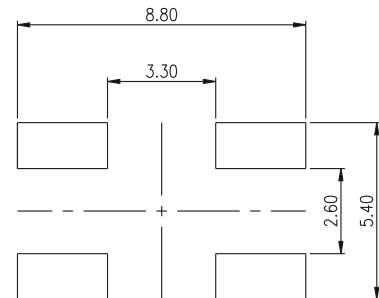
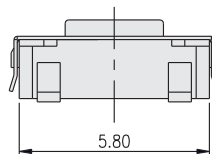
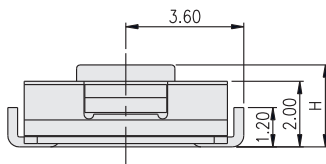
DTS(G)L-62□ / DTS(G)F-62□: 2500 pcs

DTSGF-61□: 2500 pcs

DTSL-6

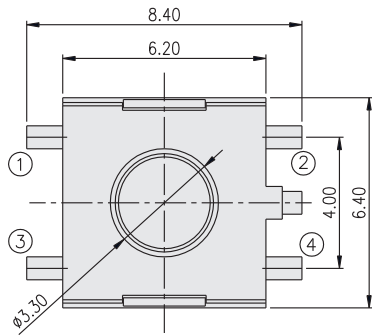


PART NO.	H
DTSL-60	2.00
DTSL-61	2.50
DTSL-62	3.10

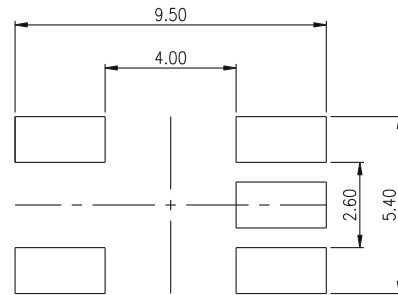
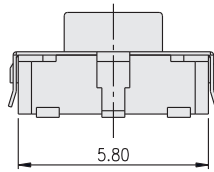
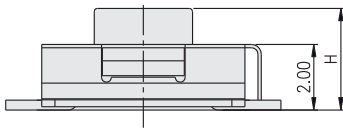


P.C.B. LAYOUT

DTSGF-6



PART NO.	H
DTSGF-60	2.00
DTSGF-61	2.50
DTSGF-62	3.10



P.C.B. LAYOUT