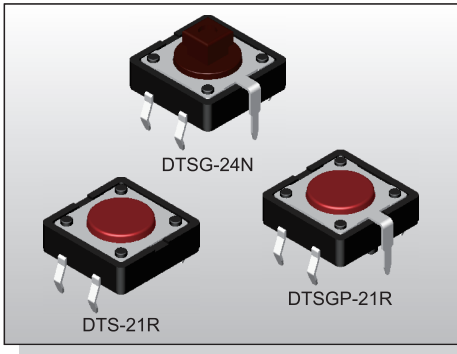


TACT SWITCH
DTS(G)(P)-2 SERIES

**12x12 Through Hole
 With Ground Terminal Type**



FEATURES

- ※ Snap in type with ground pin
- ※ Guide bosses available
- ※ Cap options

APPLICATION

- ※ Audio, OA equipment
- ※ Instrumentation
- ※ Industrial

SPECIFICATION

Contact Rating	50mA, 12V DC
Contact Resistance	100mΩ max.
Insulation Resistance	100MΩ min. 500V DC
Dielectric Strength	250V AC/1 minute
Operating Force	130±50gf, Black(K) 160±50gf, Brown(N) 260±50gf, Red(R) 320±80gf, Salmon(S) 520±130gf, Yellow(Y)
Travel	0.35mm
Operating Life	Phosphor Bronze Dome 100,000 cycles for 520/320/260gf 200,000 cycles for 160gf Stainless Steel Dome 300,000 cycles for 520/320gf 500,000 cycles for 260gf 1,000,000 cycles for 160gf 10,000,000 cycles for 130gf
Operating Temp.	-25°C ~ +70°C
Storage Temp.	-30°C ~ +80°C

HOW TO ORDER

D T S **- 2**

=Without Ground Pin
 G=With Ground Pin

=Without Post
 P=With Post

Dimension H:
 1=4.3mm
 3=7.4mm
 4=7.3(SQ.)x3.8mm
 5=8.5mm

Package:
=Bulk pack
 B=Tube (DTS-2 Only)

V=RoHS & Lead Free Solderable
 Q=Halogen Free

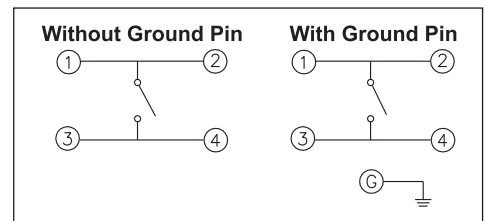
=Phosphor Bronze Dome
 S=Stainless Steel Dome(Only for K, N, R)

Operating Force:
 K=Black, 130g
 N=Brown, 160gf
 R=Red, 260gf
 S=Salmon, 320gf
 Y=Yellow, 520gf

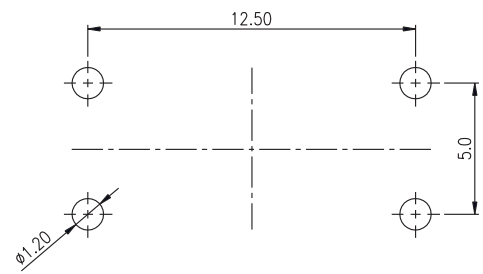
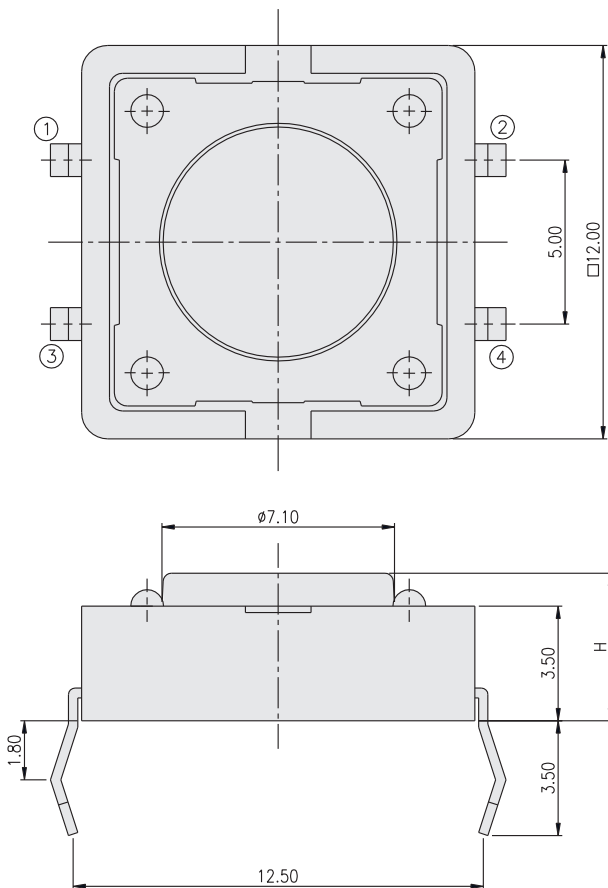
PACKAGE

<Bag>
 500 pcs
 <Tube>
 DTS-2: 40 pcs

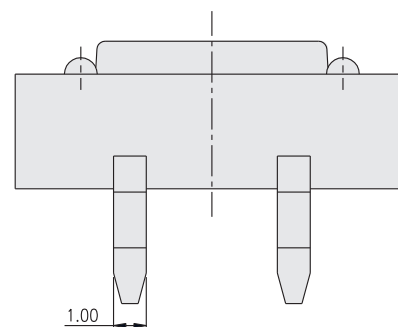
CIRCUIT



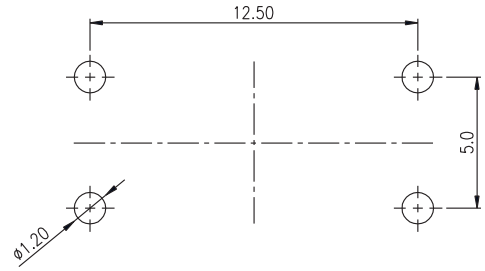
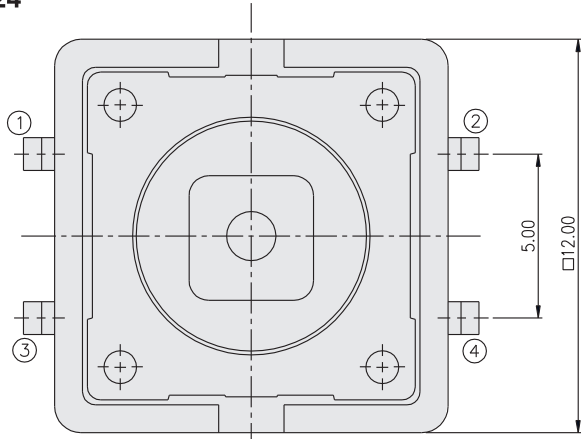
DTS-2



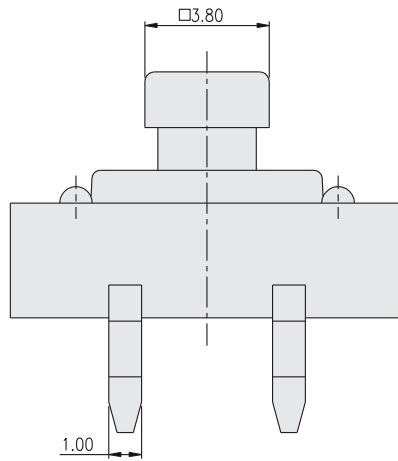
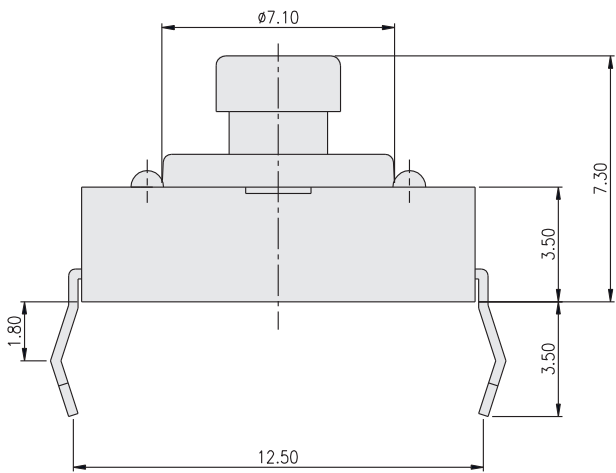
PART NO.	H
DTS-21	4.30
DTS-23	7.40
DTS-25	8.50



DTS-24

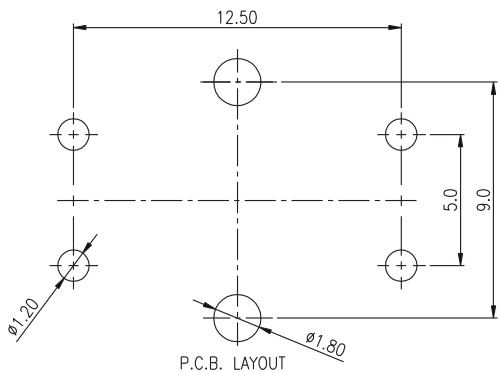
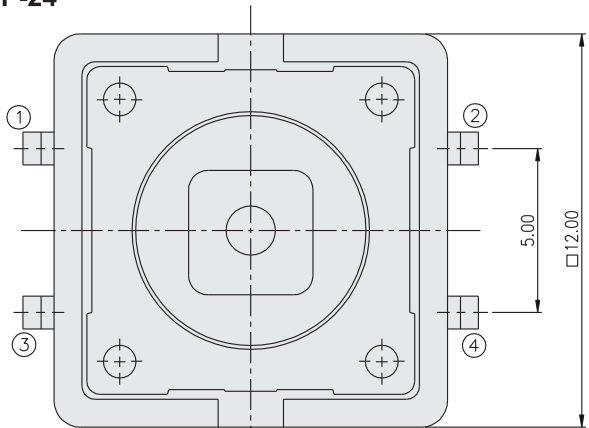


P.C.B. LAYOUT

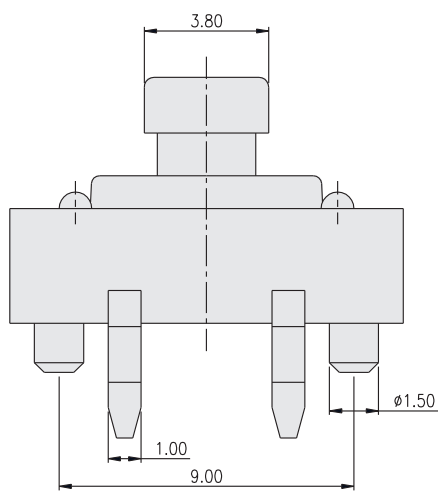
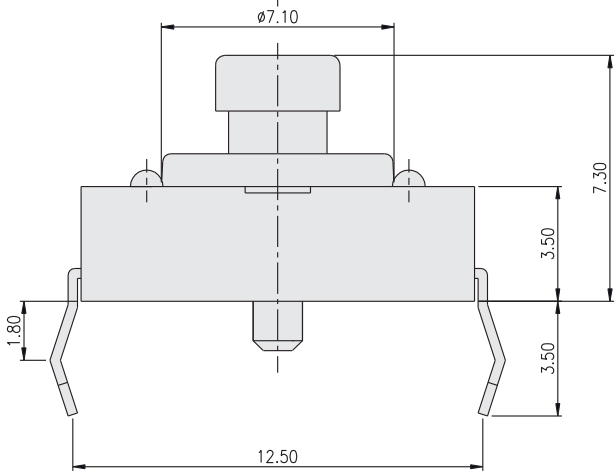


TACT SWITCH

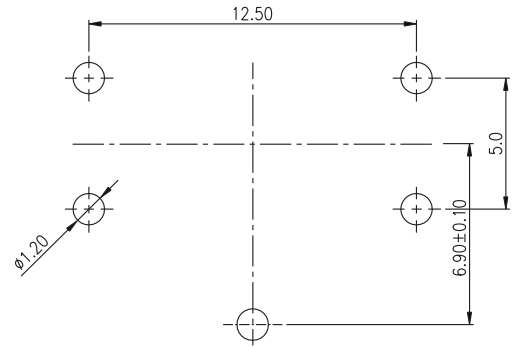
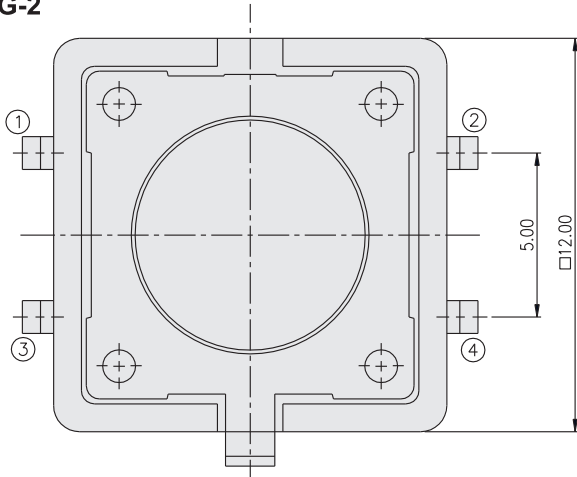
DTSP-24



P.C.B. LAYOUT

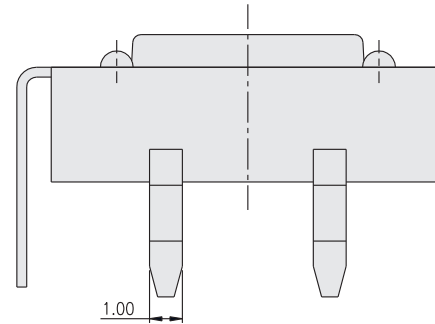
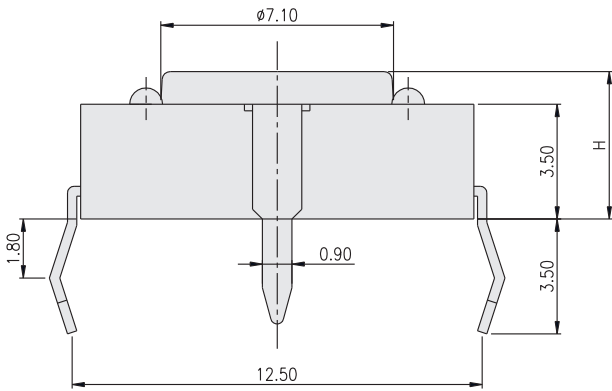


DTSG-2

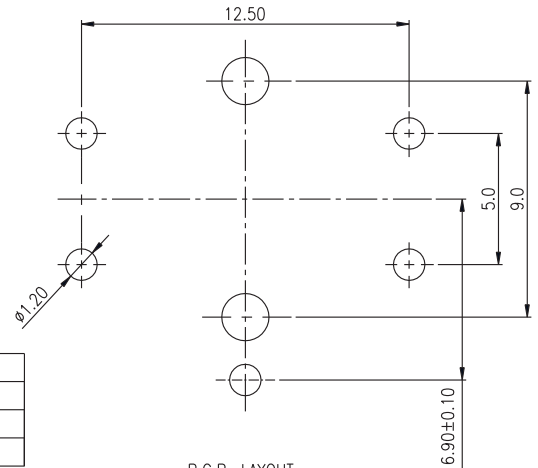
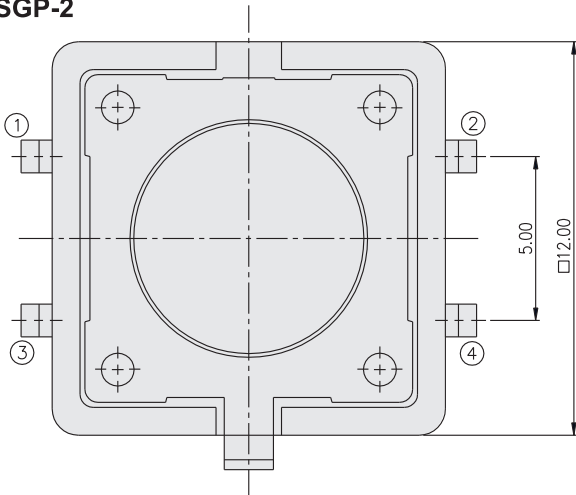


PART NO.	H
DTSG-21	4.30
DTSG-23	7.40
DTSG-25	8.50

P.C.B. LAYOUT

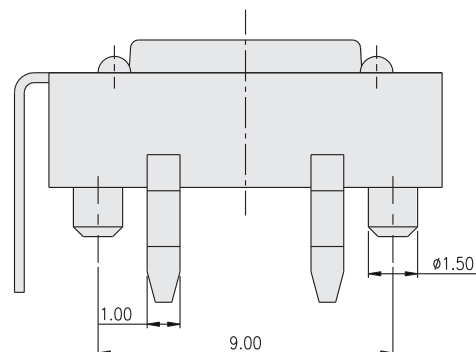
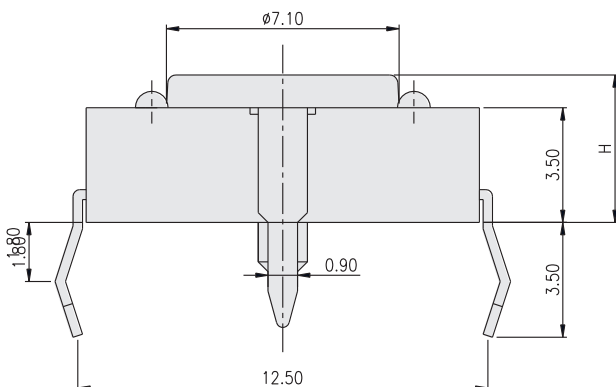


DTSGP-2



PART NO.	H
DTSGP-21	4.30
DTSGP-23	7.40
DTSGP-25	8.50

P.C.B. LAYOUT



TACT SWITCH