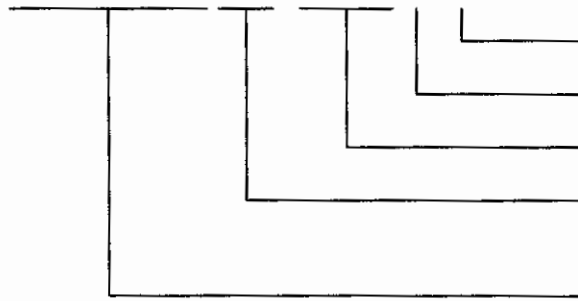


D16PLT1 -000□□



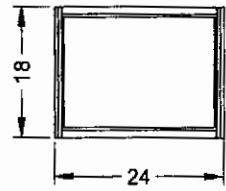
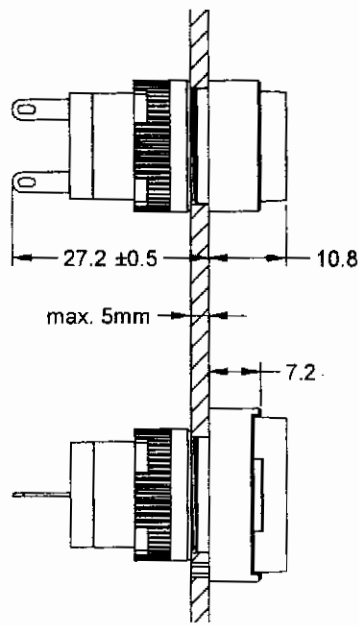
□ : Lens color
 □ : Lamps
 000: Standard
 T1 : Rectangular standard edge
 D16PL : Type

B : Blue
 G : Green
 O : Orange
 R : Red
 W : White
 Y : Yellow

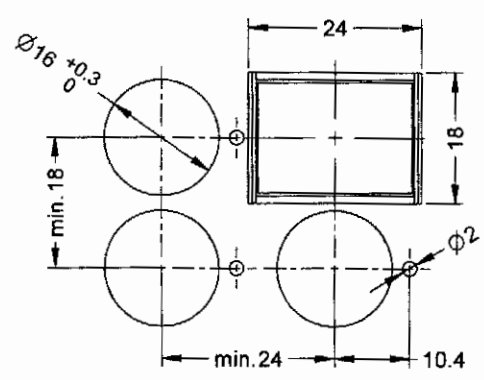
O : Without lamps
 A : Incandescent 6V AC/DC 200mA
 B : Incandescent 14V AC/DC 80mA
 C : Incandescent 28V AC/DC 40mA
 F : Neon 110V/AC
 G : Neon 220V/AC
 H : LED 6V DC
 J : LED 12V DC
 K : LED 24V DC

All materials are lead free according to EU.

Indicator



Hole Dia



Product Specifications

- Panel thickness : 0.5mm ~ 5mm
- Degree of protection : IP 40
- Storage temperature : -40°C to +85°C
- Operating temperature : -25°C to +55°C

Bottom View Electrical Diagram



DECA® SwitchLab Switchlab INC.

DRAWING NO. D16PLxx-000xx		CONFIRMED & ACCEPTED BY:		CONFIRMED BY <i>[Signature]</i>	
SHEET OF 1/1	METRIC M M	DRAWN BY <i>[Signature]</i>	DATE 2006/06/20	GENERAL MANAGER <i>[Signature]</i>	