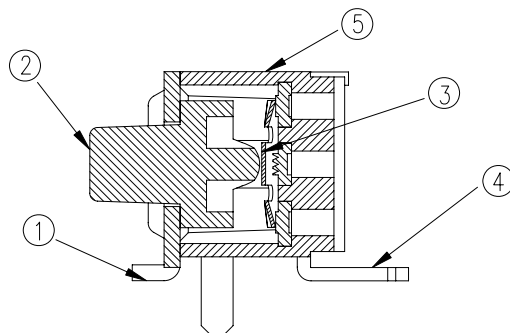


ITEM	DESC	Q'TY	METERIALS	TREATMENT	REMARK
1	COVER	1	NICKEL SILVER	NONE	
2	STEM	1	HIGH-TEMP THERMOPLASTIC PA 9T UL 94V-0	-	
3	CONTACT	1	STAINLESS STEEL	WITH SILVER CLADDING	
4	TERMINAL	1	BRASS	WITH SILVER PLATING	
5	BASE	1	HIGH-TEMP THERMOPLASTIC PA 9T UL 94-0	MOLDED BLACK	



TAC-3

REMARK:

T A C □ - 3 □ □ - □ - □

Termination Type: _____
A=Right Angle Type

C=With Post In The Center _____
□=S.M.T

H=Through Hole Type

Prod. Size: _____
3 = 3.5 x 6

L Height: _____
1 = 0.7mm
2 = 1.4mm
5 = 5.0mm

Package:

T/R=Tape & Reel

□=Bag

Soldering:

V=Lead Free

Color Of Stem For

Operating Force :

N = Brown , 160gf

S = Salmon , 320gf

△N/K=Black, 160gf

C1	新增 TACH-3	
B	新增 TAC-35 之衍生產品	邱明義
A	DWG.REL	邱明義
REV.	ECO. NO.	APPD.

TITLE:	TACT SWITCH SMT	APP. :
	/THROUGHNON-WASHABLE TYPE	CHK. :
PRROD.NO. :	TAC□-3□□-□-□	PR. : PAGGY
FILE NO. :	E-V-CT31	REV. : C1 SHET : 1/1