



Switched-mode power supply unit, 100-240VAC/24VDC, 2.5A, 1-phase, controlled



Part no. **EASY500-POW**  
 Catalog No. **110941**

EL-Nummer **4519604**  
 (Norway)

**Delivery program**

Product range			Control relay easyRelay Multi-function-display MFD-Titan
Product range			Switched-mode power supply units easyPOW
Description			primary chopper controlled
Phases			Single-phase
Input voltage range			85 - 264 V AC
Nominal input voltage			100 - 240 V AC
Rated output voltage			24 V DC (± 3%)
Rated output current		A	2.5
For use with			easy500 easy700 easy800 MFD-CP8 EC4P ES4P
Description			<ul style="list-style-type: none"> <li>• Can be connected directly in parallel</li> </ul>

**Technical data**

**General**

Standards			EN 55011, EN 55022, IEC/EN 61000-4, IEC 60068-2-6, IEC 60068-2-27
Dimensions (W x H x D)		mm	71.5 (4 PE) x 90 x 58
Weight		kg	0.28
Mounting			Top-hat rail IEC/EN 60715, 35 mm or screw fixing using fixing brackets ZB4-101-GF1 (accessories)

**Terminal capacities**

Solid		mm <sup>2</sup>	0.2/4 (AWG 22 - 12)
Flexible with ferrule		mm <sup>2</sup>	0.2/2.5 (AWG 22 - 12)
Standard screwdriver		mm	0.8 x 3.5
Max. tightening torque		Nm	0.6

**Climatic environmental conditions**

Operating ambient temperature		°C	-25 to 55, cold as per IEC 60068-2-1, heat as per IEC 60068-2-2
Condensation			Take appropriate measures to prevent condensation
Storage		°C	- 40 - 70
Relative humidity, non-condensing (IEC/EN 60068-2-30)		%	
Air humidity, non-condensing, min.		%	5
Air humidity, non-condensing, max.		%	95
Air pressure (operation)		hPa	795 - 1080
Max. installation altitude above sea level, observe derating with higher altitudes		m	2000

**Ambient conditions, mechanical**

Protection type (IEC/EN 60529, EN50178, VBG 4)			IP20
Vibrations (IEC/EN 60068-2-6)		Hz	
Constant amplitude 0.15 mm		Hz	10 - 57
Constant acceleration 2 g		Hz	57 - 150
Mechanical shock resistance (IEC/EN 60068-2-27) semi-sinusoidal 15 g/11 ms		Impacts	18
Drop to IEC/EN 60068-2-31	Drop height	mm	50
Free fall, packaged (IEC/EN 60068-2-32)		m	1
Mounting position			Horizontal, terminals top

## Electromagnetic compatibility (EMC)

Electrostatic discharge (IEC/EN 61000-4-2, Level 3, ESD)		kV	
Air discharge		kV	8
Contact discharge		kV	6
Electromagnetic fields (RFI) to IEC EN 61000-4-3		V/m	10
Radio interference suppression			EN 55011 Class B, EN 55022 Class B
Burst pulses (IEC/EN 61000-4-4, level 3)		kV	2
Power pulses (surge) (IEC/EN 61000-4-5)		kV	2 (supply cables, symmetrical)
High-energy pulses (surge) (IEC/EN 61000-4-5, level 2), 24 V		kV	0.5 (outgoer cables symmetrical, EASY...DC)
Immunity to line-conducted interference to (IEC/EN 61000-4-6)		V	10
Surge voltage (EN 50178), 24 V		kV	6

## Insulation resistance

Clearance in air and creepage distances			EN 50178
Insulation resistance			EN 50178
Protection class $U_{out}$ to $U_{in}$			Class II to IEC 60536
Potential isolation primary/secondary			Yes, SELV (VDE 0100 Part 410; IEC 60364-4-41, HD 384.4.41 S2) EN 60950, EN 50178

## Input voltage

Rated input voltage DC		V	100/120/230/240 (-15/+10 %)
Protective switches AC			FAZ-C2/1 oder FAZ-B6/1
DC protective switches			FAZ-C2/1-DC
Voltage range		V AC	85 - 264
Frequency range		Hz	47 - 63
Mains failure bridging 115/230 V (IEC/EN 61000-4-11)		ms	> 20/> 40
Fuse 115/230 V		A	2/1 slow

## Rating data

Efficiency		%	> 85
Power consumption		W	Normally 70
Power loss	P	W	Normally 10

## Input current

Input current nominal 115/240 V		A	Approx. 0.8/0.4
Inrush current at 25 °C 230 V		A	< 30

## Output voltage

24 V DC			
Rated value		V DC	24
Tolerance		%	± 3
Switching peaks 115/230		mV <sub>pp</sub>	< 5
Effect of input voltage		%	± 1
Effect with 25 - 100 % load change		%	± 2
Can be connected in parallel to increase power			Yes

## Output current

24 V DC			
Output current		A	0 - 2.5
Effectiveness of current limitation		A	> 2.8
Reduction of output voltage after current limitation		V	< 18
Overload proof			Yes, by current limitation
Proof against sustained short circuit			Yes, hiccup mode, approx. 2 Hz

## Displays

Indication of output voltage (LED, continuous green light = OK)		V DC	24
---	--	------	----

## Design verification as per IEC/EN 61439

Technical data for design verification			
Rated operational current for specified heat dissipation	$I_n$	A	0
Heat dissipation per pole, current-dependent	$P_{vid}$	W	0
Equipment heat dissipation, current-dependent	$P_{vid}$	W	0
Static heat dissipation, non-current-dependent	$P_{vs}$	W	10
Heat dissipation capacity	$P_{diss}$	W	0
Operating ambient temperature min.		°C	-25

Operating ambient temperature max.	°C	55
IEC/EN 61439 design verification		
10.2 Strength of materials and parts		
10.2.2 Corrosion resistance		Meets the product standard's requirements.
10.2.3.1 Verification of thermal stability of enclosures		Meets the product standard's requirements.
10.2.3.2 Verification of resistance of insulating materials to normal heat		Meets the product standard's requirements.
10.2.3.3 Verification of resistance of insulating materials to abnormal heat and fire due to internal electric effects		Meets the product standard's requirements.
10.2.4 Resistance to ultra-violet (UV) radiation		Meets the product standard's requirements.
10.2.5 Lifting		Does not apply, since the entire switchgear needs to be evaluated.
10.2.6 Mechanical impact		Does not apply, since the entire switchgear needs to be evaluated.
10.2.7 Inscriptions		Meets the product standard's requirements.
10.3 Degree of protection of ASSEMBLIES		Meets the product standard's requirements.
10.4 Clearances and creepage distances		Meets the product standard's requirements.
10.5 Protection against electric shock		Does not apply, since the entire switchgear needs to be evaluated.
10.6 Incorporation of switching devices and components		Does not apply, since the entire switchgear needs to be evaluated.
10.7 Internal electrical circuits and connections		Is the panel builder's responsibility.
10.8 Connections for external conductors		Is the panel builder's responsibility.
10.9 Insulation properties		
10.9.2 Power-frequency electric strength		Is the panel builder's responsibility.
10.9.3 Impulse withstand voltage		Is the panel builder's responsibility.
10.9.4 Testing of enclosures made of insulating material		Is the panel builder's responsibility.
10.10 Temperature rise		The panel builder is responsible for the temperature rise calculation. Eaton will provide heat dissipation data for the devices.
10.11 Short-circuit rating		Is the panel builder's responsibility.
10.12 Electromagnetic compatibility		Is the panel builder's responsibility.
10.13 Mechanical function		The device meets the requirements, provided the information in the instruction leaflet (IL) is observed.

## Technical data ETIM 7.0

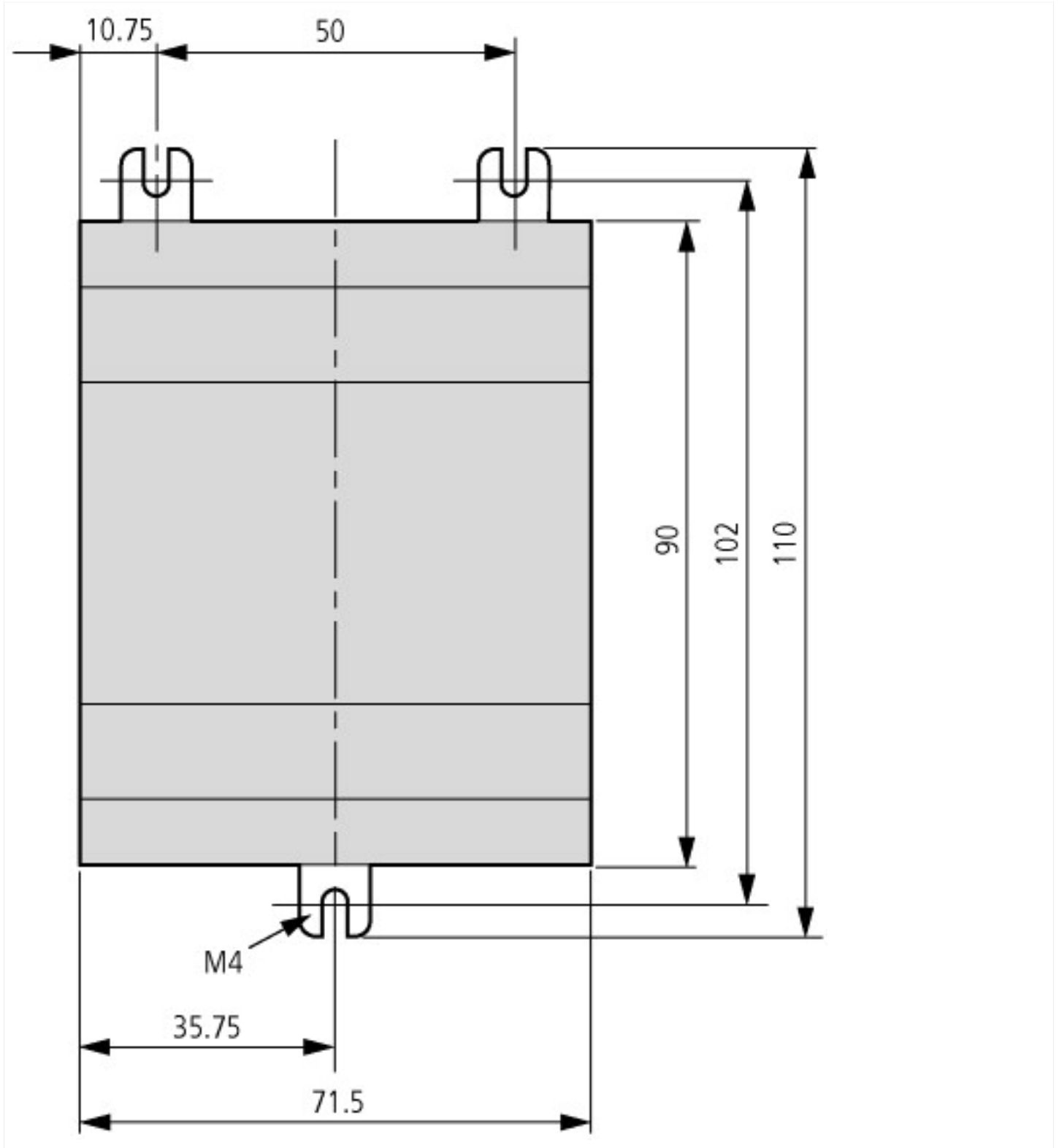
PLC's (EG000024) / PLC system power supply (EC000599)		
Electric engineering, automation, process control engineering / Control / Programmable logic control (SPS) / SPS system power supply (ecl@ss10.0.1-27-24-22-09 [AKE532014])		
Input voltage at AC 50 Hz	V	85 - 264
Input voltage at AC 60 Hz	V	85 - 264
Input voltage at DC	V	0 - 0
Type of voltage (input voltage)		AC
Max. input current AC 50 Hz	A	0
Max. input current AC 60 Hz	A	0
Max. input current DC	A	0
Type of output voltage		DC
Output voltage at AC 50 Hz	V	0 - 0
Output voltage at AC 60 Hz	V	0 - 0
Output voltage at DC	V	0 - 0
Max. output current AC 50 Hz	A	0
Max. output current AC 60 Hz	A	0
Max. output current DC	A	2.5
Power output	W	60
Redundancy		No
Suitable for safety functions		No
Width	mm	72
Height	mm	90
Depth	mm	60

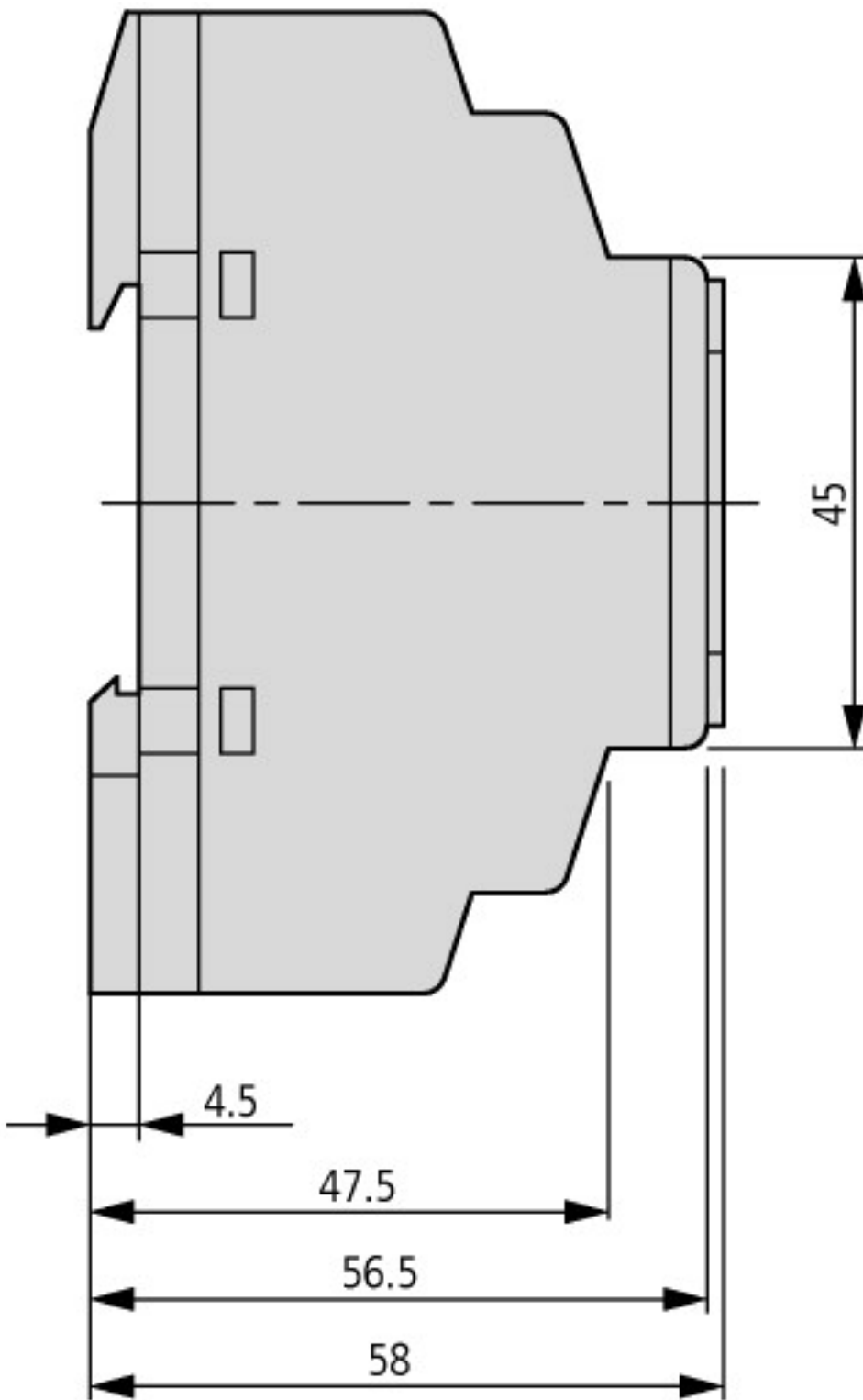
## Approvals

Product Standards		IEC/EN see Technical Data; UL 508; CSA C22.2 No. 107.1-01; CE marking
UL File No.		E300415

UL Category Control No.		NMTR, NMTR7
CSA File No.		UL report applies to both US and Canada
CSA Class No.		3211-87, 3211-07
North America Certification		UL listed, certified by UL for use in Canada
Degree of Protection		IEC: IP20, UL/CSA Type: -

## Dimensions





## Assets (links)

### Declaration of CE Conformity

00002087

### Instruction Leaflets

IL05012003Z2018\_02

## Additional product information (links)

### Instruction leaflet "power supply unit" IL05012003Z (AWA2727-1869)

Instruction leaflet "power supply unit"  
IL05012003Z (AWA2727-1869)

[ftp://ftp.moeller.net/DOCUMENTATION/AWA\\_INSTRUCTIONS/IL05012003Z2018\\_02.pdf](ftp://ftp.moeller.net/DOCUMENTATION/AWA_INSTRUCTIONS/IL05012003Z2018_02.pdf)