

Fuse Holders and Blocks

Section Contents Page

CH Series Global Modular fuse holders and accessories 274-280

Remote Fuse Monitoring - CH-PLCCH 278

Comb-Bus bar specifications and selection guide 279

Comb-Bus bar features and installation guide 280

CH Series Class J modular fuse holders 281

OPM-1038 3-pole fuse holders with disconnect switch 282

OPM-1038 3-pole fuse holders 283

OPMNGA- 3-pole Class CC and 1 $\frac{3}{8}$ " X 1 $\frac{1}{2}$ " fuse overcurrent protection modules 284-285

JT(N)60030 & JT(N)600600 Safety J™ Class J fuse holders 286-287

SAMI™ fuse covers 288

Modular Knifeblade Fuse Holders 289-290

Class R, H(K), 250 & 600V 291-292

Class J, 600V 293

H250 & R250 Series 250V Class H (K) and R fuse blocks 294-295

H600 & R600 600V Class H (K) and R fuse blocks 296-297

J600 Series Class J fuse blocks 298

JP Series Class J fuse blocks 299

T300 300V Class T fuse blocks 300-301

T600 600V Class T fuse blocks 302-303

BCA Series Class CC add-a-pole modular fuse blocks 304

BMA Series 1 $\frac{3}{8}$ " X 1 $\frac{1}{2}$ " fuse add-a-pole modular fuse blocks 304

BC Series Class CC fuse blocks 305

BM Series Type M 1 $\frac{3}{8}$ " X 1 $\frac{1}{2}$ " fuse blocks 305

BG & G Series Class G fuse blocks 305

BH Series high speed fuse modular fuse blocks 306

Class H & J modular fuse blocks 306

Plug fuse box cover units 307

HFB & HEB-10 in-line fuse holders for ¼" X 1 ¼" fuses 308

HHB & HRK universal in-line fuse holders for ¼" dia. fuses 308

HR & HM Series in-line fuse holders for ¼" dia. fuses 309

HFA Series waterproof in-line fuse holders for ¼" X 1 ¼" fuses 309

HHT Series in-line fuse holders for 5 X 15 to 20mm fuses 309

Tron™ in-line fuse holders (New HEZ) 309-311

Panel mounted fuse holders for 5 X 20mm fuses 312

Panel mounted fuse holders for ¼" X 1 ¼" fuses 313

Panel mounted fuse holders for 5 X 20mm and ¼" X 1 ¼" fuses 314-315

Panel mounted fuse holders for indicating type fuses 316

Panel mounted fuse holders for 1 $\frac{3}{8}$ " X 1 $\frac{5}{16}$ " to 1 $\frac{1}{2}$ " fuses 317

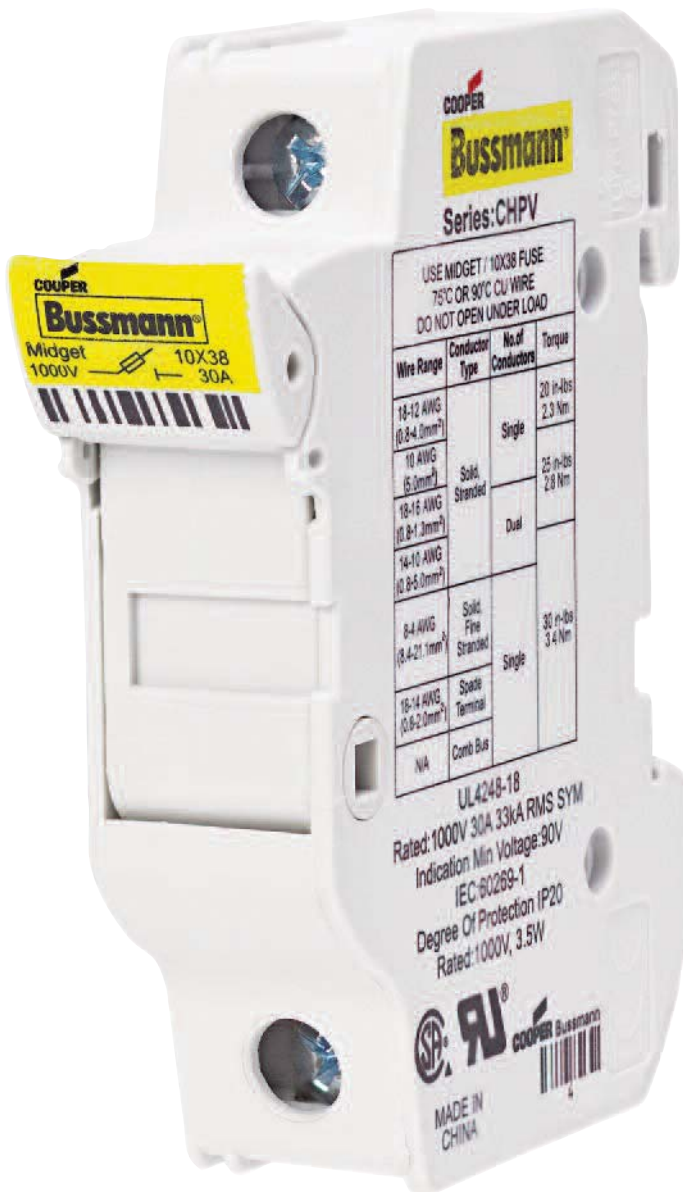
Panel mounted fuse holders for 1 $\frac{3}{8}$ " X 1 $\frac{1}{2}$ " fuses 318

Fuse blocks for ¼" X 1 ¼" fuses 319

Fuse blocks for ¼" X 1" fuses 320

Fuse blocks for 1 $\frac{3}{8}$ " X 1 $\frac{1}{2}$ " fuses 321

Rail mount fuse holders 322



RED indicates NEW information

Fuse Holders & Blocks

Global Modular Fuse Holders

CH Series - 8x32, 10x38, 14x51, 22x58, Class CC

Specifications

Description: The 'CH' line of modular fuse holders accommodates many fuses from around the world, including North American Class-CC, Midget, Class gR, aR HSF, and IEC Industrial Ferrule (Class gG and aM) in four physical sizes: 8x32, 10x38, 14x51 and 22x58mm.



Agency Information:

UL File E14853
Guide IZLT Listed, IZLT2 Recognized
CSA: File 47235, CHPV and CHM - Class 6225-30,
CHCC - Class 6225-01

Ratings:

600V/30A (UL)
690V/32A (IEC)

Wire Range:

#18 to #4 (0.8mm² to 21.1mm²)

Torque Ratings:

30 Lb-In (3.4 N•m) maximum

Flammability Ratings:

UL 94V0, self-extinguishing

Storage & Operating Temperature Range:

-20°C to +90°C (indicating)
-20°C to +120°C (non-indicating)

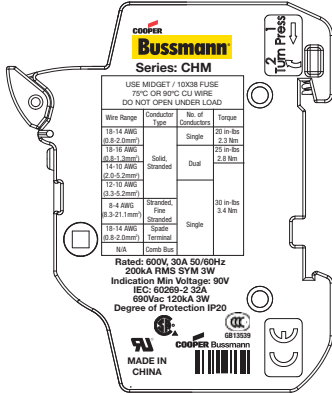
Features/Benefits

- High SCCR rated, UL Listed Class CC holder with indicator option for 600Vac/dc and 48Vdc.
- UL Recognized midget and 10 x 38 holders with factory assembled neutral pole option.
- Agency ratings up to 1000Vdc for use with solar PV fuses.
- Available remote PLC indication with the CH-PLC module.
- Terminals rated for use with 75°C or 90°C wire, fine stranded wire, spade terminals and comb-bus bars. Use any higher temperature rated wire with appropriate derating.
- Complete range of UL Listed and high SCCR rated 1-phase and 3-phase finger-safe comb-bus bars and power feed lugs.

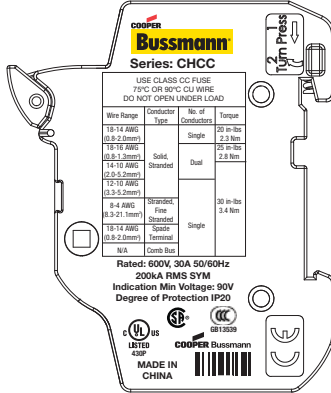
Series & Size	Catalog Number		Voltage & Current	Agency Markings	Number of Poles	Terminal Rating	SCCR Rating	Cooper Bussmann Fuses
	With Indicator	Without Indicator						
CHM 10x38 and Midget	CHM1DIU	CHM1DU	UL 600V/30A; IEC 690V/32A	cURus; IEC 60269-2	1	Solid, Stranded, Fine Stranded, Spade Lug, Comb Bus Bar; Single and Dual Wire; 75°C and 90°C Cu wire	100kA rms sym	FNQ, KLM, FNM, KTK, BAF, FWA, DCM, C10 SERIES, AGU, BAN, FWC
	CHM2DIU	CHM2DU			2			
	CHM3DIU	CHM3DU			3			
	CHM4DIU	CHM4DU			4			
	CHM1DNIU	CHM1DNU	60269-2	1 pole + 1 neutral				
	CHM3DNIU	CHM3DNU		3 poles + 1 neutral				
	CHM1DI-48U		UL 48Vdc/30A; IEC 48Vdc/32A		1			
	CHM1DNXU	IEC 690V/32A	IEC60269-2	1 neutral	n/a	n/a		
CHPV	CHPV1IU	CHPV1U	UL & IEC; 1000Vdc/30A	UR, CSA, UL4248-18, IEC60269-1	1	33kA rms sym	Solar PV series	
	CHPV2IU	CHPV2U			2			
CHCC Class CC	CHCC1DIU	CHCC1DU	UL 600V/30A	cULus	1	200kA rms sym	LP-CC, FNQ-R, KTK-R	
	CHCC2DIU	CHCC2DU			2			
	CHCC3DIU	CHCC3DU			3			
		CHCC1DI-48U	UL 48Vdc/30A		1			

Rail Mount Fuse Blocks and Holders

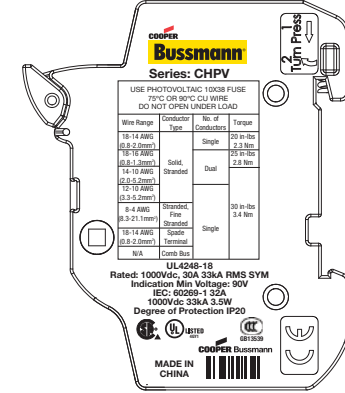
CHM & CHMI



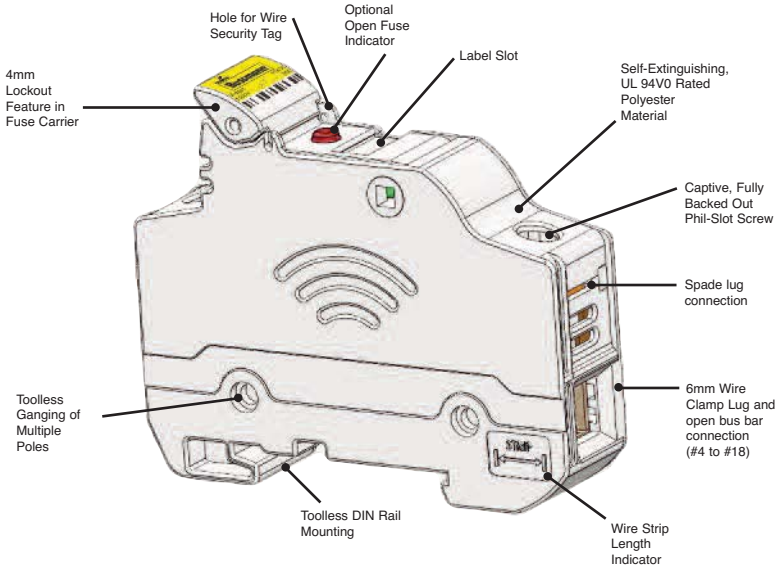
CHCC & CHCCI



CHPV & CHPVI

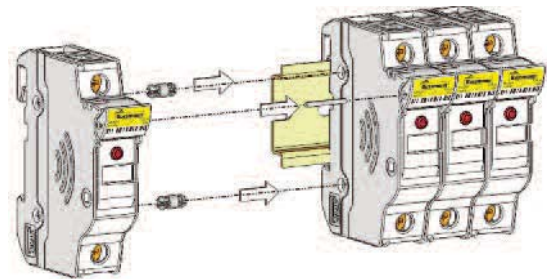


Features



Multi-Pole Ganging

Use multi-pole connection kit part number JV-L to gang multiple poles together. One JV-L kit is sufficient to gang up to 4 poles.



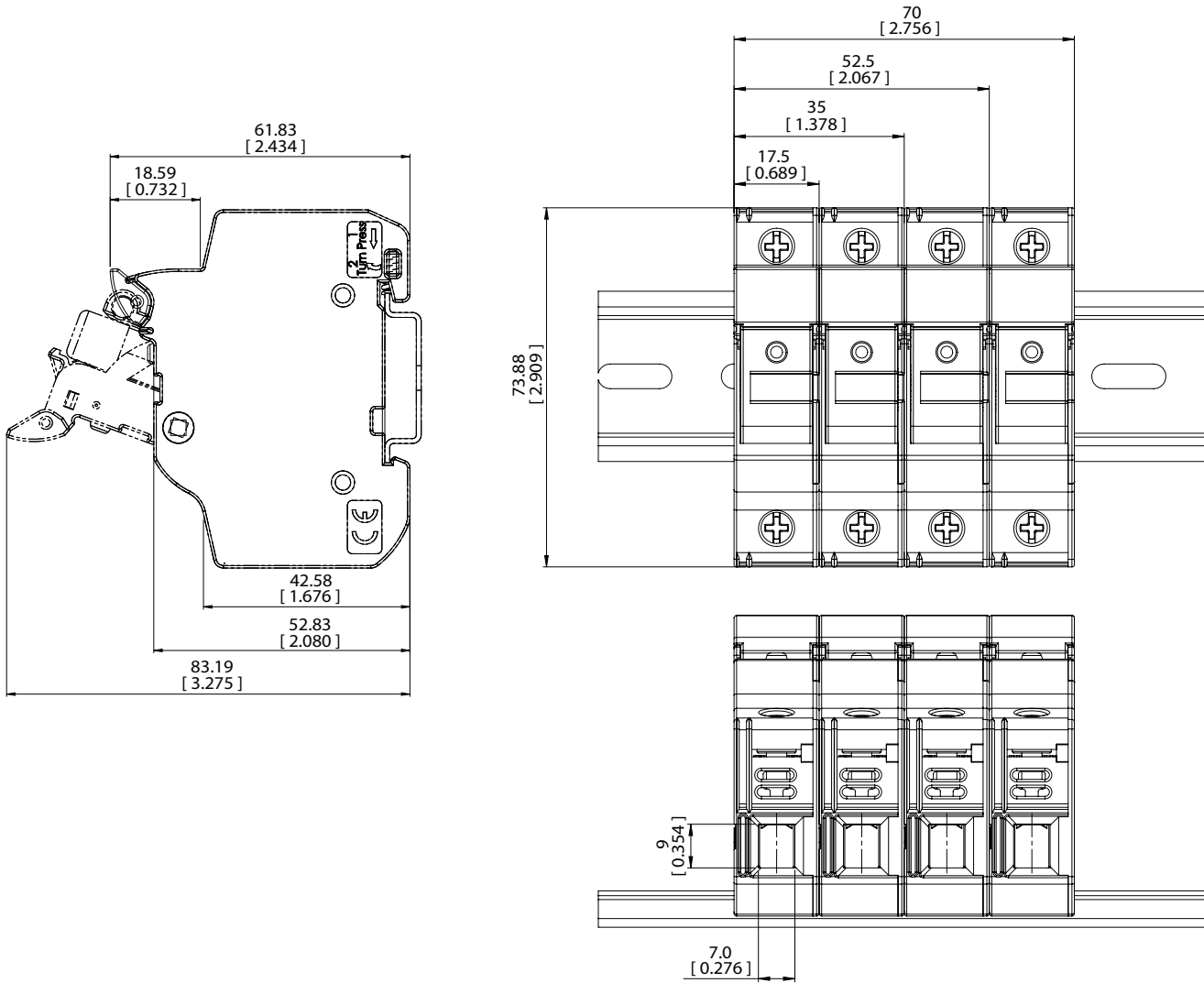
For additional information see reorder #3185

For product data sheets, visit www.cooperbussmann.com/DatasheetsEle

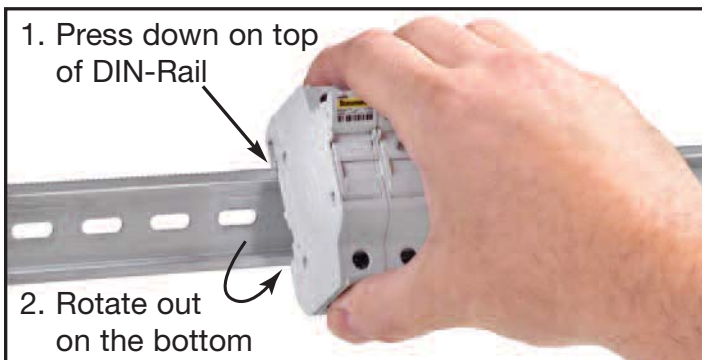
Courtesy of Steven Engineering, Inc. - (800) 258-9200 - sales@steveneng.com - www.stevenengineering.com

Rail Mount Fuse Blocks and Holders

Dimensional Data - mm (in)



Removing Instructions



Global Modular Fuse Holders



Catalog Numbers											
Without Indication	With* Indication	Size	Max Voltage & Current	IEC	UL	Phase Configuration	No. of 17.5mm Modules	Wire Range	Maximum Torque		
CH081D	CH081DI	CH08 8x32	IEC 400Vac 25A	•		1-pole	1	1-16mm ² (18-8 AWG)	2.5 N•m (22LB-In)		
CH081DNX	-			•		1 Neutral Pole	1				
CH081DNS	CH081DNSI			•		1-pole + Neutral	1	1-10mm ² (18-8 AWG)	2.0 N•m (17.5LB-In)		
CH081DN	CH081DNI			•		1-pole + Neutral	2	1-16mm ² (18-8 AWG)	2.5 N•m (22LB-In)		
CH082D	CH082DI			•		2-pole	2				
CH083D	CH083DI			•		3-pole	3				
CH083DNS	CH083DNSI			•		3-pole + Neutral	3				
CH083DN	CH083DNI			•		3-pole + Neutral	4				
CH084D	CH084DI			•		4-pole	4				
CHM1DU	CHM1DIU			CHM 10X38 and Midget	UL 600V/30A; IEC 690V/32A	•	*	1-pole	1	1-21mm ² (18-4 AWG)	3.4 N•m (30LB-In)
CHM2DU	CHM2DIU	•	*			2-pole	2				
CHM3DU	CHM3DIU	•	*			3-pole	3				
CHM4DU	CHM4DIU	•	*			4-pole	4				
CHM1DNU	CHM1DNIU	•	*			1-pole + Neutral	2				
CHM3DNU	CHM3DNIU	•	*			3-pole + Neutral	4				
-	CHM1DI-48U	UL 48Vdc/30A; IEC 48Vdc/32A	•			*	1-pole	1			
CHM1DNXU	-	IEC 690V/32A	•				1-pole + Neutral	2			
CHPV1U	CHPV1IU	CHPV	UL & IEC; 1000Vdc/30A			•	†††	1-pole	1	1-21mm ² (18-4 AWG)	3.4 N•m (30LB-In)
CHPV2U	CHPV2IU					•	†††	2-pole	2		
CHCC1DU	CHCC1DIU	CHCC Class CC	UL 600V/30A		**	1-pole	1				
CHCC2DU	CHCC2DIU				**	2-pole	2				
CHCC3DU	CHCC3DIU				**	3-pole	3				
CHCC1DI-48U	-			UL 48Vdc/30A		**	1-pole	1			
CH141D	CH141DI	CH14 14x51	UL 600Vac/dc 40A (5 Watt) IEC 690Vac, 50A	•		1-pole	1.5	2.5-16mm ² (14-6 AWG)	3.0 N•m (26LB-In)		
CH141DMS	-			•		1-pole + Microswitch	1.5				
CH141DNX	-			•		1 Neutral Pole	1.5				
CH141DN	CH141DNI			•		1-pole + Neutral	3				
CH142D	CH142DI			•	†	2-pole	3				
CH143D	CH143DI			•	†	3-pole	4.5				
CH143DMS	-			•		3-pole + Microswitch	4.5				
CH143DN	CH143DNI			•		3-pole + Neutral	6				
CH143DNMS	-			•		3-pole + Neutral + Microswitch	6				
CH144D	CH144DI			•		4-pole	6				
CH221D	Not Available with local neon indication (remote microswitch only)	CH22 22x58	UL 600Vac/dc, 100A (9.5 Watt) IEC 690Vac, 125A	•	†	1-pole	2	2.5-50mm ² (14-1 AWG)	4.0 N•m (35LB-In)		
CH221DMS	-			•		1-pole + Microswitch	2				
CH221DNX	-			•		1 Neutral Pole	2				
CH221DN	-			•		1-pole + Neutral	4				
CH222D	-			•	†	2-pole	4				
CH223D	-			•	†	3-pole	6				
CH223DMS	-			•		3-pole + Microswitch	6				
CH223DN	-			•	†	3-pole + Neutral	8				
CH223DNMS	-			•		3-pole + Neutral + Microswitch	8				
CH224D	-			•		4-pole	8				
Class J easyID™ Indication	Neon Indication										
CH30J1	CH30J1I	CH30J	UL/CSA		††	1-pole	—	1-50mm ² (18-1 AWG)	1-8 AWG 4.0 N•m (35LB-In)		
CH30J2	CH30J2I	30A	600Vac		††	2-pole	—		10-18 AWG 2.7N•m (24LB-In)		
CH30J3	CH30J3I	Class J			††	3-pole	—				
CH60J1	CH60J1I	CH60J	UL/CSA		††	1-pole	—	1-50mm ² (18-1 AWG)	1-8 AWG 4.0 N•m (35LB-In)		
CH60J2	CH60J2I	60A	600Vac		††	2-pole	—		10-18 AWG 2.7N•m (24LB-In)		
CH60J3	CH60J3I	Class J			††	3-pole	—				

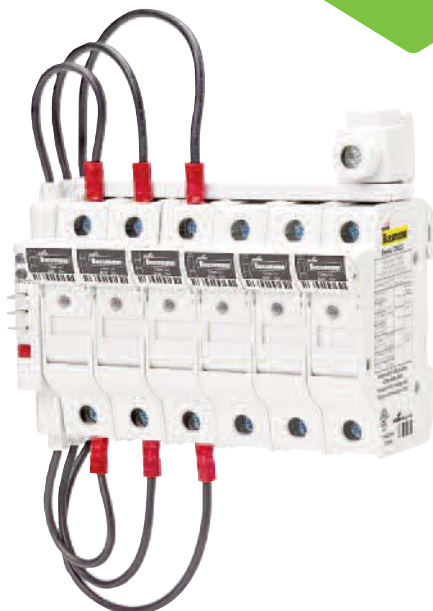
† UL Recognized (cURus) †† UL Listed (cULus) ††† UL Recognized, Standard 4248-18, CSA
 For further details see Data Sheets 2053 (CH08, CHM, CHCC, CH14 AND CH22) and 2144 (CHJ Class J)
 *90V minimum required for illumination
 ***12V minimum required for illumination

For additional information see reorder #3185

For product data sheets, visit www.cooperbussmann.com/DatasheetsEle

Global Modular Fuse Holders - Remote Fuse Monitoring Accessory CH-PLC

Make it Simple with Bussmann resettable three-phase remote fuse monitor that integrates with a Programmable Logic Controller (PLC) or other monitoring and control equipment.



Specifications:

- **Power Input:** 24Vdc / 5mA
- **Sensing Voltage:** 600V/30mA
- **Output Signals:** Digital 0Vdc (Low), 24Vdc (High)
 - 0Vdc Low – Fuse is good
 - 24Vdc High – Fuse has opened
 When the fuse opens, the output signal is sent high and will remain high until the unit is reset
- **Rated Impulse Voltage:** 8kV
- **Local Indication:** Two distinct LEDs indicate unit power (green) and open fuse (red). Upon the replacement of the fuse, the actuation of the reset switch will reset the open fuse LED
- **Flammability Rating:** UL 94V0

Wiring:

- For power, signal and ground connections use 22-24AWG (0.25mm²) 300V rated wire

Emissions and Immunity Testing:

- Electrostatic Discharge IEC 61000-4-2
- Electrical Fast Transient/Burst IEC 6100-4-4
- Surge Immunity IEC61000-4-5

Packaging:

- The CH-PLC is packaged individually
- A single unit monitors up to three phases
- Package includes 0.11" (2.8mm) quick connects for power, signal and ground connections

Minimum Circuit Voltage:

- Minimum circuit voltage required across the CH holder is 100Vac for the remote indication device to operate

Installation Technique:

- Mounts on the left side of the fuse holder and mechanically interlocks with the fuse holder switch handle with hardware provided

IP20 Rating: Yes

Environmental Data:

- Storage and Operating Temperature: -20°C to 75°C

Agency Information:

- UL 508
- cULus to CSA Standard 22.2 No.14

PLC Programming:

- The CH-PLC signal line is designed to provide a digital input to a PLC I/O card.
- Programmable Logic Control program must be written to properly interpret the input signal to the PLC.
- The PLC program should check for consecutive high signals before taking action on a critical process.

De-energize all circuits before installing or removing any CH-PLC devices and follow all prescribed safety procedures.

For additional information see reorder #3185

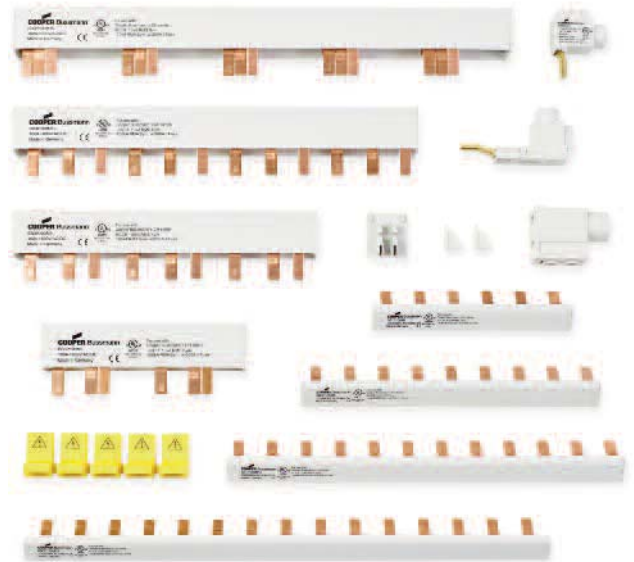
Global Modular Fuse Holders - Comb-Bus Bar Specifications and Selection Guide

Specifications

- Agency Information:** UL 508, File E195399
- Pitch:** 17.8mm
- SCCR:** 10kA (default)
100kA (with upstream Class J 200A fuses)
- Max Current:** 100A (power feed from end;
200A (power feed from center)
- Max Voltage:** 600Vac/dc (three phase)
1000Vdc/600Vac (single phase)

Features and Benefits

- Easily distribute power in single-phase or three-phase configurations
- Flexible cut-to-length solutions without compromising on the product's finger-safe features
- 100kA SCCR (Short-Circuit Current Rating) when protected by a 200A Class J fuse
- Single-phase bus bars rated to 1000Vdc and 100A in end-fed configuration (200A for center-fed configuration)
- Three-phase bus bars rated to 600Vac/dc and 100A in end-fed configuration (200A for center-fed configuration)
- Power feed terminals for single-phase and three-phase service



Selection Guide

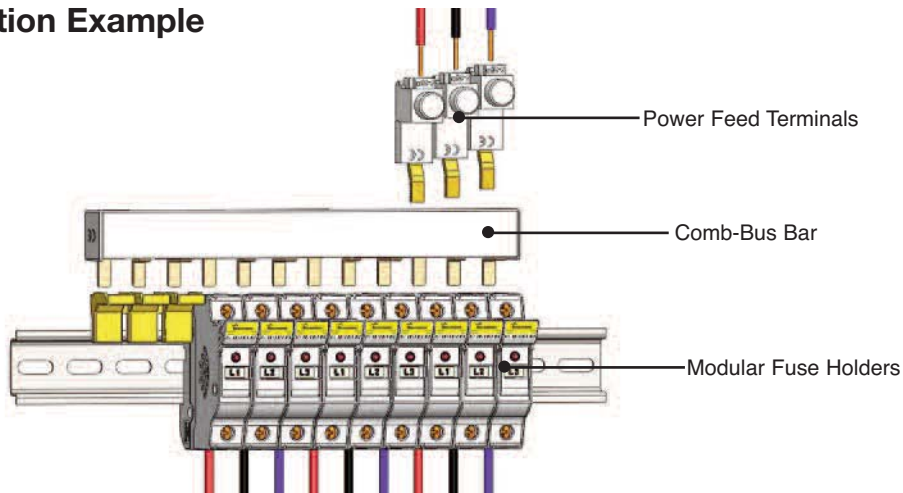
Part Number	Description
BB1P100M3	Single-phase 1000Vdc busbar, 100A, 3 pins, assembled endcap
BB1P100M6	Single-phase 1000Vdc busbar, 100A, 6 pins, assembled endcap
BB1P100M9	Single-phase 1000Vdc busbar, 100A, 9 pins, assembled endcap
BB1P100M12	Single-phase 1000Vdc busbar, 100A, 12 pins, assembled endcap
BB1P100M15	Single-phase 1000Vdc busbar, 100A, 15 pins, assembled endcap
BB1P100M57	Single-phase 1000Vdc cuttable busbar, 100A, 57 pins, without endcap
BB3P100M6	Three-phase 600V busbar, 100A, 6 pins, assembled endcap
BB3P100M9	Three-phase 600V busbar, 100A, 9 pins, assembled endcap
BB3P100M12	Three-phase 600V busbar, 100A, 12 pins, assembled endcap
BB3P100M15	Three-phase 600V busbar, 100A, 15 pins, assembled endcap
BB3P100M57	Three-phase 600V cuttable busbar, 100A, 57 pins, without endcap
ECAP1P	Single-phase busbar endcap
ECAPMP	Three-phase busbar endcap
PWR35MM	35mm ² feeder terminal for three-phase busbar (115A, 1000Vac/dc)
FSCVR	Spare contact safety protection covers
PWR1PLP	Single-phase low-profile feeder terminal (115A, 1000Vac/dc)
PWR50MM	50mm ² direct feed terminal (1000Vac/dc)

For additional information see reorder #3185

For product data sheets, visit www.cooperbussmann.com/DatasheetsEle

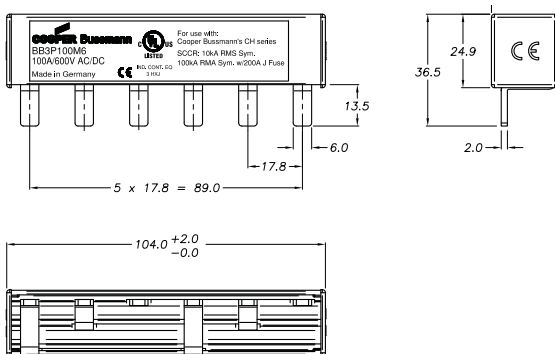
Global Modular Fuse Holders - Comb-Bus Bar Features and Installation Guide

Typical Installation Example

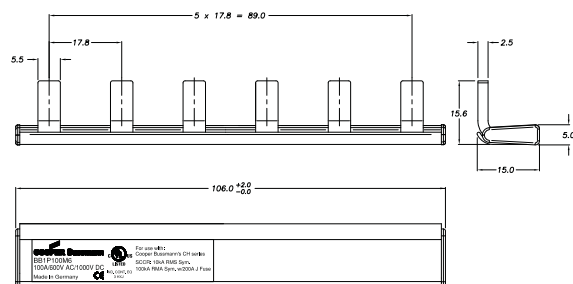


Typical Dimensional Data

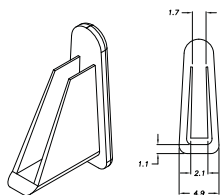
Three-phase



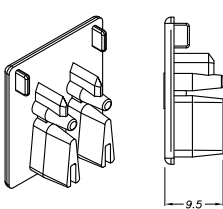
Single-phase



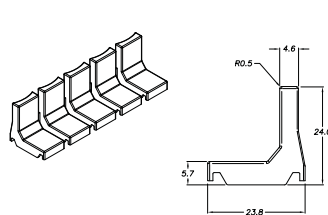
ECAP1P



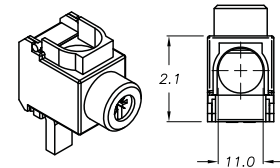
ECAPMP



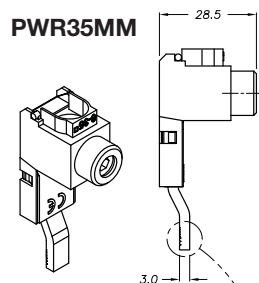
FSCVR



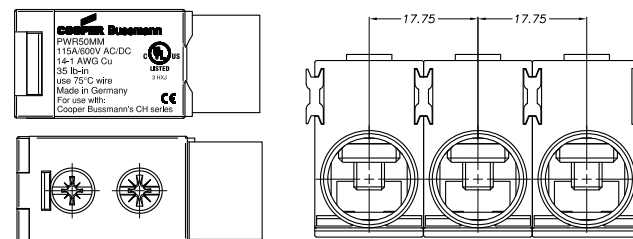
PWR1PLP



PWR35MM



PWR50MM



For additional information see reorder #3185

Class J Modular Fuse Holders

CH _ _ J _

Specifications

Description: IP20 finger-safe, 1- to 3-pole Class J fuse holder with DIN-Rail or panel mounting.

Ratings:

Volts: — 600Vac/dc (or less)

Amps: — 30A (30A version)

— 60A (60A version)

SCCR: — 200kA

Wire Range: Cu solid and stranded conductors with single (1-18AWG) and dual (3-18AWG) wire ratings. See Catalog Numbers table for details.

Torque Rating:10-18AWG 24 lb-in.
1-8AWG 35 lb-in.

Poles: 1-, 2- or 3-Pole.

Storage & Operating Temperature Range*:

-20°C to 75°C.

Agency Information: CE, UL 4248/CSA 22.2 No. 4248.P

UL Listed, Guide IZLT, File E14853.

Flammability Rating: UL 94V0.

Catalog Numbers

See Catalog Numbers table below.

Features and Benefits

- Choice of local fuse indication; *easyID™* viewing window (for seeing indicator on LPJ-SPI indicating fuse) or neon lamp.
- Versatile 1-, 2- and 3-pole versions for 0-30A and 35-60A fuses with dual wire rated connections simplify wiring.
- Improved electrical safety with IP20 finger-safe construction with lock-out/tag-out feature. 3-phase fuse extraction assures all phases are opened for service work.
- Flexible panel/35mm DIN-Rail mounting options

*For fuse selection on applications above or below 25°C, consult derating charts in Bussmann publication "Selecting Protective Devices" (SPD).



30 Amp Version

60 Amp Version

Dimensions (mm):

Fuse Size	Poles	W	D	H
0-30A	1	32	70	115
	2	64	70	115
	3	96	70	115
35-60A	1	40	83	125
	2	80	83	125
	3	120	83	125

Catalog Numbers

Catalog Numbers	# of Poles	Local Indication	Amp Rating	Volts (AC/DC)	IP20 Finger-Safe	AWG Single Wire Range	Padlockable	Mounting
CH30J1	1	<i>easyID</i> **	30	600	Yes	1-18	Yes	35mm DIN/ Panel
CH30J11	1	Neon Lamp***						
CH30J2	2	<i>easyID</i> **						
CH30J21	2	Neon Lamp***						
CH30J3	3	<i>easyID</i> **						
CH30J31	3	Neon Lamp***						
CH60J1	1	<i>easyID</i> **	60	600	Yes	Yes	35mm DIN/ Panel	
CH60J11	1	Neon Lamp***						
CH60J2	2	<i>easyID</i> **						
CH60J21	2	Neon Lamp***						
CH60J3	3	<i>easyID</i> **						
CH60J31	3	Neon Lamp***						

** *easyID™* viewing window, requires use of Bussmann LPJ_SPI permanent indication fuses.

*** Indication non-fuse dependent, minimum voltage 90Vac/115Vdc.

Data Sheet: 2144

Optima™ Fuse Holder Module and Disconnect Switch

OPM-1038 With Disconnect Switch



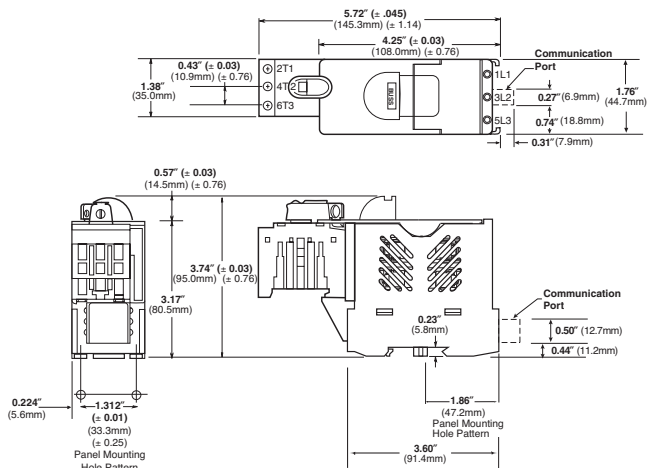
Features/Benefits

- Padlockable with finger-safe terminals for safety. Qualified as IP20 per IEC 60529.
- Cam-action handle for easy module removal, offered with Class CC rejection clips or European 10 x 38mm clips to meet global needs
- Wire ready with 35mm DIN-Rail or screw panel mounting (#8 screw, 1 1/4" long) saves installation time
- Fuse indication lights with option for remote fuse status available. See Data Sheet for additional wiring details.

Typical Applications

- Industrial Control
- Process Control Systems
- Automated Warehouse Systems
- Individual Control Circuits

Dimensions



Catalog Number Build-A-Code

Series	Fuse Type	Communication
O P M - 1 0 3 8	Blank S W	
	Blank = 10 x 38mm or 1 3/32" x 1 1/2"	C = Communication Feature
	R = Class CC	

Specifications

Description: 3-pole load break modular fuse holder and disconnect switch for 1 3/32 x 1 1/2" (10 x 38mm) fuses.

Dimensions: See Dimensions illustration.

Poles: 3

Agency Information: CE, UL (see table), CSA Certified, C22.2 No. 39, Class 6225-01, File 47235, IEC (see table).

Flammability Rating: UL 94V0.

Horsepower Rating of Switch

3-Phase	Volts	240	480	600
	HP	5	10	15

Recommended Fuse Types

Class CC	Midget (Non-Rejection)	European
LP-CC	KTK	C10M
KTK-R	FNM	C10G
FNQ-R	FNQ	

Physical Characteristics

- Small size matches 45mm IEC starter width
- Accepts #8-18 AWG stranded, #10-18 AWG solid wire
- 3-pole
- Handle and shaft required for through the door operation

Catalog Numbers

Catalog Numbers	Electrical Rating	SCCR** Rating	Clips	Remote Open Fuse Indication	UL Information Std.	File	Guide	IEC	CE
OPM-1038SW	30A, 600Vac UL/CSA	*	Non-rejection, 10x38mm or 1 3/32" x 1 1/2"	No	Recognized	E161278	NLRV2	IEC 60947-3	Yes
	32A, 660Vac IEC								
OPM-1038RSW	30A, 600Vac UL/CSA	100kA	Rejection, Class CC	No	Listed UL 508	E161278	NLRV		Yes
	30A, 600Vac UL/CSA								
OPM-1038SWC	30A, 600Vac UL/CSA	*	Non-rejection, 10x38mm or 1 3/32" x 1 1/2"	Yes	Recognized	E161278	NLRV2	IEC 60947-3	No
	32A, 660Vac IEC								
OPM-1038RSWC	30A, 600Vac UL/CSA	100kA	Rejection, Class CC	Yes	Listed UL 508	E161278	NLRV		No
	30A, 600Vac UL/CSA								

*Rating varies depending on fuse used in module; 100kA maximum

**Short-Circuit Current Rating

Data Sheet: 1103

Optima™ Fuse Holder Module

OPM-1038



Catalog Number Build-A-Code

Series

O P M - 1 0 3 8

Fuse Type

Blank

Blank = 10 x 38mm or 1 1/2" x 1 1/2"

R = Class CC

Communication

C

C = Communication Feature

Specifications

Description: 3-pole modular fuse holder for 1 1/2" x 1 1/2" (10 x 38mm) fuses.

Dimensions: See Dimensions illustration.

Poles: 3

Agency Information: CE, UL (see table), CSA Certified, C22.2 No. 4248, Class 6225-01, File 47235, IEC (see table).

Flammability Rating: UL 94V0.

Recommended Fuse Types

Class CC	Midget (Non-Rejection)	European
LP-CC	KTK	C10M
KTK-R	FNM	C10G
FNQ-R	FNQ	

Physical Characteristics

- Small size matches 45mm IEC starter width
- Accepts #8-18 AWG stranded, #10-18 AWG solid wire
- 3-pole

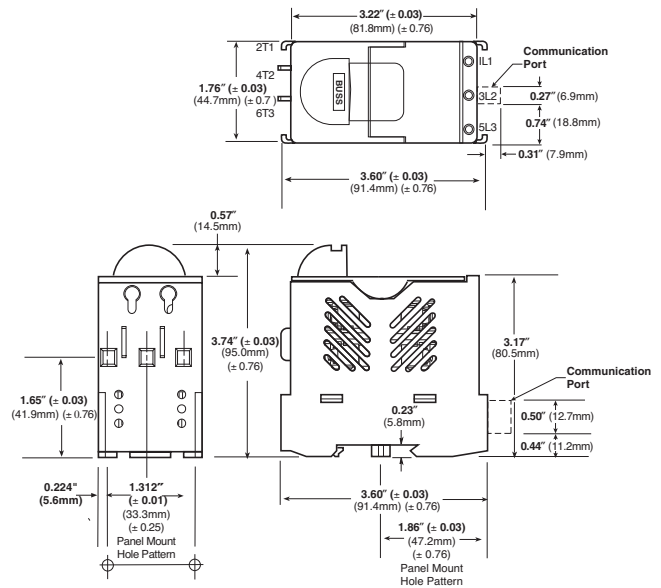
Features/Benefits

- Padlockable with finger-safe terminals for safety. Qualified as IP20 per IEC 529.
- Cam-action handle for easy module removal.
- Offered with Class CC rejection clips or European 10 x 38mm clips to meet global needs
- Wire ready with 35mm DIN-Rail or screw panel mounting (#8 screw, 1 1/4" long) saves installation time
- Fuse indication lights with option for remote fuse status indication. See Data Sheet for additional wiring details.

Typical Applications

- Industrial Control
- Process Control Systems
- Automated Warehouse Systems
- Individual Control Circuits

Dimensions



Catalog Numbers

Catalog Numbers	Electrical Rating	SCCR** Rating	Clips	Remote Open Fuse Indication	UL Information Std.	File	Guide	IEC	CE
OPM-1038	30A, 600Vac/dc UL/CSA (Max 3 Watts per fuse) 32A, 660V IEC	*	Non-rejection, 10 x 38mm or 1 1/2" x 1 1/2"	No	Recognized UL 4248	E14853	IZLT2	IEC 60269-2-1	Yes
OPM-1038R	30A, 600Vac/dc UL/CSA	200kA	Rejection, Class CC	No	Listed UL 4248	E14853	IZLT		Yes
OPM-1038C	30A, 600Vac/dc UL/CSA (Max 3 Watts per fuse) 32A, 660V IEC	*	Non-rejection, 10 x 38mm or 1 1/2" x 1 1/2"	Yes	Recognized UL 4248	E14853	IZLT2	IEC 60269-2-1	No
OPM-1038RC	30A, 600Vac/dc UL/CSA	200kA	Rejection, Class CC	Yes	Listed UL 4248	E14853	IZLT		No

*Rating varies depending on fuse used in module; 200kA maximum.

**Short-Circuit Current Rating

Data Sheet: 1102

Optima™ Three-pole Overcurrent Protection Module

OPM-NG-



Specifications

Description:

OPM-NG-SC3: 3-pole Class CC fuse holder for use with Class CC fuses (Bussmann Types LP-CC, FNQ-R, KTK-R).

OPM-NG-SM3: 3-pole fuse holder for use with 1½" x 1½" and 10.3 x 38mm fuses (Bussmann Types: 1½" x 1½"; KTK, FNQ, KLM, 10 x 38mm; FWA, FWC, C10G_ , C10M_).

Ratings:

- Volts: — OPM-NG-SC3: 600Vac (or less)
 — OPM-NG-SM3: 600Vac (or less) UL and CSA 30A
 — OPM-NG-SM3: 690Vac (or less) IEC 32A
- Amps: — OPM-NG-SC3: 0-30A
 — OPM-NG-SM3: 0-30A
- SCCR: — OPM-NG-SC3: 200kA
 — OPM-NG-SM3: Same as fuse IR, 200kA maximum

Agency Information: CE, UL; OPM-NG-SC3 UL Listed, UL 4248, File E14853, Guide IZLT. OPM-NG-SM3, UL Recognized, UL 4248, File E14853, Guide IZLT2. CSA Certified, C22.2 No. 4248, Class 6225-01, File 47235. IEC 60947-3 Utilization Category AC20B.

Handling & Storage Temperature: -10° to 65°C.

Features/Benefits

- 45mm width matches IEC starters
- 35mm DIN-Rail or panel mounting feature. Maximum screw size #8 (M4)
- Pressure plate terminations with dual-wire rated terminals (see Wire Table) and optional auxiliary contacts
- Integrated collapsible handle and fuse carrier cannot be removed from holder base
- Padlockable and IP20 finger-safe to IEC60529

Typical Applications

- Mass Produced Control Systems
- Process Control Systems
- Automated Warehouse Systems
- Individual Control Circuits

Fuse Holder Wire Range:

- 75°Cu Only
- #18-12 Single/Dual, torque 15lb-in
- #10-8 Single/Dual, torque 20lb-in
- Dual wire with same gauge and type

		75° Cu Only		C
		AWG	[mm ²]	
Solid		#18-8 x 1	1-6 x 1	18-12 Single/Dual
		#18-8 x 2	1-6 x 2	15lb-in (1.7 N·m)
Stranded		#18-8 x 1	1-6 x 1	10-8 Single/Dual
		#18-8 x 2	1-6 x 2	
Ferrules			1-4 x 1	20lb-in (2.5 N·m)
			1-4 x 2	

Input Power Terminal Wire Range:

Wiring	Solid Conductor	(1) #14 to #2 (1.5 to 25mm ²) conductor or (2) #14 to #6 (1.5 to 10mm ²) conductors
	Stranded Conductor	(1) #14 to #2 (1.5 to 25mm ²) conductor or (2) #12 to #6 (2.5 to 10mm ²) conductors
Tightening Torque:	Connector	20lb-in (2.2 N·m)
	Screw Clamp	15lb-in (1.7 N·m)

Materials:

- **Housing:** Thermoplastic - ULV2
- **Clip:** Tin-plated copper alloy
- **Contact lubricant:** Fluoroether grease
- **Saddle screw:** Plated steel
- **DIN rail springs:** Stainless steel

Optional Accessories:

Comb Bar (Max current rating = 63A)

GV2G245A46	2 circuit, 45mm between same phases
GV2G254A46	2 circuit, 54mm between same phases
GV2G272A46	2 circuit, 72mm between same phases
GV2G345A46	3 circuit, 45mm between same phases
GV2G354A46	3 circuit, 54mm between same phases
GV2G445A46	4 circuit, 45mm between same phases
GV2G454A46	4 circuit, 54mm between same phases
GV2G472A46	4 circuit, 72mm between same phases
GV2G554A46	5 circuit, 54mm between same phases

Input Terminal Block (Max current rating = 63A)

GV2G05	Input/Feed Through Power Terminal, Supports feed through to another system, DIN-Rail mount only
GVG09	Input Power Terminal

Cover

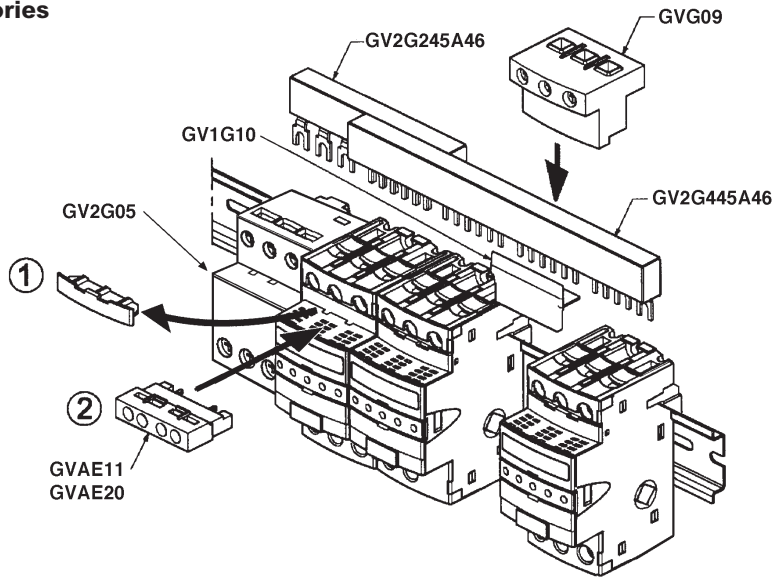
GV1G10	Protective Cover for unused terminals on comb bar
--------	---

Auxiliary Contacts

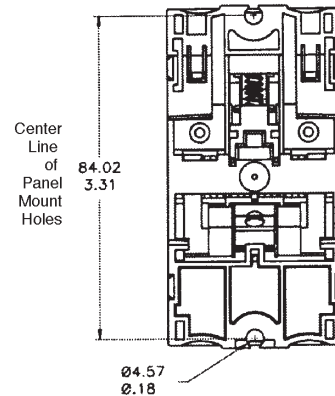
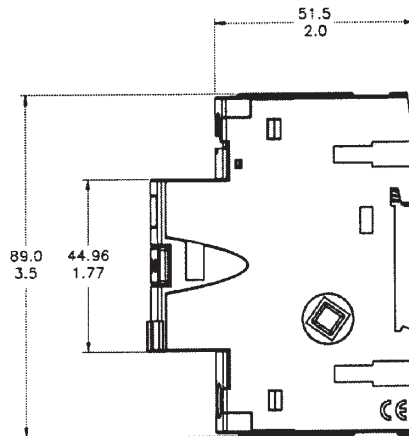
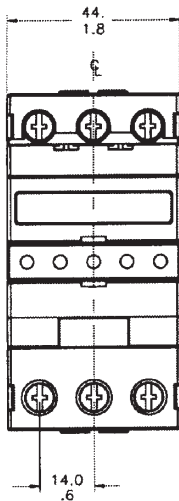
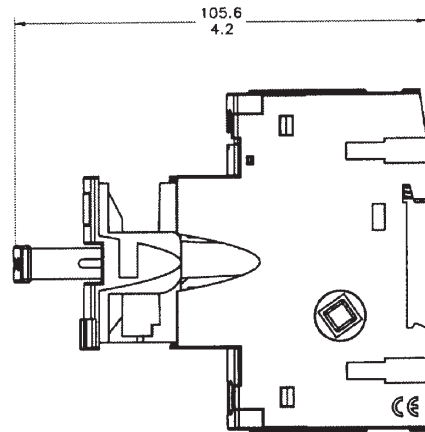
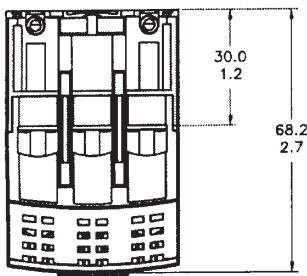
GVAE11	NO/NC
GVAE20	NO/NO

Optima™ Three-pole Overcurrent Protection Module

Optional Accessories



Dimensions - mm (± 0.38) / in (± .015)



Class J (Finger-safe) Fuse Holders

Safety J™ — JT(N)60030 & JT(N)60060

Specifications

Description: Indicating and non-indicating finger-safe, DIN-Rail mount fuse holders for use with Class J fuses - (Bussmann LPJ, JKS).

Dimensions: See Dimensions illustrations.

Ratings:

Volts: — 600Vac

Amps: — 0-60A (JT(N)60060)

— 0-30A (JT(N)60030)

SCCR: — 200kA RMS Sym.

— 300kA self certified using Bussmann LPJ_SP fuses

Agency Information: CE, Listed to UL 4248: Guide IZLT, File 14853, CSA Certified: Class 6225-01, File 47235. IP20 per IEC 60529.

Flammability Rating: UL 94V0.

Indication: Min voltage: 90Vac, 115Vdc; neon lamp “ON” when fuse opens, voltage source and current path are present.

Terminations: 30A dual port torque 20lb-in, 60A single port torque 45lb-in, terminal construction, tin-plated copper alloy.

Wire Size: JT(N)60030 - rated for 75°C, AWG#18-#8; Cu only, JT(N)60060 - rated for 75°C, AWG#14-#4; Cu only.

(Note: For JT(N)60030 use both stranded or solid, in a variety of dual wire combinations of same wire size and type.)

Features and Benefits

- Short-Circuit Current Rating of 300kA with Bussmann LPJ_SP fuses.
- Rapid, flexible 35 mm DIN-Rail mounting.
- One piece interlocking design for assembling multiple pole blocks reduces inventory costs.
- Removable fuse carrier allows fuse replacement away from base while maintaining finger-safe rating.

Typical Applications

- Industrial Controls
- Process Controls
- Small HP VFDs

Catalog Numbers

Catalog Numbers	Amps	Indication
JT60030	30	Non-indicating
JT60060	60	Non-indicating
JTN60030	30	Indicating (Neon)
JTN60060	60	Indicating (Neon)



30 Amp Version

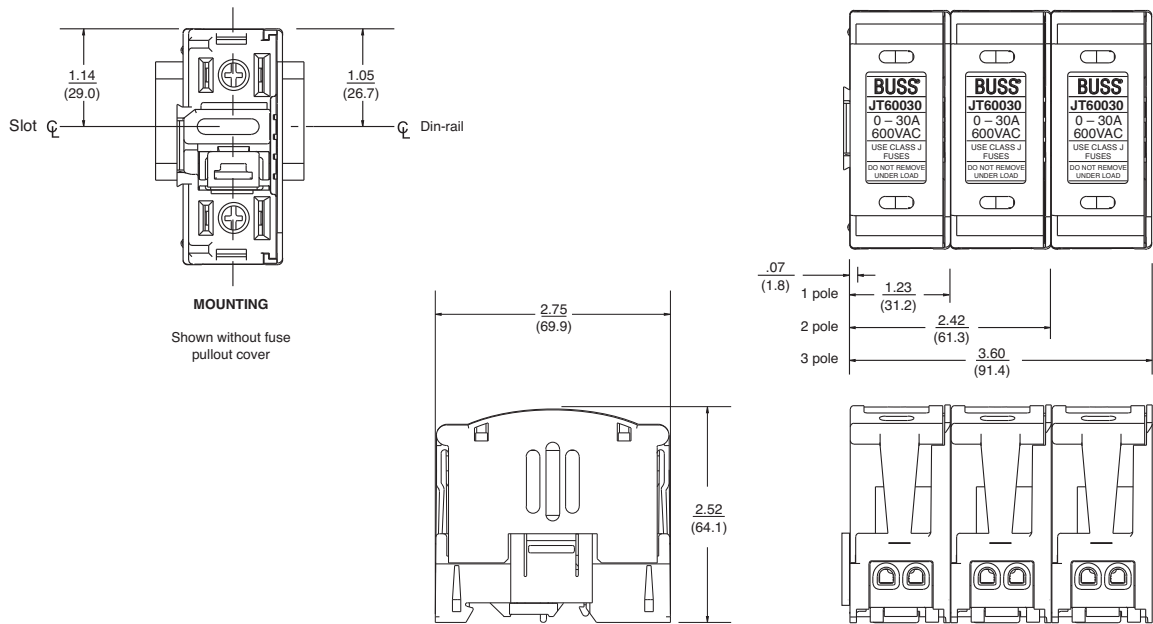


60 Amp Version

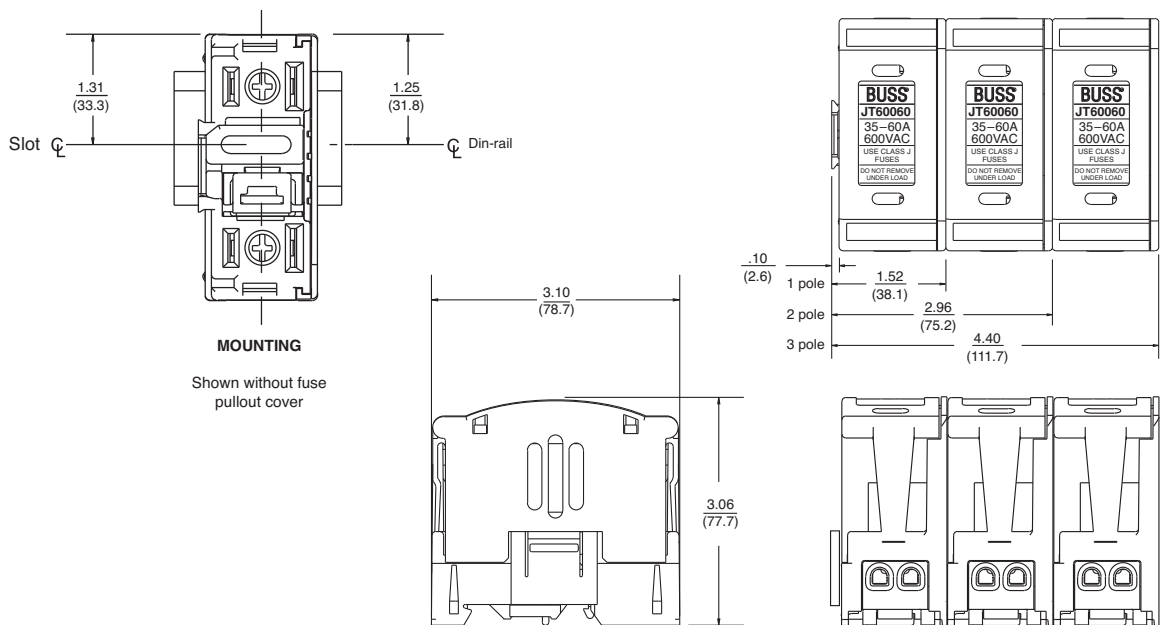
Data Sheet: 1152

Class J (Finger-safe) Fuse Holders

Dimensions for JT60030 & JTN60030 — in (mm)



Dimensions for JT60060 & JTN60060 — in (mm)



JT(N)600 Series fuse blocks can be dovetailed together within the same current rating to provide multiple pole block configurations.

NOTE: JT(N)60030 cannot be dovetailed to JT(N)60060.

Data Sheet: 1152

SAMI™ Fuse Covers

SAMI™ Series



Specifications

Description: Indicating and non-indicating fuse covers for Class J, RK1, RK5, H, K5, CC, G (0-30A) and midget-type fuses. Indicating feature requires a minimum of 90Vac or 115Vdc to illuminate lamp. One cover required for each pole.

WARNING: To avoid electrical shock, turn power off before installing, removing or servicing.

Dimensions: See Dimensions illustration.

Ratings:

Volts: — Non-Indicating - 0-600Vac/dc
 — Indicating - 90 to 600Vac
 -115 to 600Vdc

Amps: — 0-100A

Agency Information: CE, UL Listed; SAMI-1I through SAMI-6I, SAMI-8I and SAMI-9I, SAMI-1N through SAMI-6N, SAMI-8N and SAMI-9N, UL Recognized; Guide JDVS2, File E58836, SAMI-7I and SAMI-7N, CSA Certified, File LR47235-93C.

Catalog Numbers

Catalog Numbers*	Description	Dimensions - in		
		A	B	C
SAMI-1_	600V, J (0-30A) and 600V, T (35-60A)** 250V, RK, K5, H (35-60A)	5.02	1.03	1.94
SAMI-2_	600V, RK, K5, H (0-30A)	7.03	1.30	2.07
SAMI-3_	600V, J (65-100A)	7.03	1.30	2.33
SAMI-4_	250V, RK, K5, H (65-100A)	8.20	1.30	2.18
SAMI-5_	600V, RK, K5, H (35-60A)	8.20	1.30	2.18
SAMI-6_	600V, J (35-60A)	4.98	1.17	2.14
SAMI-7_	600V, Midget, Class CC, G (0-30A)	3.82	0.75	1.72
SAMI-8†_	600V, RK††, K5, H (65-100A)	10.38	1.50	2.33
SAMI-9_	250V, RK, K5, H (0-30A) and 600V, T (0-30A)	3.82	0.75	1.72

*For indicating cover, add suffix "I", for non-indicating cover, add suffix "N".

Example: SAMI-7I = Indicating, SAMI-7N = Non-indicating.

**Available in non-indicating only.

†SAMI-8A adapter available for small Fusetron™ body design. SAMI-8I and SAMI-8N come standard with adapter (SAMI-8A).

††Not for use with KTS-R fuses.

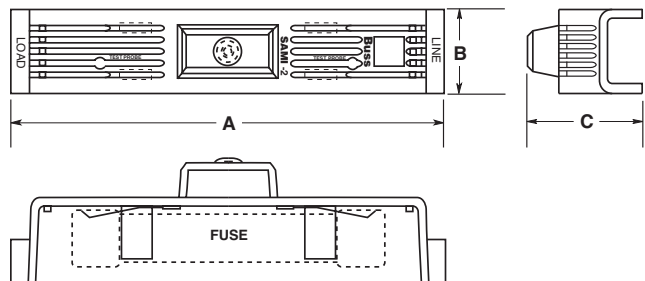
Features and Benefits

- Insulated cover allows field conversion of fuses mounted in open fuse blocks to dead front configuration.
- Optional open fuse indicating light aids in system troubleshooting.
- Units are re-usable.
- Allows visual marking of line and load side of fuses.

Typical Applications

- Class H, R and J fuse blocks up to 100A
- Class T fuse blocks up to 60A
- Class CC, G and Midget, 30A fuse blocks

Dimensions



Modular Knifeblade Fuse Blocks

Class R, H(K), & J Applications up to 600 Amps

Specifications

Ratings:

Volts: — 250V, 600V
 Amps: — 70-600A
 SCCR: — 200kA (Class R & J)
 10kA (Class H & K)

Agency Information:

Blocks: UL - Listed cULus
 E14853 – IZLT & IZLT7
 CSA - Certified 47235 –
 6225-01

Covers: UL - Listed UL
 E58836 – JDVS2
 CSA - Certified 47235 –
 6225-01

Flammability Ratings:

Blocks: UL 94V0, self-extinguishing
Covers: UL 94HB, self-extinguishing

Operating & Storage Temperature Range:

Blocks -40°C to 120°C
Covers non-indicating covers -40°C to 120°C
 indicating covers -20°C to 90°C

Materials:

Base – Thermoplastic
 Box Lug – Tin-plated aluminum

Wire:*

Cu/Al – 75°C/90°C (100 - 200A)
 Cu/Al – 75°C only (400 - 600A)

*Higher temperature rated wire can be used with appropriate derating.



Features and Benefits

- Integral dovetails allow snapping together multiple poles at point-of-use for greater application flexibility
- Factory assembled two- and three-pole configurations available
- Up to four mounting holes per pole increase installation flexibility
- Standard phase barriers between poles for additional safety
- Design meets UL creep and clearance requirements for Industrial Control Circuits (UL 508 and UL 845)
- 200 to 600A blocks meet the higher UL creep and clearance requirements for Industrial Power Distribution Standards (UL 98, UL 69, UL 489, UL 891 and UL 869A)
- Optional IP20 finger-safe covers available on entire knifeblade fuse block product line:
 - High-clarity see-through covers allow for inspecting wire terminations or thermography measurements without removing cover
 - Probe holes included for easy, safer testing and troubleshooting
 - Built-in lockout/tagout feature improves safety
- Standard fuse clip reinforcing springs enhance electrical contact

Typical Applications

- Critical power, factory automation, renewable energy, HVAC, building/elevator controls, building entrance, process industries



Scan this tag to get the latest product information for the Modular Knifeblade Fuse Blocks.

Modular Knifeblade Fuse Blocks Part Number Table



250V Class R & H(K)



600V Class R & H(K)



Class J

Catalog Number		Covers*		Volts	Fuse Range (amps)	Number of Poles	Wire Range (solid and stranded)**	Wire Range (fine stranded Cu)	Torque N•m (Lb-in)	Cooper Bussmann Fuses			
Class H(K)	Class R	w/o Indication	w/ Indication										
HM25100-1CR	RM25100-1CR	CVR-RH-25100	CVRI-RH-25100	250	70-100	1	-	1-3 AWG	6.2 (55)	Class H(K): NON			
HM25100-2CR	RM25100-2CR					2	1/0-3 AWG; (2) Cu 4-6 AWG	4-6 AWG	5.6 (50)				
HM25100-3CR	RM25100-3CR					3	4-6 AWG; (2) Cu 8 AWG	8 AWG	4.5 (40)				
HM25200-1CR	RM25200-1CR	CVR-RH-25200	CVRI-RH-25200		110-200	1	250 MCM-1 AWG	3/0-1 AWG	42 (375)		Class R: LPN-RK_SP PN-RK_SPI**		
HM25200-2CR	RM25200-2CR					2	8 AWG; (2) Cu 10-14 AWG	-	31 (275)				
HM25200-3CR	RM25200-3CR					3	Cu 10-14 AWG; Al 10-12 AWG	-	4.0 (35)				
HM25400-1CR	RM25400-1CR	CVR-RH-25400	CVRI-RH-25400		250	225-400	1	600kcmil	N/A			57 (500)	FRN-R KTN-R
HM25400-2CR	RM25400-2CR						2	500kcmil-4 AWG				51 (450)	
HM25400-3CR	RM25400-3CR						3	(2) Cu 3/0 - 4 AWG				57 (500)	
HM25600-1CR	RM25600-1CR	CVR-RH-25600	CVRI-RH-25600	450-600		1	(2) Al 3/0 - 4 AWG	N/A	34 (300)	FRN-R KTN-R			
HM25600-2CR	RM25600-2CR					2	(2) 500kcmil-4 AWG		51 (450)				
HM25600-3CR	RM25600-3CR					3	(2) 500kcmil-4 AWG		51 (450)				
HM60100-1CR	RM60100-1CR	CVR-RH-60100	CVRI-RH-60100	600		70-100	1	-	1-3 AWG		6.2 (55)	Class H(K): NOS	
HM60100-2CR	RM60100-2CR						2	1/0-3 AWG; (2) Cu 4-6 AWG	4-6 AWG		5.6 (50)		
HM60100-3CR	RM60100-3CR						3	4-6 AWG; (2) Cu 8 AWG	8 AWG		4.5 (40)		
HM60200-1CR	RM60200-1CR	CVR-RH-60200	CVRI-RH-60200		110-200	1	8 AWG; (2) Cu 10-14 AWG	-	4.0 (35)		Class R: LPS-RK_SP PS-RK_SPI**		
HM60200-2CR	RM60200-2CR					2	250 MCM-1 AWG	3/0-1 AWG	42 (375)				
HM60200-3CR	RM60200-3CR					3	2-6 AWG; (2) Cu 2-6 AWG	2-6 AWG	31 (275)				
HM60400-1CR	RM60400-1CR	CVR-RH-60400	CVRI-RH-60400		600	225-400	1	600kcmil	N/A	57 (500)			FRS-R KTS-R KWS-R PVS-R
HM60400-2CR	RM60400-2CR						2	500kcmil-4 AWG		51 (450)			
HM60400-3CR	RM60400-3CR						3	(2) Cu 3/0 - 4 AWG		57 (500)			
HM60600-1CR	RM60600-1CR	CVR-RH-60600	CVRI-RH-60600	450-600		1	(2) Al 3/0 - 4 AWG	N/A	34 (300)	FRS-R KTS-R KWS-R PVS-R			
HM60600-2CR	RM60600-2CR					2	(2) 500kcmil-4 AWG		51 (450)				
HM60600-3CR	RM60600-3CR					3	(2) 500kcmil-4 AWG		51 (450)				

Catalog Number	Covers*		Volts	Fuse Range (amps)	Number of Poles	Wire Range (solid and stranded)	Wire Range (fine stranded)	Torque N•m (Lb-in)	Cooper Bussmann Fuses		
Class J	w/o Indication	w/ Indication									
JM60100-1CR	CVR-J-60100	CVRI-J-60100	600	70-100	1	-	1-3 AWG	6.2 (55)	LPJ_SP PJ_SPI** JKS DFJ		
JM60100-2CR					2	1/0-3 AWG; (2) Cu 4-6 AWG	4-6 AWG	5.6 (50)			
JM60100-3CR					3	4-6 AWG; (2) Cu 8 AWG	8 AWG	4.5 (40)			
JM60200-1CR	CVR-J-60200	CVRI-J-60200		110-200	1	8 AWG; (2) Cu 10-14 AWG	-	4.0 (35)			
JM60200-2CR					2	250 MCM-1 AWG	3/0-1 AWG	42 (375)			
JM60200-3CR					3	2-6 AWG; (2) Cu 2-6 AWG	2-6 AWG	31 (275)			
JM60400-1CR	CVR-J-60400	CVRI-J-60400		600	225-400	1	600kcmil	N/A		57 (500)	LPJ_SP PJ_SPI** JKS DFJ
JM60400-2CR						2	500kcmil-4 AWG			51 (450)	
JM60400-3CR						3	(2) Cu 3/0 - 4 AWG			57 (500)	
JM60600-1CR	CVR-J-60600	CVRI-J-60600	450-600		1	(2) Al 3/0 - 4 AWG	N/A	34 (300)	LPJ_SP PJ_SPI** JKS DFJ		
JM60600-2CR					2	(2) 500kcmil-4 AWG		51 (450)			
JM60600-3CR					3	(2) 500kcmil-4 AWG		51 (450)			

*Covers sold separately. Blown fuse indication requires 90 volts minimum and closed circuit to operate.

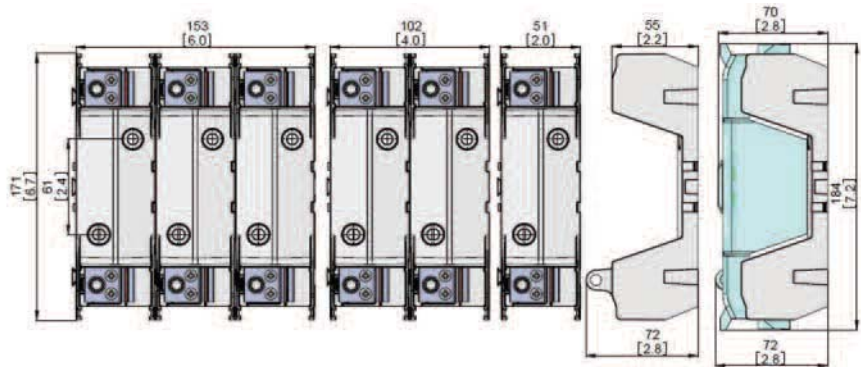
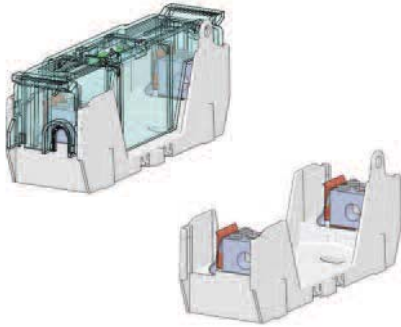
**With *easyID™* blown fuse indication.

***Ratings for copper and aluminum wire except where otherwise noted.

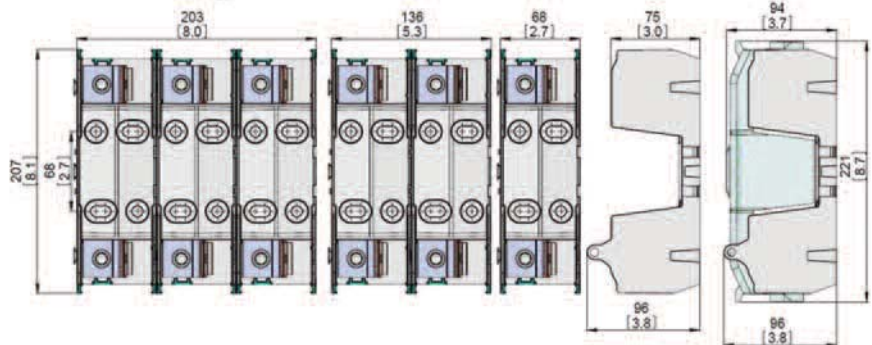
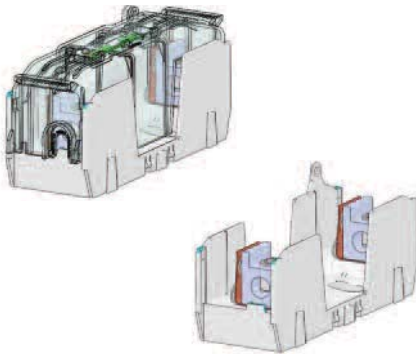
250V Class R & H(K) Dimensional Specifications

Dimensions - mm (in)

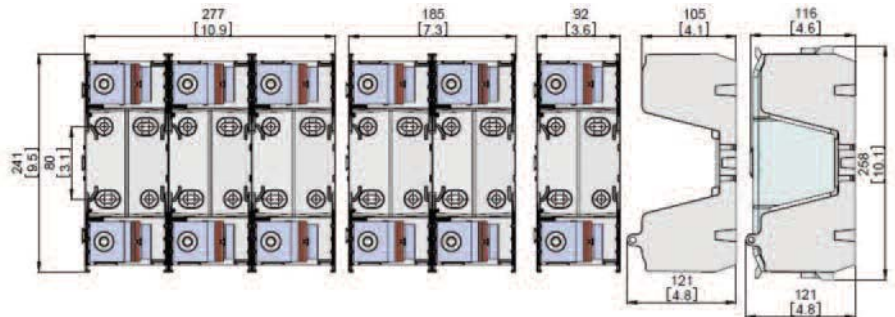
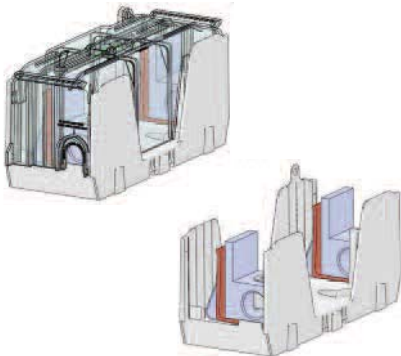
70-100A



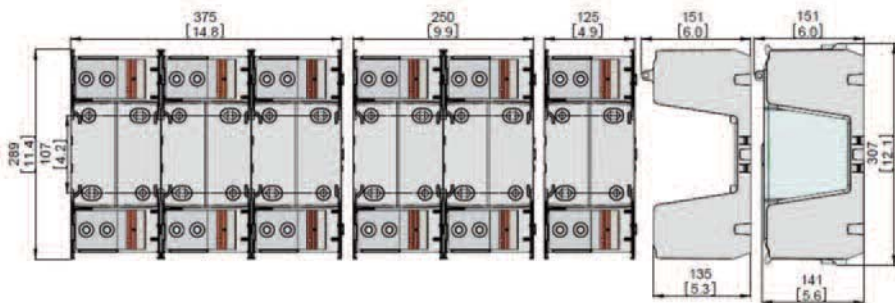
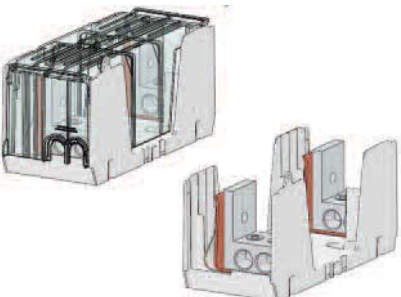
110-200A



225-400A



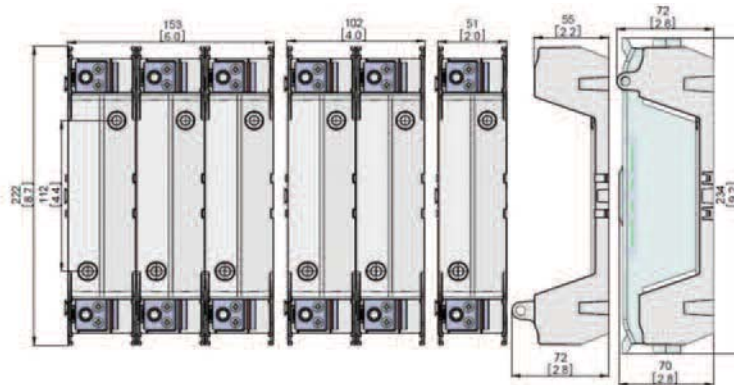
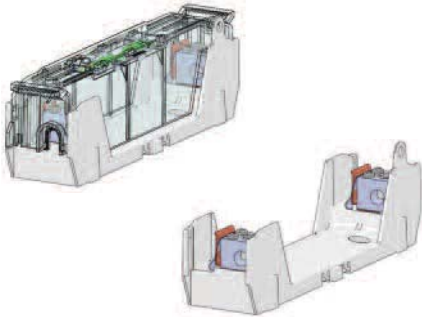
450-600A



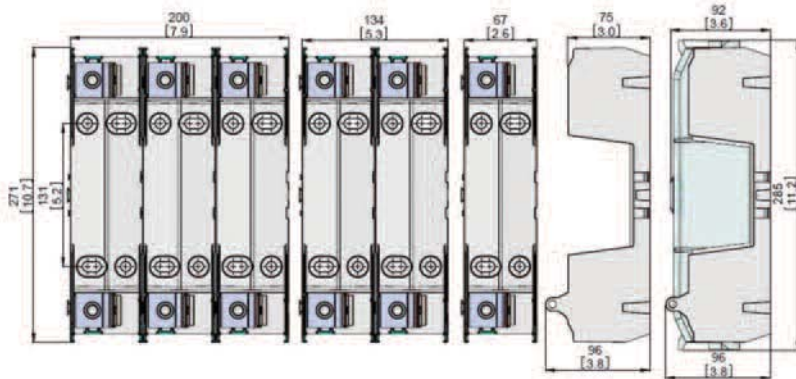
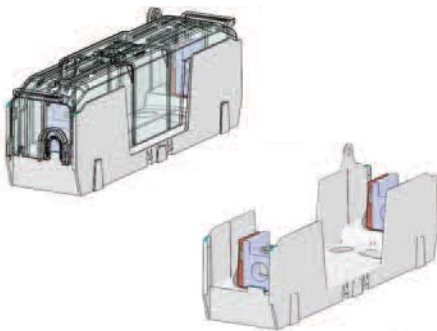
600V Class R & H(K) Dimensional Specifications

Dimensions - mm (in)

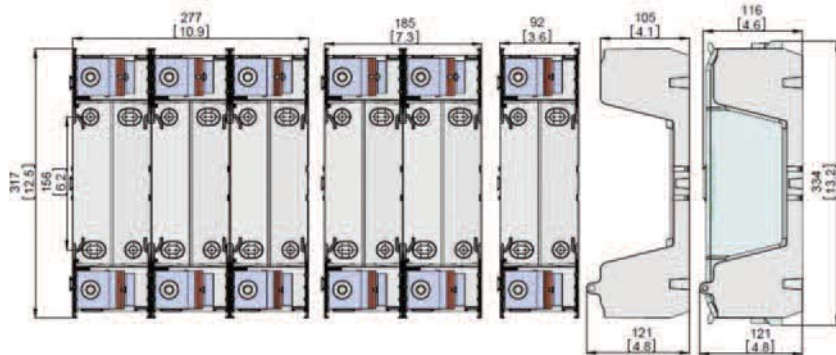
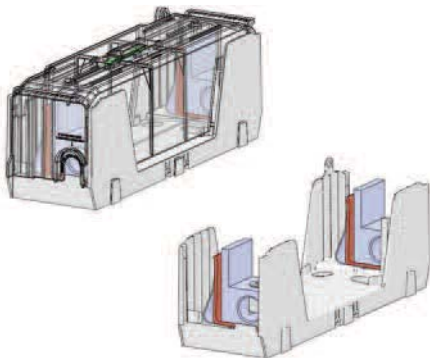
70-100A



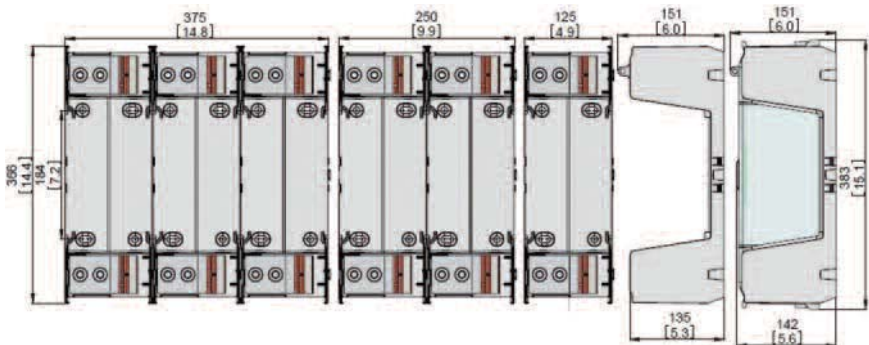
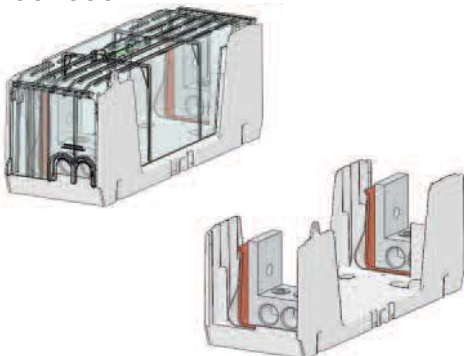
110-200A



225-400A



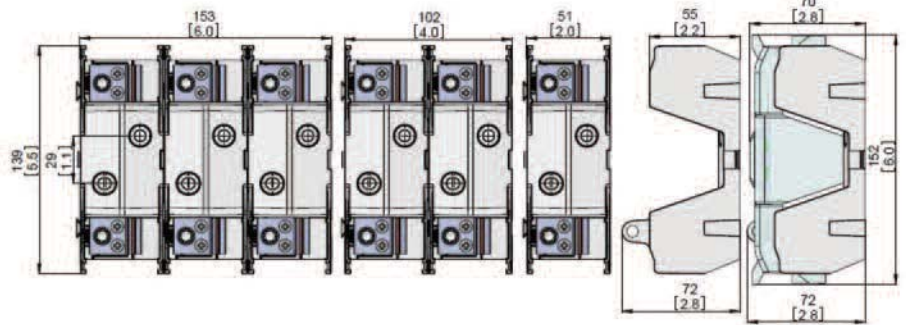
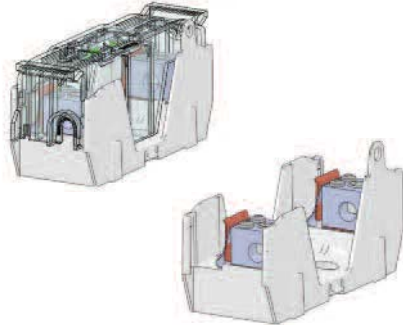
450-600A



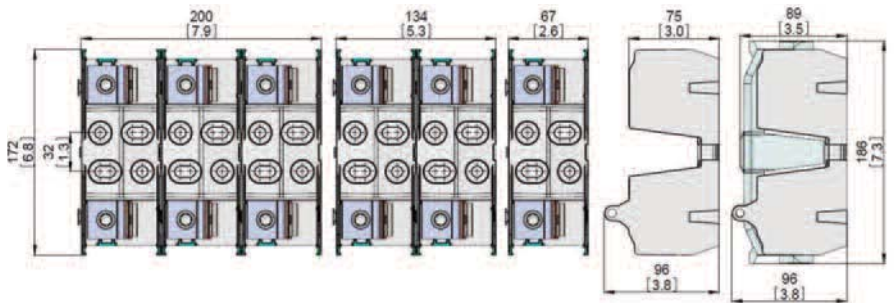
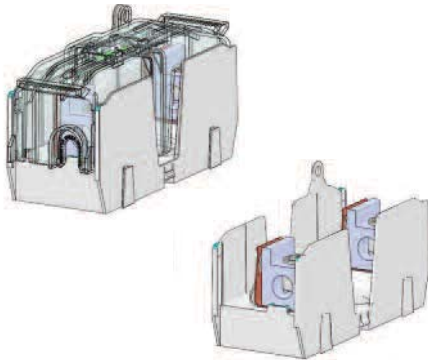
Class J Dimensional Specifications

Dimensions - mm (in)

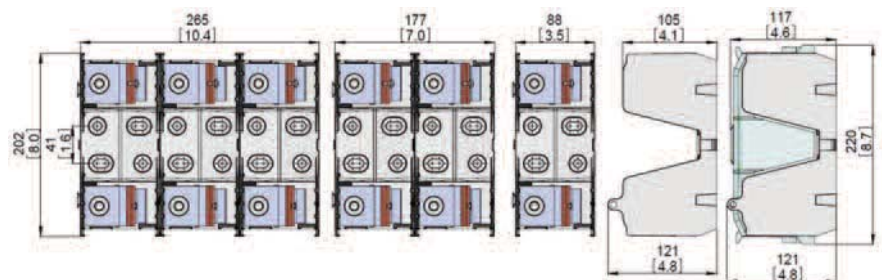
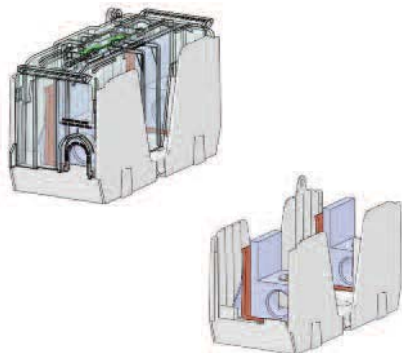
70-100A



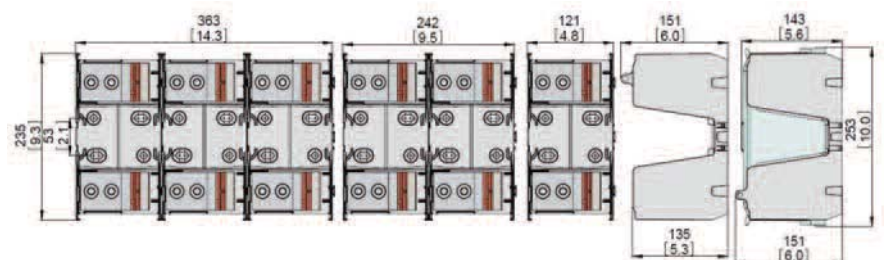
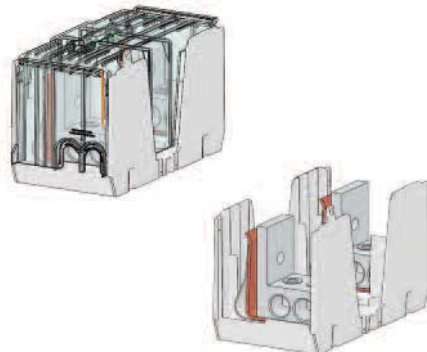
110-200A



225-400A



450-600A



Class H(K) and R Fuse Blocks – 250V

H250 & R250 Series

Specifications

Descriptions:

H250 Series: 1-, 2- and 3-pole fuse blocks for use with Class H fuses.

R250 Series: 1-, 2- and 3-pole fuse blocks for use with Class R fuses (Bussmann LPN-RK and FRN-R and KTN-R fuses).

Dimensions: See Dimensions illustrations.

Ratings:

Volts: — 250Vac/dc (H250 & R250 Series)

Amps: — 1/10-100A

SCCR: — H250 Series; 10kA RMS Sym.

— R250 Series; 200kA RMS Sym.



Agency Information: CE, UL Listed UL 4248, Guide IZLT, File E14853; CSA Certified, Class 6225-01, File 47235.

Flammability Rating: UL 94V0.

Features and Benefits

- H250 fuse blocks provide one, two and three pole housing for Class H, K and R fuses at 250Vac.
- H250 fuse blocks are listed with a Short-Circuit Current Rating of 10kA RMS Sym.
- R250 fuse blocks provide 1-, 2- and 3-pole housing for Class R fuses at 250Vac.
- R250 fuse blocks are listed with a Short-Circuit Current Rating of 200kA RMS Sym.

Typical Applications

- 250Vac/dc or less Control Systems
- 250Vac/dc or less Industrial Control
- 250Vac/dc or less Industrial Control Circuits

Recommended DIN-Rail adapters for the 1/10-30A series

- see page 509.

Class H Fuseblocks (250V) Catalog Data (for NON and REN Fuses)

Amps	Poles	Terminal Type (Suffix No.)										Figure Number	Wire Range
		Screw					Box Lug w/						
		Catalog Number	—	Clip with Reinforced Spring	Pressure Plate	Pressure Plate & Clip with Reinforced Spring	—	Clip with Reinforced Spring	Copper Only	0.25" Quick Connect			
1/10 to 30	1	H25030-1	S	SR	P	PR	C	CR	—	Q	1	C, CR #2-14 Cu, #2-12 Al P, PR #10-18 Cu Only Q N/A S, SR #10-18 Cu Only	
	2	H25030-2	S	SR	P	PR	C	CR	—	—	2		
	3	H25030-3	S	SR	P	PR	C	CR	—	—	3		
31 to 60	1	H25060-1	—	—	—	—	C	CR	CO	—	4	C, CR #2-14 Cu, #2-8 Al CO #2-14 Cu Only	
	2	H25060-2	—	—	—	—	C	CR	CO	—	5		
	3	H25060-3	—	—	—	—	C	CR	CO	—	6		
61 to 100	1	H25100-1	—	SR	—	—	—	CR	—	—	7	CR #1/0-8 Cu/Al SR #8W/ Ring Terminal	
	2	H25100-2	—	SR	—	—	—	CR	—	—	8		
	3	H25100-3	—	SR	—	—	—	CR	—	—	9		

Class H(K) and R Fuse Blocks – 250V

Class R Fuseblocks (250V) Catalog Data (for LPN-RK, FRN-R and KTN-R Fuses)

Amps	Poles	Catalog Number	Terminal Type (Suffix No.)					Fig. No.	Wire Range
			Screw w/		Box Lug w/		0.25" Quick-Connect		
			—	Pres. Plate	—	Clip Cu Only			
1/2 to 30	1	R25030-1	SR	PR	CR	COR	QR*	1	COR #6-14 Cu Only
	2	R25030-2	SR	PR	CR	COR	—	2	CR #2-14 Cu, #2-12 Al
	3	R25030-3	SR	PR	CR	COR	—	3	PR #10-18 Cu Only QR N/A SR #10-18 Cu Only
31 to 60	1	R25060-1	—	—	CR	—	—	4	CR #2-14 Cu, #2-8 Al
	2	R25060-2	—	—	CR	—	—	5	
	3	R25060-3	—	—	CR	—	—	6	
61 to 100	1	R25100-1	—	—	CR	—	—	7	CR 1/0-8 Cu/Al
	2	R25100-2	—	—	CR	—	—	8	
	3	R25100-3	—	—	CR	—	—	9	

Dimensions - in 250V 1/2 to 30A

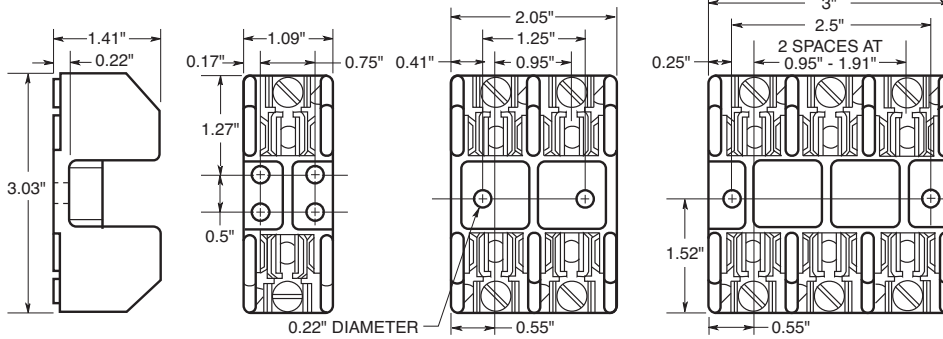


FIGURE 1.

FIGURE 2.

FIGURE 3.

250V, 31A to 60A

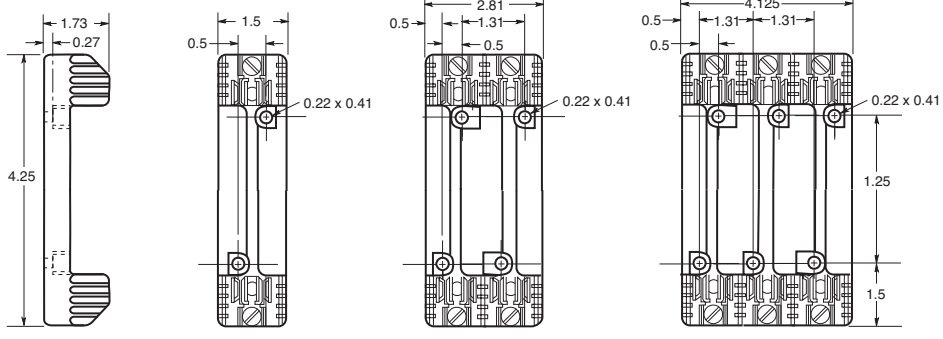


FIGURE 4.

FIGURE 5.

FIGURE 6.

250V, 61A to 100A

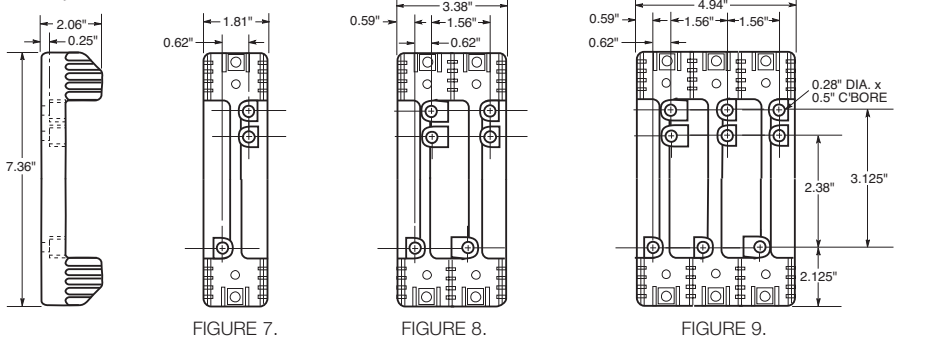


FIGURE 7.

FIGURE 8.

FIGURE 9.

Data Sheet: H250 Series, 1112; R250 Series, 1110

For product data sheets, visit www.cooperbussmann.com/DatasheetsEle

Class H(K) and R Fuse Blocks – 600V

H600 & R600 Series

Specifications

Descriptions:

H600 Series: fuse blocks for use with 1-, 2- and 3-pole Class H fuses.

R600 Series: fuse blocks for use with 1-, 2- and 3-pole Class R fuses (Bussmann LPS-RK, FRS-R, PVS-R and KTS-R fuses).

Dimensions: See Dimensions illustrations.

Ratings:

Volts: — 600Vac/dc (H600 & R600 Series)

Amps: — ½-100A

SCCR: — H600 Series; 10kA RMS Sym.

— R600 Series; 200kA RMS Sym.

Agency Information: CE, UL Listed UL 4248, Guide IZLT, File E14853; CSA Certified, Class 6225-01, File 47235.

Flammability Rating: UL 94V0.



H60030-3C



H60030-2PR

Features and Benefits

- H600 fuse blocks provide one-, two- and three-pole housing for Class H, K and R fuses at 600Vac.
- H600 fuse blocks are listed with a Short-Circuit Current Rating of 10kA RMS Sym.
- R600 fuse blocks provide one-, two- and three-pole housing for Class R fuses at 600Vac.
- R600 fuse blocks are listed with a Short-Circuit Current Rating of 200kA RMS Sym.

Typical Applications

- 600Vac/dc or less Control Systems
- 600Vac/dc or less Industrial Control
- 600Vac/dc or less Individual Control Circuits

Class H Fuseblocks (600V) Catalog Data (for NOS and RES Fuses)

Amps	Poles	Catalog Number	Terminal Type (Suffix No.)						Figure Number	Wire Range
			Screw			Box Lug w/				
			—	Clip with Reinforced Spring	Pressure Plate	Pressure Plate & Clip with Reinforced Spring	—	Clip with Reinforced Spring		
½ to 30	1	H60030-1	S	SR	P	PR	C	CR	1	C, CR #2-14 Cu, #2-12 Al P, PR, S, SR #10-18 Cu Only
	2	H60030-2	S	SR	P	PR	C	CR	2	
	3	H60030-3	S	SR	P	PR	C	CR	3	
31 to 60	1	H60060-1	—	—	—	—	C	CR	4	C, CR #2-14 Cu, #2-8 Al
	2	H60060-2	—	—	—	—	C	CR	5	
	3	H60060-3	—	—	—	—	C	CR	6	
61 to 100	1	H60100-1	—	—	—	—	—	CR	7	CR #1/0-8 Cu/Al
	2	H60100-2	—	—	—	—	—	CR	8	
	3	H60100-3	—	—	—	—	—	CR	9	

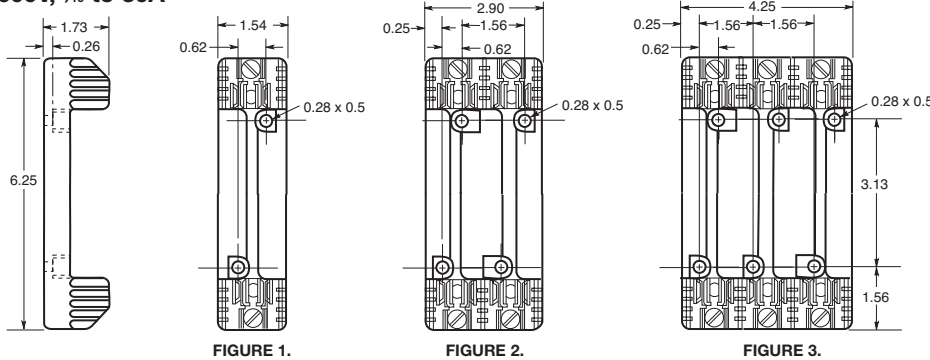
Class H(K) and R Fuse Blocks – 600V

Class R Fuseblocks (600V) Catalog Data (for LPS-RK, FRS-R, PVS-R and KTS-R Fuses)

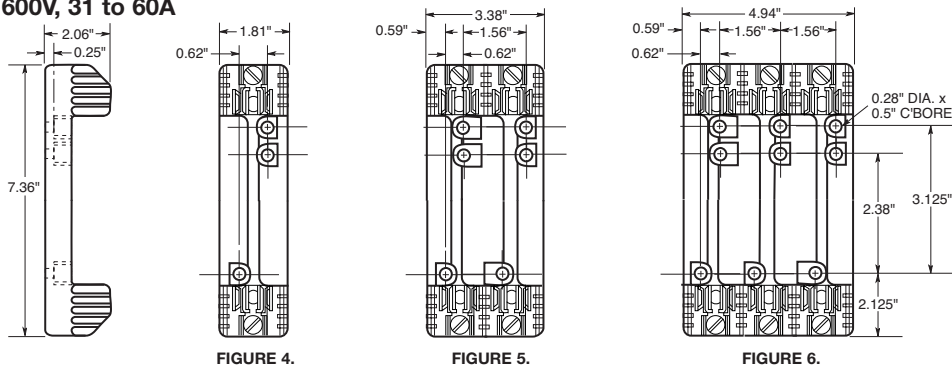
Amps	Poles	Catalog Number	Terminal Type (Suffix No.)				Fig. No.	Wire Range
			Screw w/		Box Lug w/			
			—	Pres. Plate	—	Clip Cu Only		
1/2 to 30	1	R60030-1	SR	PR	CR	—	1	COR #6-14 Cu Only
	2	R60030-2	SR	PR	CR	COR	2	CR #2-14 Cu, #2-12 Al
	3	R60030-3	SR	PR	CR	COR	3	PR, SR #10-18 Cu Only
31 to 60	1	R60060-1	—	—	CR	—	4	CR #2-14 Cu, #2-8 Al
	2	R60060-2	—	—	CR	—	5	
	3	R60060-3	—	—	CR	—	6	
61 to 100	1	R60100-1	—	—	CR	—	7	CR, 1/0-8 Cu/Al
	2	R60100-2	—	—	CR	—	8	
	3	R60100-3	—	—	CR	—	9	

Dimensionals – in

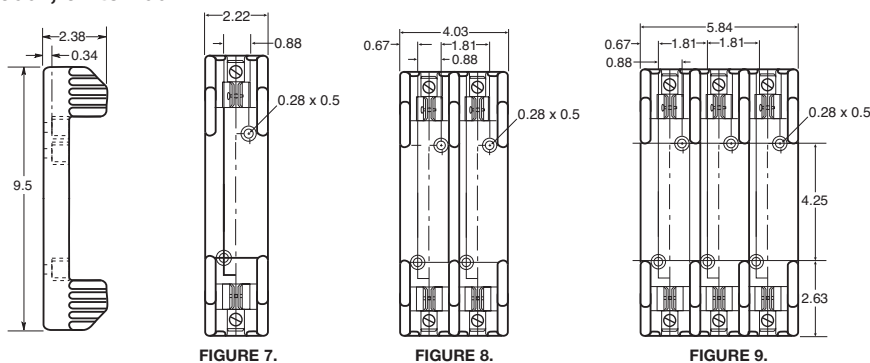
600V, 1/2 to 30A



600V, 31 to 60A



600V, 61 to 100A



Data Sheet: H600 Series, 1113; R600 Series, 1111

Class J Fuse Blocks

J600 Series

Specifications

Description: 1-, 2- or 3-pole fuse blocks for use with Class J fuses (Bussmann LPJ, DFJ and JKS).

Dimensions: See Dimensions illustrations.

Construction: Thermoplastic.

Poles: 1 to 3

Ratings:

Volts — 600Vac/dc

Amps — ½-100A

SCCR: — 200kA RMS Sym.

Agency Information: CE, UL Listed, UL 4248, Guide IZLT, File E14853, CSA Certified, C22.2 No. 4248, Class 6225-01, File 47235.

Flammability Rating: UL 94V0.

Mounting: Accepts DIN-Rail adapter DRA-1. See page 507.

Catalog Numbers



Features and Benefits

- J600 fuse blocks provide one-, two- and three-pole housing for Class J fuses at 600Vac.
- J600 fuse blocks are listed with a Short-Circuit Current Rating of 200kA RMS Sym.

Typical Applications

- 600Vac/dc or less Control Systems
- 600Vac/dc or less Industrial Control
- 600Vac/dc or less Individual Control Circuits

Catalog Numbers

Screw†	Pressure Plate†	Box Lug	Box Lug w/ Retaining Clip	Amps	Poles	Fig. No.	Wire Range
J60030-1S*	J60030-1P	J60030-1C	J60030-1CR††	½-30	1	1	C, CR #2-14 Cu, #2-8 Al
J60030-2S*	J60030-2P	J60030-2C	J60030-2CR††		2	2	COR #2-14 Cu Only
J60030-3S*	J60030-3P	J60030-3C	J60030-3CR††		3	3	P, PR, S, SR #10-14 Cu Only
—	—	J60060-1C	J60060-1CR††	31-60	1	1	C, CR, #2-14 Cu/Al COR #4-14 Cu Only
—	—	J60060-2C	J60060-2CR††		2	2	
—	—	J60060-3C	J60060-3CR††		3	3	
—	—	—	J60100-1CR	61-100	1	4	COR 1/0-8 Cu Only
—	—	—	J60100-3CR††		3	5	CR, CRQ 1/0-8 Cu/Al

†Clip reinforcing springs are standard on fuse blocks rated 100A and above. Available on 30A and 60A blocks by adding the letter "R" to the end of the part number.

††Copper only connections available by changing "CR" suffix to "COR".

*No UL, No CSA Certification

Dimensions - in (±0.015)

½ - 60A

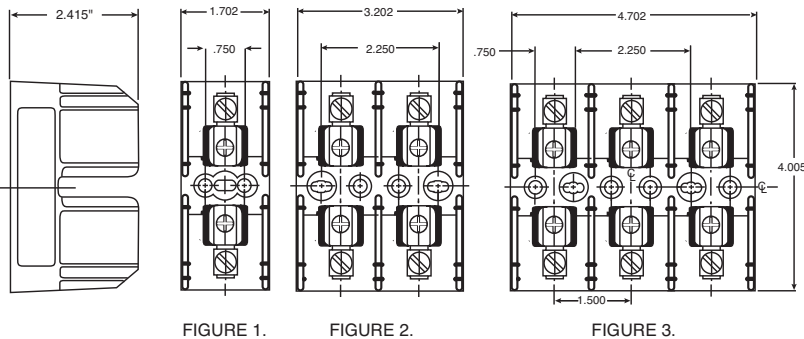


FIGURE 1.

FIGURE 2.

FIGURE 3.

61-100A

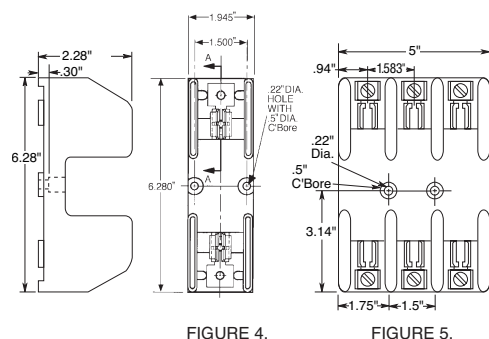


FIGURE 4.

FIGURE 5.

Class J Fuse Blocks

JP Series

Specifications

Description: Pyramid style 3-pole fuse block for use with Class J fuses (Bussmann LPJ, DFJ, JKS).

Dimensions: See Dimensions illustrations.

Ratings:

Volts: — 600Vac/dc

Amps: — 0-30A

SCCR: — 200kA RMS Sym.

Agency Information: CE, UL Listed, UL 4248, Guide IZLT, File E14853, CSA Certified, C22.2 No. 39, Class 4225-04, File 47235.

Flammability Rating: UL 94V0.

Mounting: Panel or 35mm DIN-Rail mount.

To order DIN-Rail: Part# NDNA 100 (1 meter) or NDNA 200 (2 meter).

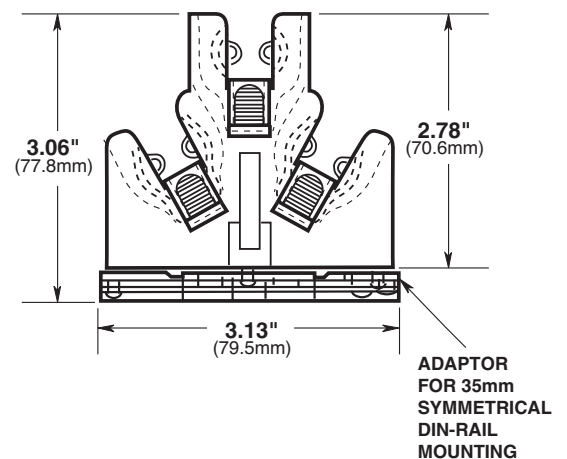
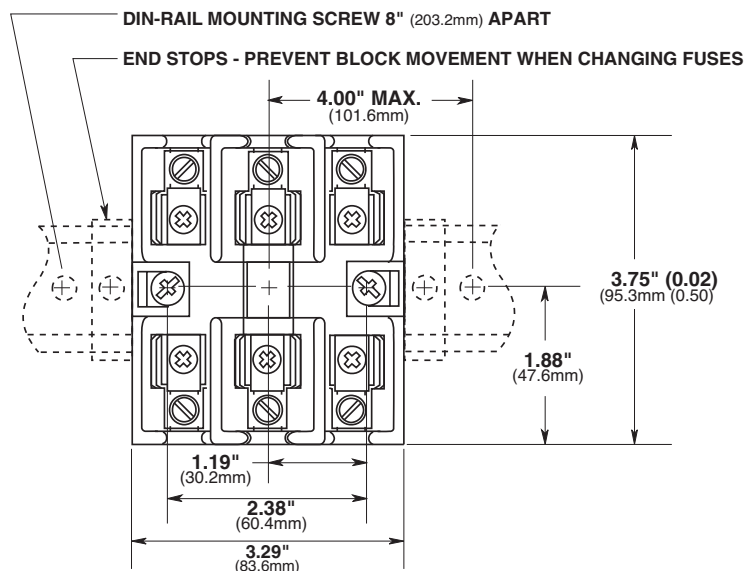
Catalog Numbers

Catalog Numbers	Panel	With DIN Rail Adapter*	Mounting			
			Screws with Pressure Plate	Aluminum	Box Copper Only	Wire Range
JP60030-3PR	X		X			#10-14 Cu Only
JP60030-3CR	X			X		#2-14 Cu/Al
JP60030-3COR	X				X	#2-14 Cu Only
JP60030-3PRA		X	X			#10-14 Cu Only
JP60030-3CRA		X		X		#2-14 Cu/Al
JP60030-3CORA		X			X	#2-14 Cu Only

*Adapter only for DIN-Rail - Cat No. JPA-3.



Dimensions - in ± 0.015" (± 0.40mm)



Data Sheet:1108

For product data sheets, visit www.cooperbussmann.com/DatasheetsEle

Courtesy of Steven Engineering, Inc. - (800) 258-9200 - sales@steveneng.com - www.stevenengineering.com

Class T Fuse Blocks – 300V

T300

Specifications

Description: T300 (300V) fuse blocks for use with Class T fuses (Bussmann JLN).

Dimensions: See Dimensions illustrations.

Poles: 1 to 4

Ratings:

Volts: — 300Vac/dc

Amps: — ½ - 600A

SCCR: — 200kA RMS Sym.

Agency Information: CE, UL Listed UL 4248, Guide IZLT, File E14853, CSA Certified, Class 6225-01, File 47235.

Flammability Rating: UL 94V0.

Features and Benefits

- Provide 1-, 2- and 3-pole housing for 300Vac Class T fuses.
- Short-Circuit Current Rating of 200kA RMS Sym.
- Class T fuse blocks have a small foot print, providing substantial space savings in equipment

Typical Applications

- 300Vac/dc or less Control Systems
- 300Vac/dc or less Individual Control Circuits



T30100-1CR



T30030-2CR

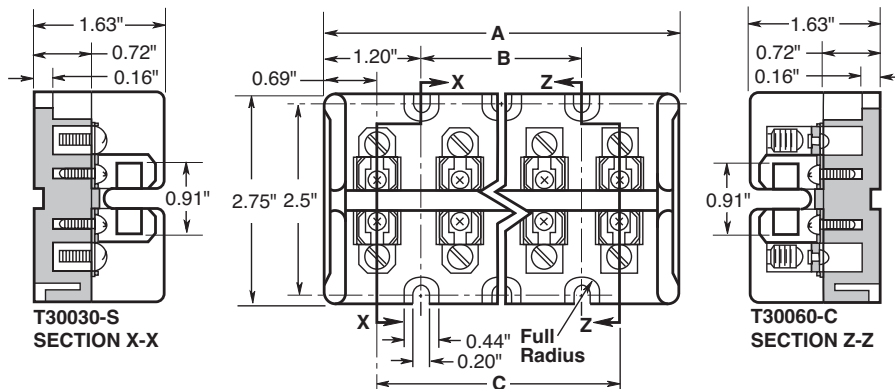


T30600-1C

Catalog Numbers

Catalog Numbers					
Screw	Box Lug	Amps	Poles	Fig. No.	Wire Range
T30030-2SR	T30030-2CR	½-30	2	1	SR #10-18 Cu CR #6-14 Cu/Al
T30030-3SR	T30030-3CR		3		
T30030-4SR	T30030-4CR		4		
T30060-2SR	T30060-2CR	31-60	2	1	CR #2-14 Cu/Al SR #10-18 Cu Only
T30060-3SR	T30060-3CR		3		
T30060-4SR	T30060-4CR		4		
—	T30100-1CR	61-100	1	2	1/0-8 Cu/Al
—	T30100-2CR		2		
—	T30100-3CR		3		
—	T30200-1C	101-200	1	3	250kcmil-6 Cu/Al
—	T30200-3C		3	4	
—	T30400-1C	201-400	1	5	600kcmil-2/0 Cu/Al
—	T30600-1C	401-600	1	6	(2) 600kcmil-4/0 Cu/Al

Dimensions - in Figure 1. ½-60A



Catalog Number	Dimensions - in		
	A	B	C
T30030-2	2.41	—	1.03
T30060-2	2.41	—	1.03
T30030-3	3.44	1.03	2.06
T30060-3	3.44	1.03	2.06
T30030-4	4.47	2.06	3.09
T30060-4	4.47	2.06	3.09

Data Sheet: 1115

Class T Fuse Blocks – 300V

Figure 2. 61 to 100A

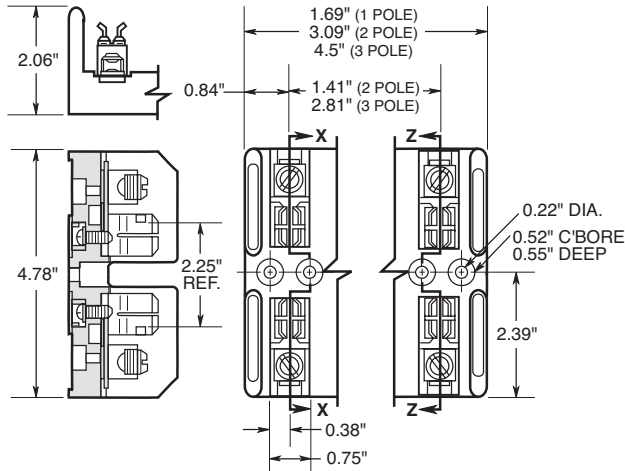


Figure 3. 101 to 200A

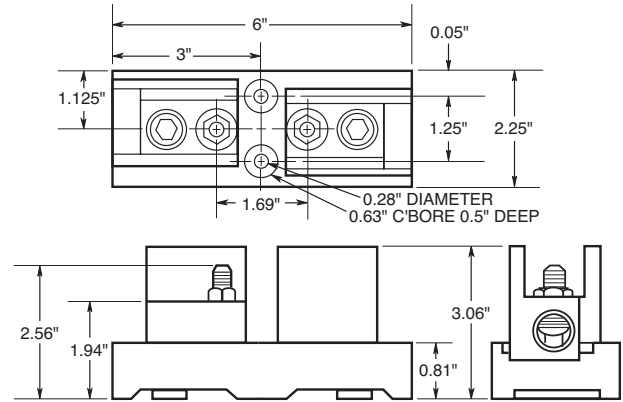


Figure 4. 200A

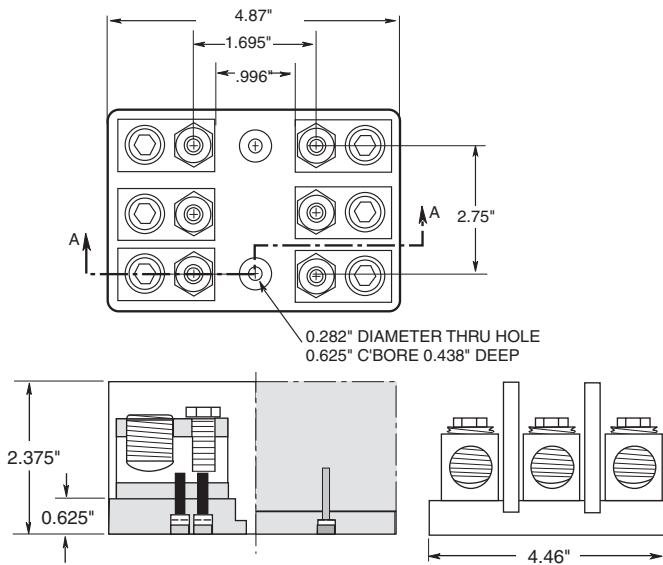


Figure 5. 201 to 400A

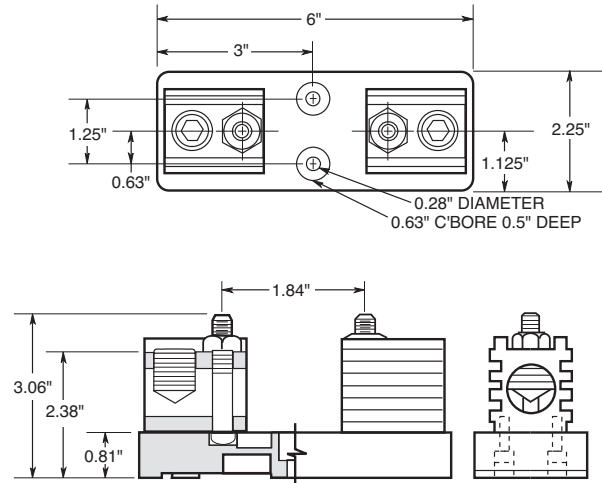
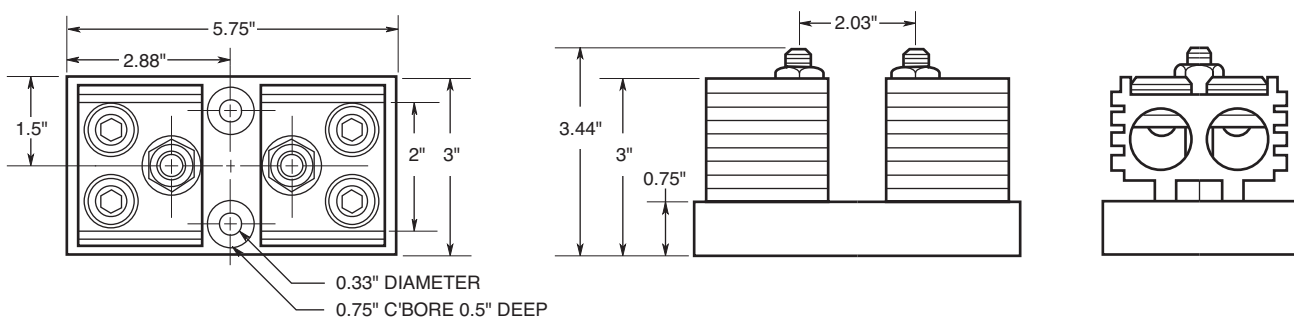


Figure 6. 401 to 600A



Data Sheet: 1115

Class T Fuse Blocks – 600V

T600

Specifications

Description: T600 (600V) fuse blocks for use with Class T fuses (Bussmann JJS).

Dimensions: See Dimensions illustrations.

Poles: 1 to 3

Ratings:

Volts: – 600Vac/dc

Amps: – ½ - 600A

SCCR: – 200kA RMS Sym.

Agency Information: CE, UL Listed UL 4248, Guide IZLT, File E14853, CSA Certified, Class 6225-01, File 47235.

Flammability Rating: UL 94V0.

Features and Benefits

- Provide 1-, 2- and 3-pole housing for 600Vac Class T fuses.
- Short-Circuit Current Rating of 200kA RMS Sym.
- Class T fuse blocks have a small foot print, providing substantial space savings in equipment

Typical Applications

- 600Vac/dc or less Control Systems
- 600Vac/dc or less Individual Control Circuits



T60600-1C

T30030-2CR

Catalog Numbers

Screw	Box Lug	Amps	Fig. No.	Poles	Wire Range
T60030-1SR	T60030-1CR	½-30	1	1	SR #10-18 Cu CR #2-14 Cu/Al
T60030-2SR	T60030-2CR			2	
T60030-3SR	T60030-3CR			3	
T60060-1SR	T60060-1CR	31-60	2	1	CR #2-14 Cu/Al SR #10-18 Cu Only
T60060-2SR	T60060-2CR			2	
T60060-3SR	T60060-3CR			3	
—	T60100-1C	61-100	3	1	2/0-14 Cu/Al
—	T60100-2C			2	
—	T60100-3C			3	
—	T60200-1C	101-200	4	1	250kcmil-6 Cu/Al
—	1B0089*			3	
—	T60400-1C	201-400	5	1	600kcmil-2/0 Cu/Al
—	T60600-1C	401-600	6	1	(2) 600kcmil-4/0 Cu/Al

* UL Listed, Guide IZLT, File E14853, CSA Certified Class 6225-01, File 21455M18

Dimensions - in

Figure 1. ½ to 30A

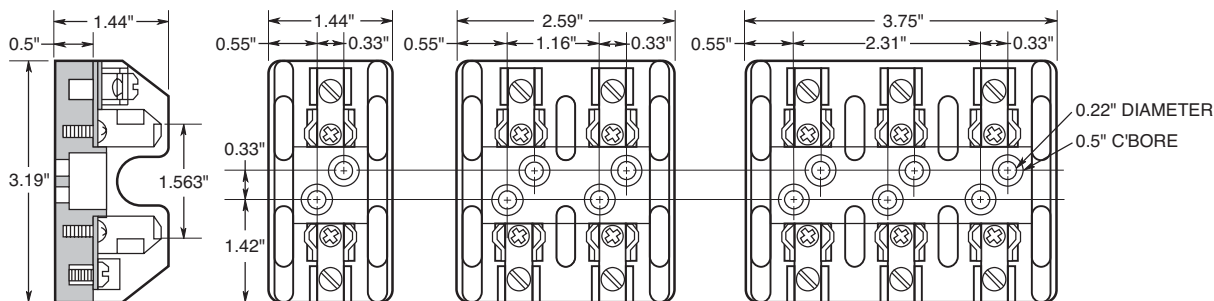
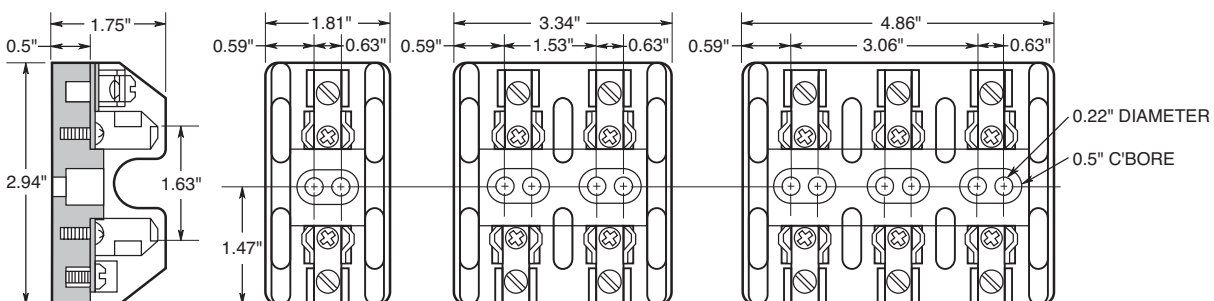


Figure 2. 31 to 60A



Data Sheet: 1116

Class T Fuse Blocks – 600V

Figure 3. 61 to 100A

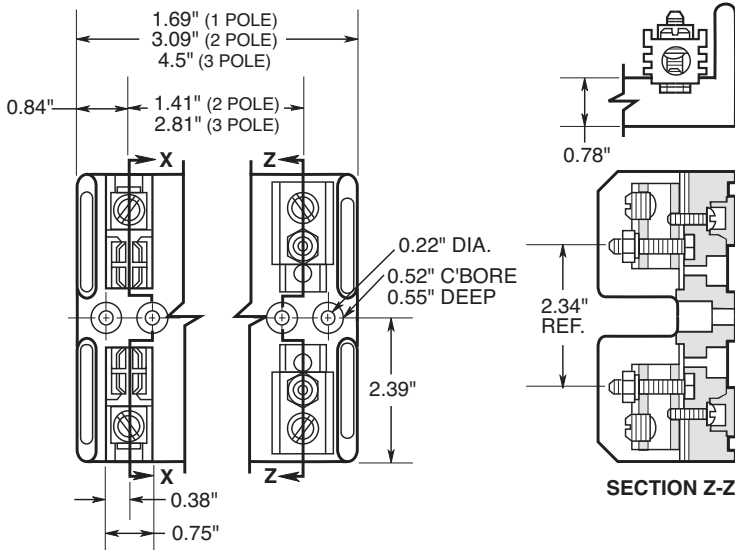


Figure 4. 101 to 200A

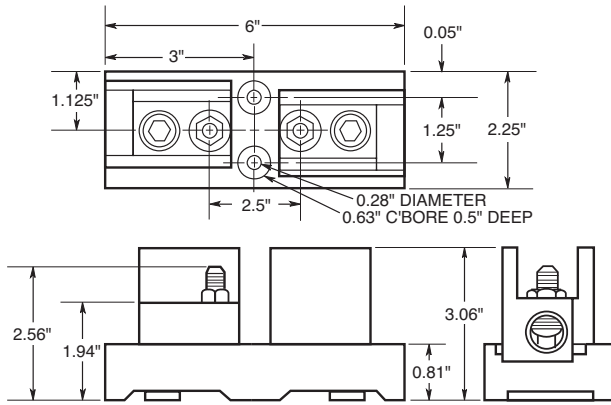


Figure 5. 201 to 400A

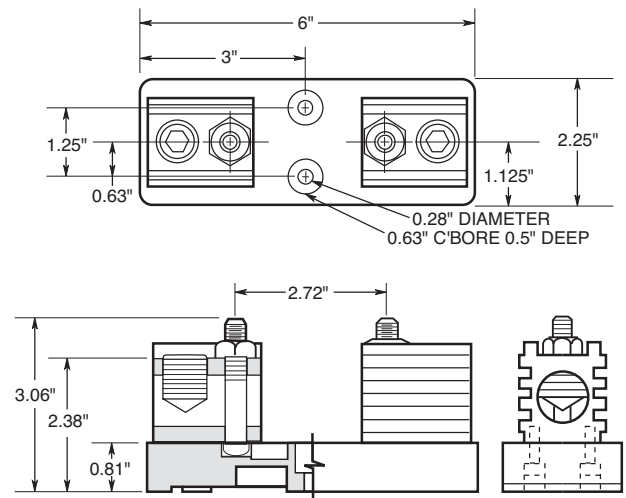
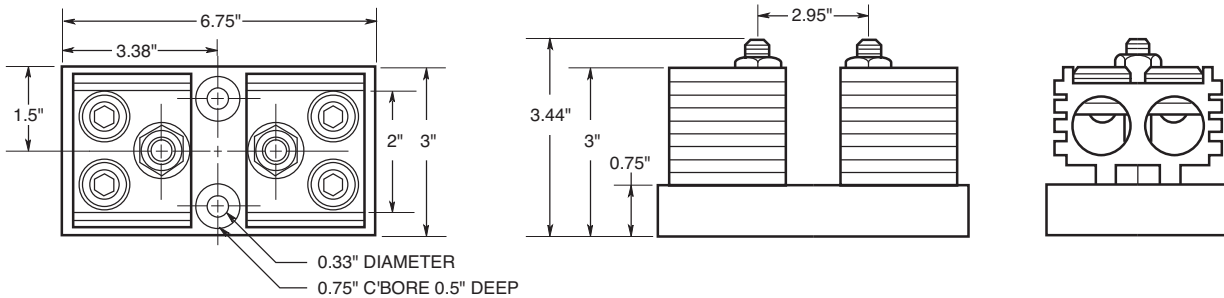


Figure 6. 401 to 600A



Data Sheet: 1116

For product data sheets, visit www.cooperbussmann.com/DatasheetsEle

Courtesy of Steven Engineering, Inc. - (800) 258-9200 - sales@steveneng.com - www.stevenengineering.com

Add-a-pole Fuse Blocks

BCA Series - Class CC fuses BMA Series - 1 3/32" X 1 1/2" fuses

Specifications

Description: 1-, 2 and 3-pole fuse blocks for use with Class CC fuses (BCA Series use Bussmann LP-CC, KTK-R, and FNQ-R), or with standard 1 3/32" x 1 1/2" fuses (BMA Series use Bussmann KTK, FNQ, PVN, FNM, BAF, PV and AGU) Both Series use an "adder block" to form multi-pole segmented blocks to achieve the desired number of poles.

Dimensions: See Dimensions illustration.

Poles: 1 to 3.

Wire Range: #10-#18 Cu only.

Terminals: Screw/quick connect* or pressure plate/quick connect*.

Ratings:

Volts: — 600Vac/dc

Amps: — 1/0-30A

SCCR: — BCA Series:
200kA RMS Sym.
BMA Series:
10kA RMS Sym.

Agency Information:

BCA Series: CE, UL Listed, UL 4248, Guide IZLT, File E14853. CSA Certified, C22.2 No. 4248, Class 6225-01, File 47235.

BMA Series: CE, UL Recognized, UL 4248, Guide IZLT2, File E14853. CSA Certified, C22.2 No. 4248, Class 6225-01, File 47235.

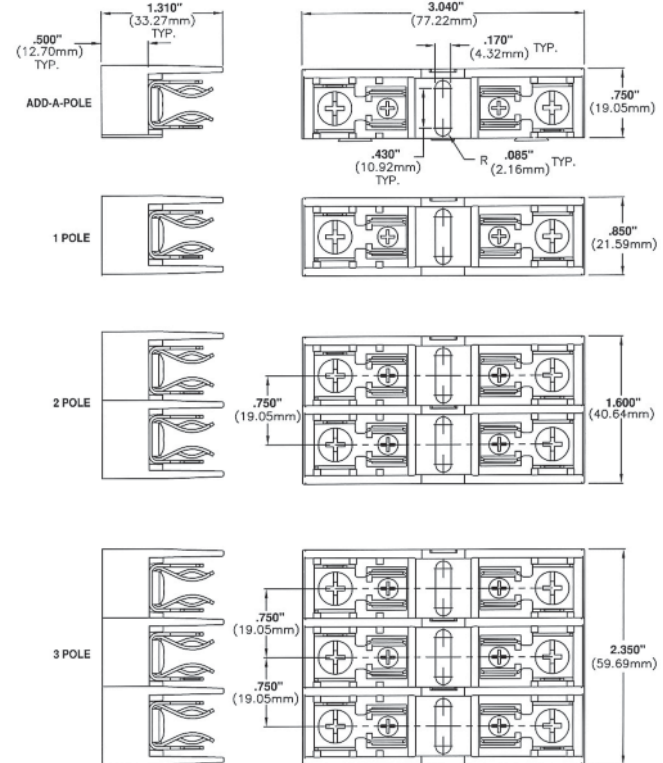
Flammability Rating: UL 94V0

*Quick connect rated for 20A maximum.

Catalog Numbers

BCA Series Catalog Numbers	Poles	Terminal Type
BCA603ASQ	Adder Block	Screw w/ quick connect
BCA6031SQ	1	Screw w/ quick connect
BCA6032SQ	2	Screw w/ quick connect
BCA6033SQ	3	Screw w/ quick connect
BCA603APQ	Adder Block	Pressure plate w/ quick connect
BCA6031PQ	1	Pressure plate w/ quick connect
BCA6032PQ	2	Pressure plate w/ quick connect
BCA6033PQ	3	Pressure plate w/ quick connect

Dimensions in ± 0.015" (0.38mm)



BMA Series

BMA Series Catalog Numbers	Poles	Terminal Type
BMA603ASQ	Adder Block	Screw w/ quick connect
BMA6031SQ	1	Screw w/ quick connect
BMA6032SQ	2	Screw w/ quick connect
BMA6033SQ	3	Screw w/ quick connect
BMA603APQ	Adder Block	Pressure plate w/ quick connect
BMA6031PQ	1	Pressure plate w/ quick connect
BMA6032PQ	2	Pressure plate w/ quick connect
BMA6033PQ	3	Pressure plate w/ quick connect

Data Sheets: BCA Series 1154, BMA Series 1155

Class CC, Type M and Class G Fuse Blocks

BC Series



Specifications

Description: Class CC fuse blocks for use with Class CC fuses (Bussmann LP-CC, KTK-R, and FNQ-R).

Dimensions: See Data Sheet 1105

Poles: 1 to 3

Ratings:

Volts: — 600V
Amps: — 1/0-30A
SCCR:— 200kA RMS Sym.

Agency Information: CE, UL Listed (Guide IZLT, File E14853), CSA (Class 6225-01, File 47235)

Flammability Rating: UL 94V0

DIN-Rail Adapters: See page 413 for DRA-1 & DRA-2

Catalog Numbers

Screw	Terminal Type				Poles
	Screw with Quick Connect*	Pressure Plate	Pressure Plate w/ Quick Connect*	Box Lug	
BC6031S	BC6031SQ	BC6031P	BC6031PQ	BC6031B	1
BC6032S	BC6032SQ	BC6032P	BC6032PQ	BC6032B	2
BC6033S	BC6033SQ	BC6033P	BC6033PQ	BC6033B	3

Data Sheet: 1105

BCCM Series

Description: 3-pole fuse block for use with (2) Class CC fuses and (1) 1 1/2" x 1 1/2" fuse

Catalog Numbers

Catalog Numbers	Terminal Type
BCCM6033SQ	Screw with Quick-Connect*
BCCM6033PQ	Pressure Plate w/Quick-Connect*

*Quick-connect terminal rated for 20A max.

Recommended Cover Puller

- PF1-WH (White)
- PF1-BK (Black)

BM Series Type M



Specifications

Description: Supplementary fuse blocks for use with any 1 1/2" x 1 1/2" fuses (Bussmann KTK, PVM, FNQ, FNM, BAF, PV, and AGU).

Dimensions: See Data Sheet 1104

Poles: 1 to 3

DIN-Rail Adapters: See page 413 for DRA-1 & DRA-2

Ratings:

Volts: — 600Vac/dc
Amps: — 1/0-30A
SCCR:— 10kA RMS Sym.

Agency Information: CE, UL Recognized (Guide IZLT2, File E14853), CSA (Class 6225-01, File 47235).

Flammability Rating: UL 94V0.

Catalog Numbers

Screw with Quick Connect*	Terminal Type			Poles
	Pressure Plate w/ Quick Connect*	Box Lug		
BM6031SQ	BM6031PQ	BM6031B		1
BM6032SQ	BM6032PQ	BM6032B		2
BM6033SQ	BM6033PQ	BM6033B		3

Recommended Cover Puller

- PF1-WH (White)
- PF1-BK (Black)

Data Sheet: 1104

BG & G Series



Specifications

Description: Class G fuse blocks for use with Class G fuses (Bussmann SC).

Dimensions: See Data Sheet 1106

Poles: 1 to 3

Ratings:

Volts: — 600Vac/dc (0-20A)
— 480Vac/dc (25-60A)
Amps: — 1-60A (See Catalog Numbers table)

SCCR: — 100kA RMS Sym.

Agency Information: CE, UL Listed 35-60A (Guide IZLT, File E14853), UL Recognized 1-30A, (Guide IZLT2, File E14853), CSA (Class 6225-01, File 47235).

DIN-Rail Adapters: See page 413 for DRA-1 & DRA-2.

Catalog Numbers

Screw with Quick Connect*	Terminal Type				Amps	Poles
	Pressure Plate w/ Quick Connect*	Box Lug	Box Lug w/retaining clip			
BG3011SQ	BG3011PQ	BG3011B	—	—	1	
BG3012SQ	BG3012PQ	BG3012B	—	—	1-15	
BG3013SQ	BG3013PQ	BG3013B	—	—	3	
BG3021SQ	BG3021PQ	BG3021B	—	—	1	
BG3022SQ	BG3022PQ	BG3022B	—	—	20	
BG3023SQ	BG3023PQ	BG3023B	—	—	3	
BG3031S	BG3031P	BG3031B	—	—	1	
BG3032S	BG3032P	BG3032B	—	—	25-30	
BG3033S	BG3033P	BG3033B	—	—	3	
—	—	—	G30060-1CR	—	1	
—	—	—	G30060-2CR	—	35-60	
—	—	G30060-3C	G30060-3CR	—	3	

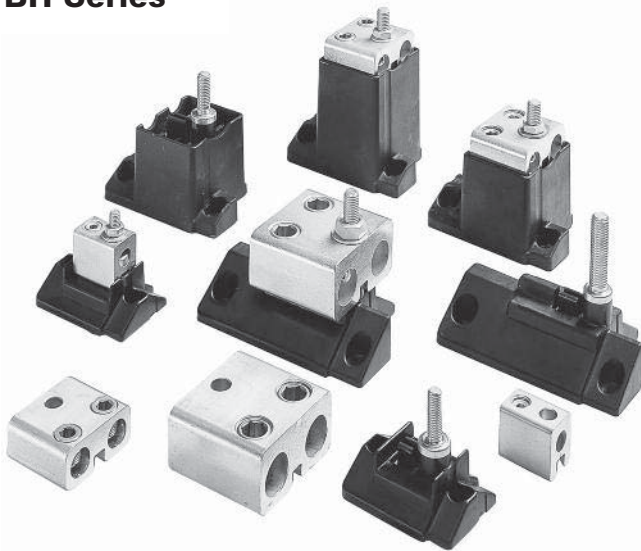
Recommended Cover Puller

- PF1-WH (White)
- PF1-BK (Black)

Data Sheet: 1106

Modular Fuse Blocks

BH Series



Specifications

Description: For use with Bussmann high speed fuses.

Ratings:

SCCR: — 200kA RMS Sym. or fuse IR, whichever is lower.

Agency Information: CE, UL Recognized, Guide EZLT2, File No. E14853 up to 700V, CSA Certified, Class 6225-01, File No. 47235 up to 700V.

BH Series Features and Benefits

- BH fuse blocks provide a wide range of mounting configurations for Bussmann high speed fuses.
- BH fuse blocks have a Short-Circuit Current Rating of any installed fuse up to 200kA RMS Sym.

Typical Applications

- Solid State Control Circuits
- VFDs
- UPS Systems

Catalog Numbers

BH-0001	BH-0122	BH-2001	BH-3004
BH-0002	BH-1001	BH-2002	BH-3033
BH-0003	BH-1002	BH-2003	BH-3144
BH-0111	BH-1003	BH-2031	BH-3145
BH-0112	BH-1131	BH-2032	
BH-0113	BH-1132	BH-2033	
BH-0121	BH-1133	BH-3003	

Refer to the data sheet numbers below for the catalog code description information.

Data Sheet: (BH-0) 1200; (BH-1) 1201; (BH-2) 1202; (BH-3) 1203

Modular Type Fuse blocks for Class H & J Fuses



Specifications

Description: 3-Pole only, modular type fuse blocks for Class H & J fuses with standard reinforced retaining clips.

Ratings:

- Volts: — 250V (0-60A See Catalog Numbers table)
 — 600V (35-60A See Catalog Numbers table)
- Amps: — 0-60A @ 250Vac/dc (See Catalog Numbers table)
 — 35-60A@600V (See Catalog Numbers table)
- SCCR: — Class J 200kA, Class H 10kA

Agency Information: CE, UL Recognized, Guide IZLT2, File E14853, CSA Certified, Class 6225-01, File 47235.

Class H & J Features and Benefits

- H & J modular fuse blocks provide three pole 30 and 60 amp ratings for specific client requirements for separate line and load fuse clip configurations.

Typical Applications

- Up to 60A, space confined, control circuits

Catalog Numbers						
Screw	Pressure Plate	Fuse Class	Volts	Amps	Fig. No.	
11241-3SR*	11241-3PR*	H	250	60	1	
11242-3SR	11242-3PR				2	
11241-3SR	11241-3PR		35	1		
11242-3SR**	11242-3PR**			2		
11239-3SR	11239-3PR		J	600	60	1
11240-3SR**	11240-3PR**					2
11241-3SR	11241-3PR	35		1		
11239-3SR*	11239-3PR*	60		1		

Note: Order two blocks per fuse (matched or mixed.)

*11239 and 11241 have wire terminals and mounting holes located under fuse. (Figure 1)

**11240 and 11242 have wire terminals and mounting holes located at end of fuse. (Figure 2)

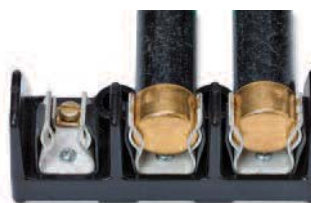


Figure 1



Figure 2

Box Cover Units for Plug Fuses

SOU, SRU, SSN, SSU, SOW, SRW, SSW, SOX, SRX, SSX, SOY, SRY, SSY, SSY-RL, SSY-L, STY, SCY & SOY-B

Specifications

Description: Box covers for standard electrical boxes that provide fused outlet, fused switch or circuit fuse protection.

Ratings:

Volts: — 125V/250V (See Catalog Numbers table)

Amps: — 0-15A (See Catalog Numbers table)

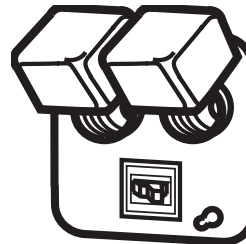
Agency Information: CE, See Catalog Numbers table.

Features/Benefits

- Bussmann Box Cover Units provide a low-cost method of controlling and protecting small motors when used with Bussmann Type T, Fusetron™, dual-element fuses.
- Provide low-cost supplementary protection and disconnection of 125V or less, single phase circuits.

Typical Applications

- Fractional Horsepower, 125 Volt Single-Phase Motor Circuits
- General 125 Volt Supplemental Circuits



Catalog Numbers

Catalog Numbers	Type Box	Fuse holder ³		Receptacle Outlet to Load		Switch Control ¹	Switch Light ²	Motor Size (Max)	General Data	Agency ⁴ Listing/Certification	
		Single	Double	125V	250V						
SOU	2 1/4" Handy	X						3/4hp	125V, 15A	UL, CSA	
SRU		X		X				1/2hp	125V, 15A	UL	
SSU		X				X			125Vac, (do not use on dc), 15A	UL, CSA	
SOW	2 3/4" Switch	X						3/4hp	125V, 15A	UL, CSA	
SRW		X		X				1/2hp	125V, 15A	UL	
SSW		X				X			125Vac, (do not use on dc), 15A	UL, CSA	
SOX	4" Octagon	X						3/4hp	125V, 15A	UL, CSA	
SRX		X		X				1/2hp	125V, 15A	UL	
SSX		X				X			125Vac, (do not use on dc), 15A	UL, CSA	
SOY	4" Square	X						3/4hp	125V, 15A	UL, CSA	
SRY		X		X				1/2hp	125V, 15A	UL	
SSY		X				X			125Vac, (do not use on dc), 15A	UL, CSA	
SSY-RL		X		X		X	X		125Vac, (do not use on dc), 15A	—	
STY ³			X				X		1/2hp	125Vac, (do not use on dc), 15A	UL
SCY				X			X(2)		1/2hp (2)	125Vac, (do not use on dc), can protect two motors, 15A	UL
SOY-B				X					3/4hp	125V, protects two motors, 15A	UL
SSN	Single Gang	X		X		X		1/2hp	Weatherproof model, 15A	UL	

1 Switch turns power to fused load OFF or ON.
 2 Switch light indicates power to load (dark when switch OFF or fuse open).
 3 Double pole switch opens both sides of circuit. Can be used for two separate motors with common switch or a single motor (3/4Hp, 250Vac max.).
 4 UL Guide JAMZ, File IE6491; CSA Class 6225-01, File 47235.

In-line Fuse Holders for 1/4" x 7/8" to 1 1/4" Fuses

HFB & HFB-10



Specifications

Description: Water-resistant in-line fuse holder for 1/4" x 1 1/4" fuses.

Dimensions: See Dimensions illustration.

Construction: Thermoplastic rubber body with tin-plated, copper contacts.

Ratings:

Volts: — 32V

Amps: — 30A max

Catalog Numbers

Catalog Numbers	Description
HFB*	Standard Pack (10-in)
BK/HFB	Bulk Pack (100-in)
BK/1A2294	HFB Replacement Contact Clip
1A2294-01	HFB-10** Replacement Contact Clip

*HFB accepts #12 to #18 wire leads (not provided). See Data Sheet for recommended crimp tools.

**HFB-10 accepts #10 wire leads (not provided). See Data Sheet for recommended crimp tools.

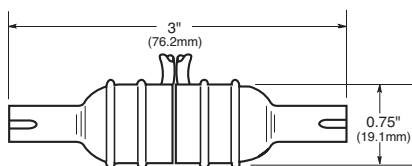
Features/Benefits

- Simple assembly with one-piece thermoplastic (important information molded into body)
- High visibility yellow color for easy identification in dark or hard-to-access locations
- Ideal for shock and vibration environments; withstands many organic solvents; temperature range - 40/+150°C

Typical Applications

- Supplemental, Low Voltage, Low Amperage Control Circuits

Dimensions - in (mm)



Data Sheet: 2102

HHB



Specifications

Description: Universal in-line fuse holder for 1/4" x 7/8", 1" and 1 1/4" fuses.

Dimensions: See Dimensions illustration.

Construction: Nylon body with tin-plated, copper contacts.

Ratings:

Volts: — 32V

Amps: — 30A max

Flammability Rating: UL 94V2.

Pull Force: 5lbs minimum to separate fuse holder housing with fuse installed.

Features and Benefits

- HHB Universal in-line fuse holder for 1/4" x 7/8", 1" and 1 1/4" fuses.

Typical Applications

- Supplemental, Low Voltage, Low Amperage Control Circuits

Catalog Numbers

Holder — without leads* - RoHS compliant

Catalog Numbers	Description
HHB-R	Standard Pack (10-in)
BK/HHB-R	Bulk Pack (100-in)

*Accepts #12 to #16 wire leads (not provided with basic fuse holder). See Data Sheet for recommended crimp tools.

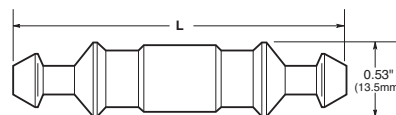
Holder — with pre-attached #14 Insulated lead wires - Not RoHS compliant unless noted

Catalog Numbers	19" Length	8" Length	Wire Color
BK/HHB-Y419	BK/HHB-Y408		Yellow
BK/HHB-R419	BK/HHB-R408**		Red
BK/HHB-B419	BK/HHB-B408		Black

**RoHS compliant.

Dimensions - in (mm)

Fuse Length	Fuse Holder Length "L"
7/8" (AGW)	2.100 Max
1" (AGX)	2.250 Max
1 1/4" (AGC, MDL)	2.420 Max



Data Sheet: 2103

HRK



Specifications

Description: Universal in-line fuse holder for 1/4" x 7/8" to 1 1/4" fuses.

Dimensions: See Dimensions illustration.

Construction: 8" (203mm) #14 lead wires.

Ratings:

Volts: — 32V

Amps: — 15A max

Features and Benefits

- HRK Universal in-line fuse holder for 1/4" x 7/8", 1" and 1 1/4" fuses with #14 lead wires.
- RoHS compliant

Typical Applications

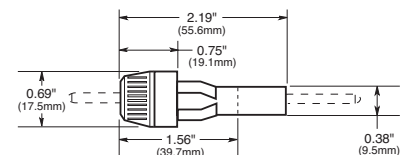
- Supplemental, Low Voltage, Low Amperage Control Circuits

Catalog Number

Catalog Number	Amp Rating	Fuse Description
HRK-R*	15 32	1/4" diameter fuses of different lengths.

*Three springs furnished with fuse holder to accommodate different length 1/4" fuses.

Dimensions - in (mm)



Data Sheet: 2111

In-line Fuse Holders

HR and HM Series

Specifications

Description: In-line fuse holders for SFE and 1/4" dia. x various length fuses.

Dimensions: See Dimensions illustration.

Ratings:

Volts: — 32V
Amps: — 20A

Features and Benefits

- HR and HM Universal in-line fuse holder for SFE and various length 1/4" diameter fuses with #14 lead wires.

Typical Applications

- Supplemental, Low Voltage, Low Amperage Control Circuits

Catalog Numbers

Catalog Numbers	Includes Fuse	Wire Length & Size
HRJ*	SFE-20	19" of #14
HRI	SFE-14	
HRH	SFE-9	
HRE	SFE-7½	
HRG	SFE-6	
HRF	SFE-4	
HMJ**	SFE-20	8" of #14
HMI	SFE-14	
HMH	SFE-9	
HME	SFE-7½	
HMG	SFE-6	
HMF	SFE-4	

* Also available as in-line fuse holder only with lead wire contacts, HRJ-LESS-Fuse.

** Also available as in-line fuse holder only with lead wire contacts, HMJ-LESS-Fuse.

HHJ-A For 1/4" x 1 1/4" fuse, no wire or fuse included, accepts #18 - #22 wire.

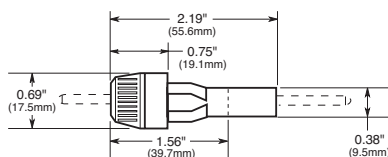
HHJ-B For 1/4" x 1 1/4" fuse, no wire or fuse included, accepts #12 - #16 wire.

HHI-B For 1/4" x 1 1/8" fuse, no wire or fuse included, accepts #12 - #16 wire.

Replacement Contacts

Catalog Number	Symbol
9838	HHJ-A
9841	HHJ-B

Dimensions - in (mm)



Data Sheet: 2122

HFA Series



Specifications

Description: In-line water-resistant fuse holders for 1/4" x 1 1/4" fuses.

Dimensions: See Dimensions illustration.

Ratings:

Volts: — 250V
Amps: — 20A

Refer to data sheet for recommend crimp tools

Catalog Numbers

Catalog Numbers	Terminals
HFA	Crimp #12 - #16
HFA-HH*	1/4" Quick Connect

*No UL Recognition.

Data Sheet: 2115

HEG Series



Specifications

Description: Single-pole, non-breakaway, in-line fuse holders for Type SC fuses, 480V (or less).

Ratings:

Volts: — 600V
Amps: — 0-15A

Fuse Size: 1 3/32" x 1.31"

Catalog Number

HEG-AA

Optional Boots:

2A0660 Single Conductor
2A0661 Two Conductor

Data Sheet: 2124

HHT Series



Specifications

Description: In-line fuse holders for 5 x 15mm or 5 x 20mm fuses.

Dimensions: See Dimensions illustration.

Construction: Black thermoplastic body with brass contacts, wire: 16 AWG, red.

Ratings:

Volts: — 32V
Amps: — 5A (5 x 15mm)
— 10A (5 x 20mm)

Catalog Numbers

Catalog Number	Fuse Size
HHT	5 x 15mm & 5 x 20mm

Data Sheet: 2138

HEH Series



Specifications

Description: Single-pole, non-breakaway, in-line fuse holders for Type SC fuses (Also fuse types BBS & KTQ, nominal size 1 3/32" x 1 3/8").

Ratings:

Volts: — 600V
Amps: — 0-20A

Agency Information: CSA - 15A.

Catalog Numbers

HEH-AA, HEH-AD

Optional Boots:

2A0660 Single Conductor
2A0661 Two Conductor

Data Sheet: 2124

Tron™ In-line Fuse Holders

HEC Series



Specifications

Description: Single-pole, non-breakaway, in-line fuse holders for Type SC-25, & SC-30 fuses, size $1\frac{1}{2}$ " x $1\frac{5}{8}$ ".

Ratings:

Volts: — 480V
Amps: — 0-30A

Catalog Numbers

HEC-AA, HEC-RW-RLB-R

Optional Boots:

2A0660 Single Conductor
2A0661 Two Conductor

Data Sheet: 2124

HEJ Series



Specifications

Description: Single-pole, non-breakaway, in-line fuse holders for Type SC and Type HVW fuses, size $1\frac{1}{2}$ " x $2\frac{1}{4}$ ".

Ratings:

Volts: — 480V
Amps: — 35-60A Type SC
— $\frac{1}{2}$ -6A Type HVW

Catalog Numbers

HEJ-AA, HEJ-AB, HEJ-AC, HEJ-BB, HEJ-JJ, HEJ-JK, HEJ-LL, HEJ-LLB, HEJ-CC, HEJ-DD, HEJ-WW, HEJ-PP, HEJ-QQ

Optional Boots:

2A0660 Single Conductor
2A0661 Two Conductor

Data Sheet: 2123

HEB Series



Specifications

Description: Single-pole in-line fuse holders for any $1\frac{1}{2}$ " x $1\frac{1}{2}$ " fuses (typically fuse types: BAF, FNM, FNQ, and KTK $\frac{1}{10}$ - 30A).

Ratings:

Volts: — 600V
Amps: — 0-30A

Catalog Numbers

See Page 311

Optional Boots:

2A0660 Single Conductor
2A0661 Two Conductor

Data Sheet: 2127

HEX Series



Specifications

Description: Double-pole in-line fuse holders for $1\frac{1}{2}$ " x $1\frac{1}{2}$ " fuses (typically fuse types BAF, FNM, FNQ, and KTK $\frac{1}{10}$ - 30A).

Ratings:

Volts: — 600V
Amps: — 0-30A

Catalog Numbers

HEX-AA, HEX-AB, HEX-AC, HEX-AD, HEX-AE, HEX-AW, HEX-AW-DRLC-A, HEX-AW-DRYC, HEX-AW-RLC-A, HEX-AW-RYC, HEX-AY, HEX-BB, HEX-CC, HEX-JJ, HEX-JK, HEX-JW-DRYC, HEX-KK

Data Sheet: 2126

HEZ Series



Specifications

Description: Waterproof (IPX7), single-pole Class CC in-line fuse holders. Holds Bussmann fuse types: LP-CC, FNQ-R and KTK-R.

Ratings:

Volts: — 600V (or less)
Amps: — Up to 30A*

Conductors: Lineside & Loadside**

#12 to #8 Crimp terminal
#12 to #3 Setscrew terminal

*Amp rating limited by conductor size and fuse sizing when used with insulating boots

**See details in non-breakaway and breakaway specifications

Data Sheet: 2130

HEY Series



Specifications

Description: Double-pole in-line fuse holders for KTK-R fuses with optional breakaway receptacle, polarized, and accepting Class CC branch circuit fuses (Bussmann KTK-R, FNQ-R & LP-CC; 600V or less, 200kA IR).

Ratings:

Volts: — 600V
Amps: — 0-30A

Catalog Numbers

HEY-AA, HEY-AB, HEY-AC, HEY-AD, HEY-AE, HEY-AL, HEY-AW-DRLC-A, HEY-AW-DRLC-B, HEY-AW-DRYC, HEY-BB, HEY-JJ

Data Sheet: 2126

HET Series



Specifications

Description: Single-pole in-line fuse holders for $1\frac{1}{2}$ " x $1\frac{1}{2}$ " fuses with a permanently solid neutral identified by white plastic coupling nut.

Catalog Numbers

HET-AA, HET-AB, HET-AW, HET-AW-RLC-A, HET-AW-RLC-B, HET-AW-RLC-C, HET-AW-RLC-J, HET-AW-RYC, HET-BB, HET-BW-RLC-B, HET-BW-RYC, HET-JJ, HET-JK, HET-JW, HET-JW-RLC-J, HET-JW-RYC, HET-KK

Data Sheet: 2125

For HEB Holders Only

Directions: To select complete holder P/N, work from left to right starting with loadside terminal options and then lineside terminal options. Then determine breakaway or non-breakaway style.

Loadside Terminal					Lineside Terminal					Available P/N's	
Terminal Type	Wire Size	No. of Wires per Terminal	Solid Wire	Stranded Wire	Terminal Type	Wire Size	No. of Wires per Terminal	Solid Wire	Stranded Wire	Non-Breakaway P/N (Boots not included)	Breakaway P/N (Boots included)
Copper Crimp	#12 to #8 #12	1 2	Y Y	Y Y	Copper Crimp	#12 to #8 #12	1 2	Y Y	Y Y	HEB-AA ⁽¹⁾⁽²⁾ ₍₃₎	HEB-AW-RLC-A ⁽¹⁾⁽²⁾ ₍₃₎
Copper Crimp	#12 to #8 #12	1 2	Y Y	Y Y	Copper Crimp	#6 #10	1 2	Y Y	Y Y	HEB-AB ⁽²⁾	HEB-AW-RLC-B
Copper Crimp	#12 to #8 #12	1 2	Y Y	Y Y	Copper Crimp ⁽⁴⁾	#4 #8	1 2	N Y	Y Y	HEB-AC ⁽²⁾	HEB-AW-RLC-C ⁽⁴⁾
Copper Crimp	#12 to #8 #12	1 2	Y Y	Y Y	Copper Crimp	#2 #6	1 2	N Y	Y Y	HEB-AD ⁽²⁾	N/A
Copper Crimp	#12 to #8 #12	1 2	Y Y	Y Y	Copper Crimp	2/0 #3	1 2	N N	Y Y	HEB-AE ⁽²⁾	N/A
Copper Crimp	#12 to #8 #12	1 2	Y Y	Y Y	Copper Setscrew	#12 to #3	1	Y	Y	HEB-AJ	HEB-AW-RLC-J
Copper Crimp	#12 to #8 #12	1 2	Y Y	Y Y	Copper Setscrew	#12 to #3	2	Y	Y	HEB-AK	HEB-AW-RYC
Copper Crimp	#12 to #8 #12	1 2	Y Y	Y Y	Aluminum Setscrew	#12 to #2	1	Y	Y	HEB-AL	HEB-AW-RLA
Copper Crimp	#12 to #8 #12	1 2	Y Y	Y Y	Aluminum Setscrew	#12 to #2	2	Y	Y	HEB-AY	HEB-AW-RYA
Copper Crimp	#12 to #8 #12	1 2	Y Y	Y Y	Aluminum Crimp	#1, #2	1	N	Y	HEB-AR	N/A
Copper Crimp	#6 #10	1 2	Y Y	Y Y	Copper Crimp	#12 to #8 #12	1 2	Y Y	Y Y	HEB-BA ⁽²⁾	HEB-BW-RLC-A
Copper Crimp	#6 #10	1 2	Y Y	Y Y	Copper Crimp	#6 #10	1 2	Y Y	Y Y	HEB-BB ⁽²⁾	HEB-BW-RLC-B
Copper Crimp	#6 #10	1 2	Y Y	Y Y	Copper Crimp	#4 #8	1 2	N Y	Y Y	HEB-BC ⁽²⁾	N/A
Copper Crimp	#6 #10	1 2	Y Y	Y Y	Copper Crimp	#2 #6	1 2	N Y	Y Y	HEB-BD ⁽²⁾	N/A
Copper Crimp	#4 #8	1 2	N Y	Y Y	Copper Crimp	#4 #8	1 2	N Y	Y Y	HEB-CC ⁽²⁾	N/A
Copper Crimp	#2 #6	1 2	N Y	Y Y	Copper Crimp	#2 #6	1 2	N Y	Y Y	HEB-DD ⁽²⁾	N/A
Copper Crimp	#20, #18	1	Y	Y	Copper Crimp	#12 to #8 #12	1 2	Y Y	Y Y	HEB-ZA	N/A
Copper Setscrew	#12 to #3	1	Y	Y	Copper Setscrew	#12 to #3	1	Y	Y	HEB-JJ	HEB-JW-RLC-J
Copper Setscrew	#12 to #3	1	Y	Y	Copper Setscrew	#12 to #3	2	Y	Y	HEB-JK	HEB-JW-RYC
Copper Setscrew	#12 to #3	1	Y	Y	Aluminum Setscrew	#12 to #2	1	Y	Y	HEB-JL	N/A
Copper Setscrew	#12 to #3	1	Y	Y	Aluminum Setscrew	#12 to #2	2	Y	Y	HEB-JY	N/A
Aluminum Setscrew	#12 to #2	1	Y	Y	Aluminum Setscrew	#12 to #2	1	Y	Y	HEB-LL	HEB-LW-RLA
Aluminum Crimp	#8	1	N	Y	Aluminum Crimp	#8	1	N	Y	HEB-NN	N/A
Aluminum Crimp	#6	1	Y	N	Aluminum Crimp	#6	1	Y	N		
Aluminum Crimp	#6	1	N	Y	Aluminum Crimp	#6	1	N	Y	HEB-PP ⁽²⁾	N/A
Aluminum Crimp	#4	1	Y	N	Aluminum Crimp	#4	1	Y	N		
Aluminum Crimp	#3, #4	1	N	Y	Aluminum Crimp	#3, #4	1	N	Y	HEB-QQ ⁽²⁾	N/A
Aluminum Crimp	#2	1	Y	N	Aluminum Crimp	#2	1	Y	N		
Aluminum Crimp	#1, #2	1	N	Y	Aluminum Crimp	#1, #2	1	N	Y	HEB-RR ⁽²⁾	N/A
Aluminum Crimp	1/0	1	N	Y	Aluminum Crimp	1/0	1	N	Y	HEB-TT ⁽²⁾	N/A
Solid Terminal for aluminum connector	#8 to #12 #10 to #14	1	Y	N	Solid Terminal for aluminum connector	#8 to #12 #10 to #14	1	Y	N	HEB-SS	N/A

(1) UL Recognized, Guide IZLT2, File E14853

(2) CSA Certified, Class 6225-01, File 47235

(3) CE

(4) HEB-AW-RLC-C is for (1) #4 stranded wire only.

Insulating boots for single conductor-2A0660
Dual conductor-2A0661

Contact your local Bussmann representative for other possible terminations not listed.

Panel Mounted Fuse Holders for 5 x 20mm Fuses

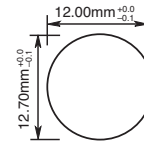
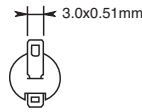
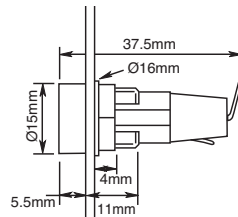
HTC-35M

Ratings:

Volts: — 250Vac

Amps: — 10A UL, 6.3A VDE

Fuse Access: Threaded cap



Data Sheet: 2110

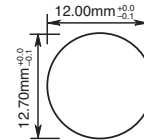
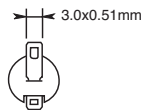
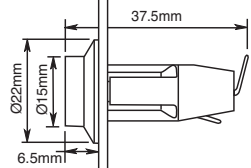
HTC-40M

Ratings:

Volts: — 250Vac

Amps: — 10A UL, 6.3A VDE

Fuse Access: Screwdriver slot



Data Sheet: 2110

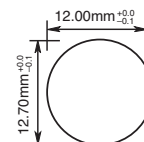
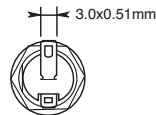
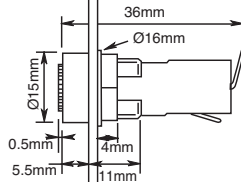
HTC-55M

Ratings:

Volts: — 250Vac

Amps: — 10A UL, 6.3A VDE

Fuse Carrier: Bayonet type



Data Sheet: 2110

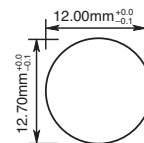
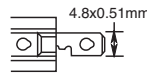
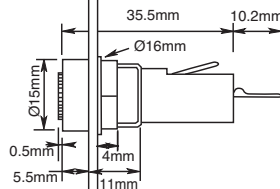
HTC-70M

Ratings:

Volts: — 250Vac

Amps: — 10A UL, 6.3A VDE

Fuse Carrier: Bayonet type



Data Sheet: 2110

Specifications

Terminals: Tin-plated brass.

Molded Materials: High temperature thermoplastic that meets the flammability ratings of UL 94V0; Glow Wire Test: 960°C per IEC 60695-2-1.

Solderability: In accordance with IEC 68-2-20.

Agency Information: cURus, VDE

Electrical: Contact Resistance: ≤ 10 megohm; Insulation Resistance: ≥ 10MΩ; Dielectric Strength ≥ 2000Vac.

Shock Safety: PC2 (fuse holders).

Packaging: Standard Qty 10 (No Prefix), Bulk Qty 100 (Prefix Catalog Number with BK/).

Panel Mounted Fuse Holders for 1/4" x 1 1/4" Fuses

HKP, HKP-L, HKP-W



Specifications

Description: Standard fuse holders.

Dimensions: See Dimensions illustration.

Ratings:

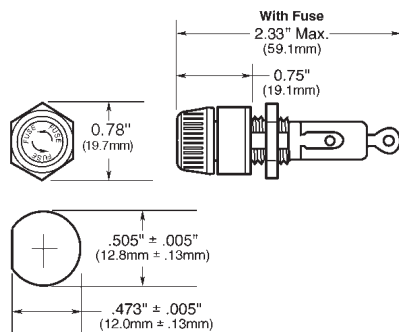
Volts: — 250V

Amps: — 30A

Catalog Numbers

Catalog Numbers	Fuse Description
HKP	—
HKP-L	HKP w/ 2250V stand-off barrier
HKP-W	HKP w/ drip-proof knob

Dimensions - in (mm)



Data Sheet: 2106

HKP-BBHH, HKP-HH and HKP-LW-HH



Specifications

Description: Fuse holders with 1/4" quick-connects.

Dimensions: See Dimensions illustration.

Ratings:

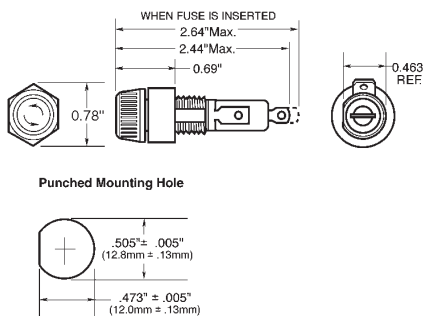
Volts: — 250V

Amps: — 15A

Catalog Numbers

Catalog Numbers	Fuse Description
HKP-BBHH	HKP w/ 1/4" quick-connects, nut and washer assembled.
HKP-HH	HKP w/ 1/4" quick-connect.
HKP-LW-HH	HKP w/ drip-proof knob, 2250V stand-off barrier and 1/4" quick-connects.

Dimensions - in (mm)



Data Sheet: 2106

HKP-OO



Specifications

Description: Snap-lock fuse holders.

Dimensions: See Dimensions illustration.

Ratings:

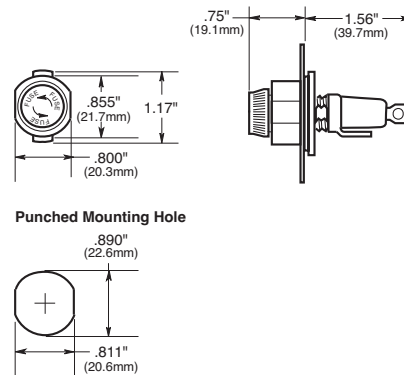
Volts: — 250V

Amps: — 30A

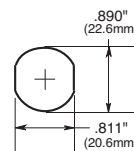
Catalog Numbers

Catalog Number	Fuse Description
HKP-OO	HKP with snap-lock

Dimensions - in (mm)



Punched Mounting Hole



Data Sheet: 2106

Specifications

Terminals: Bayonet-type knob.
Vibration resistant.

For panels up to 5/16" (7.9mm) thick.

Agency Information: CE (HKP, HKP-L, HKP-W, HKP-OO), UL Recognized — Guide IZLT2, File E14853, CSA Certified — Class 6225-01, File 47235

Replacement Parts: Cap: 9435-1/2
Plastic Nut: BK/1A4287 (100 pieces minimum)
Metal Nut: BK/1A4806-2 (100 pieces minimum)
Washer: 9732

Panel Mounted Fuse Holders for 5 x 20mm and 1/4" x 1 1/4" Fuses

HTB Series

Specifications

Description: Fuse holders with knob-type carriers.

Dimensions: See Dimensions illustrations.

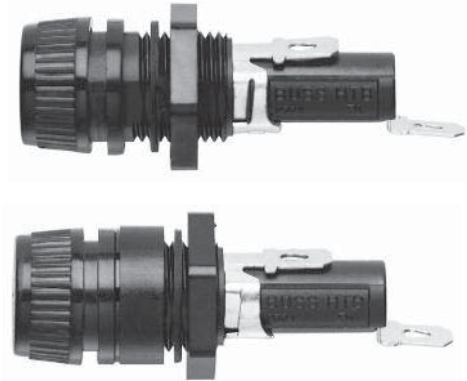
Construction: High temperature, flame retardant thermoplastic; UL Component Recognized; UL 94V0; mounting nut, spacer-black polycarbonate. Terminals: tin-plated brass.

Electrical Data: Insulation resistance (per IEC #257) — 10,000 ohms @ 500Vdc; contact resistance (per IEC #257) — 0.005 ohms Max @ 1A; standoff voltage (per IEC #257) — 480V/Mil @ 0.125" thickness.

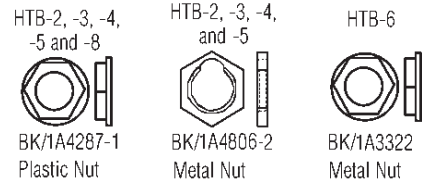
Agency Information: CE, UL Recognized — Guide IZLT2, File E14853, 1/4" dia fuse @ 20A, 5mm dia fuse @ 16A @ 250V, CSA — 16A @ 250V Class 6225-01 File 47235; VDE Certified: 136128, HTB-XXM, SEMKO Certification: Ref. #0146149/01, HTB-XXM.

Mounting: Withstands 15 to 20 Lb-In torque to mounting nut when mounting fuse holder to panel.

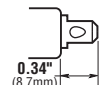

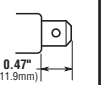
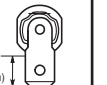


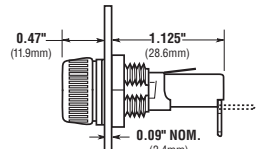
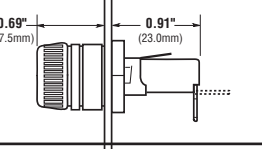
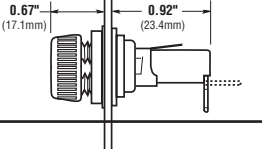
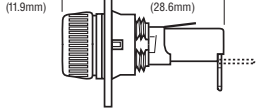
Environmental: Operating temperature range -55°C to 85°C.



Replacement Parts



Dimensional Data - in (mm)

Knob Type Carrier	Maximum Panel Thickness	Terminal Options				Carrier Options	
		Solder/ 3/16" Quick-Connect		1/4" Quick-Connect		1/4" x 1 1/4" ("I" Equals Inches) Knob	5 x 20mm ("M" Equals Metric) Knob
		In-Line	Rt. Angle	In-Line	Rt. Angle		
							
	0.30"	HTB-22I-R	HTB-24I-R	HTB-26I-R	HTB-28I-R	X	
	7.62mm	HTB-22M-R	HTB-24M-R	HTB-26M-R	HTB-28M-R		X
	0.125"	HTB-42I-R	HTB-44I-R	HTB-46I-R	HTB-48I-R	X	
	3.18mm	HTB-42M-R	HTB-44M-R	HTB-46M-R	HTB-48M-R		X
	0.30"	HTB-62I-R	HTB-64I-R	HTB-66I-R	HTB-68I-R	X	
	7.62mm	HTB-62M-R	HTB-64M-R	HTB-66M-R	HTB-68M-R		X
	0.125"	HTB-82I-R	HTB-84I-R	HTB-86I-R	HTB-88I-R	X	
	3.18mm	HTB-82M-R	HTB-84M-R	HTB-86M-R	HTB-88M-R		X

Fuse holders and fuse carriers may be ordered separately.

Data Sheet: 2119

Panel Mounted Fuse Holders for Indicating Type Fuses

HLD



Specifications

Description: Pin indicating for 1/4" x 1 1/4" fuses.

Dimensions: See Dimensions illustration.

Ratings:

Volts: — 250V

Amps: — 15A

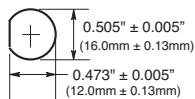
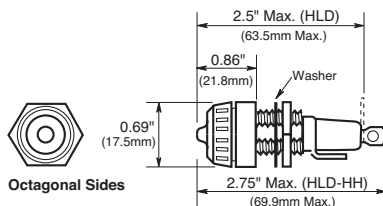
Agency Information: CE, UL Recognized, File E14853, Guide IZLT2.

Catalog Numbers

Catalog Numbers*	Terminals
HLD	Solder terminals
HLD-HH	1/4" quick-connect terminals

*Use w/GBA, GLD Fuses.

Dimensions - in (mm)



Punched Mounting Hole

HJL



Specifications

Description: Neon lamp indicating for 1/4" x 1" fuses.

Dimensions: See Dimensions illustration.

Ratings:

Volts: — 250V

Amps: — 15A

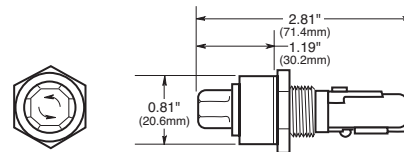
Agency Information: None

Catalog Number

Catalog Number*	Volts	Lamp Color	Knob Type
HJL	90 to 250	Clear	Oct

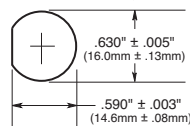
*Use with AGX or MKB fuses, for panels up to 1/8" thick.

Dimensions - in (mm)



Octagonal Sides

Punched Mounting Hole



HK Series



Specifications

Description: Neon and incandescent lamp indicating for 1/4" x 1 1/4" fuses

Dimensions: See Dimensions illustration.

Ratings:

Volts: — 250V

Amps: — 15A (HKL, HKL-X)

— 20A (HKR, HKT, HKU, HKX)

Agency Information: CE, UL

Recognized, (Guide IZLT2, File E14853), CSA Certified (Class 6225-01, File 47235).

Catalog Numbers

Catalog Numbers	Lamp Volts	Knob Color/Type
HKL*	90-250	Clear/Oct
HKL-X*	90-250	Clear/FS
HKR**	22-30	Amber/Oct
HKT**	13-22	Amber/Oct
HKU**	4-6	Red/Oct
HKX**	22-33	Amber/FS

* Neon lamp — UL Recognized and CSA Certified.

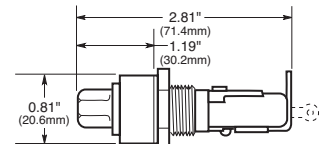
** Incandescent lamp.



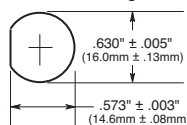
Flat-Sides



Octagonal Sides



Punched Mounting Hole



Panel Mounted Fuse Holders for 1 3/32" x 1 5/16" to 1 1/2" Fuses

HPF



#10 wire max
for solder connection

Specifications

Description: Standard fuse holders with *screw-type knob* for 1 3/32" x 1 5/16" to 1 1/2" Fuses.

Dimensions: See Dimensions illustration.

Agency Information: CE, UL Recognized, Guide IZLT2, File E14853; CSA Certified, Class 6225-01, File 47235.

Flammability Rating: UL 94HB.

Terminals: Combination 1/4" quick-connect/solder terminals.

Catalog Numbers

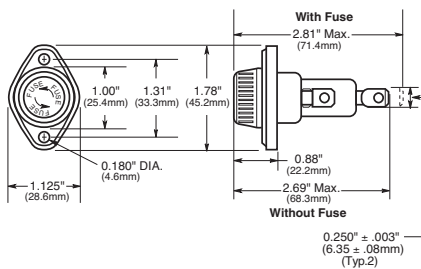
Catalog Numbers	Amp Ratings	Volts AC	Fuse Description
HPF	30 ²	600	1 1/2" (38.1mm)
HPF-C	30 ²	600 ²	1 1/2" (38.1mm) clear knob.
HPF-L	5	600	BBS, 1 3/32" x 1 3/16" fuses.
HPF-EE	15	600	SC 0-15, 1 3/32" x 1 5/16" fuses.
HPF-JJ	20	600	SC 20, 1 3/32" x 1 5/16" fuses.
HPF-FF ¹	30 ²	480	SC 25 & 30, 1 3/32" x 1 5/16" fuses.
HPF-RR	30 ²	600	KTK-R, LP-CC & FNQ-R Class CC fuses.
HPF-WT	30 ²	600	Splash-proof knob, 1 3/32" x 1 1/2" (38.1mm)

¹ No CSA Certification

² 20A max when used with quick-connect terminals.

³ HPF-C ratings for CSA-15A, 250V

Dimensions - in (mm)



HPS



Specifications

Description: Standard fuse holders with *bayonet-type knob* for 1 3/32" x 1 5/16" to 1 1/2" fuses.

Dimensions: See Dimensions illustration.

Agency Information: CE, UL Recognized, Guide IZLT2, File E14853; CSA Certified, Class 6225-01, File 47235.

Flammability Rating: UL 94HB.

Terminals: Combination 1/4" quick-connect/solder terminals.

Catalog Numbers

Catalog Symbol	Amp Ratings	Volts AC	Fuse Description
HPS	30 ^{2 3}	600	1 1/2" x 1 1/2"
HPS-L	5	600	BBS, 1 3/32" x 1 3/16" fuses.
HPS-EE*	15	600	SC 0-15, 1 3/32" x 1 5/16" fuses.
HPS-JJ*	20	600	SC 20, 1 3/32" x 1 5/16" fuses.
HPS-F-EE*	15	600	Sleeve on body, leaded for 1 3/32" x 1 5/16" fuses.
HPS-FF ¹	30 ²	480	SC 25 & 30, 1 3/32" x 1 5/16" fuses.
HPS-RR ¹	30 ²	600	KTK-R, LP-CC, FNQ-R Class CC fuses.

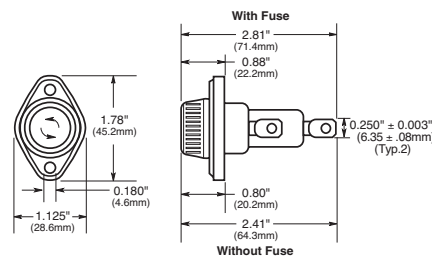
*-EE, -JJ, -FF and -RR versions are UL Recognized for applications requiring branch circuit protection.

¹ No CSA Certification

² 20A max when used with quick-connect terminals.

³ HPS rated at 250V for CSA

Dimensions - in (mm)



HPG



HPD



Specifications

Description: Standard fuse holders with *bayonet-type knob* for 1 3/32" x 1 1/2" fuses.

Dimensions: See Dimensions illustrations.

Agency Information: CE, UL Recognized, (Guide IZLT2, File E14853).

Flammability Rating: UL 94V0 - fuse holder body UL 94HB - Knob.

Catalog Numbers

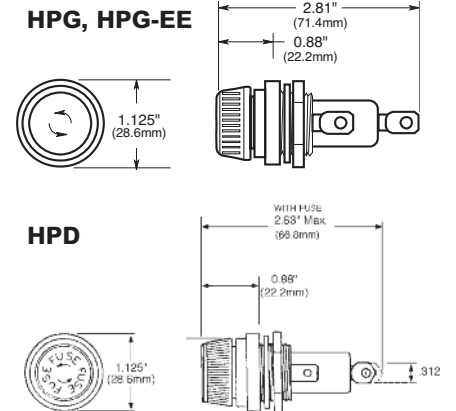
Catalog Numbers	Amp Ratings	Volts AC	Fuse Description
HPG*	30 ¹	600	1 3/32" x 1 1/2" fuses
HPG-EE*	15	600	SC 0-15, 1 3/32" x 1 5/16" fuses.
HPD**	30 ¹	600	1 3/32" x 1 1/2" fuses

¹ 20A max when used with quick-connect terminals.

*HPG and HPG-EE has combination 1/4" quick-connect/solder terminals on both side (load) and rear (line) terminals.

**HPD has combination 1/4" quick-connect/solder terminal on side (load) terminal only. Rear (line) terminal is 3/16" shorter than HPG. Rear terminal solder only.

Dimensions - in (mm)



Fuse Blocks for 1/4" x 1 1/4" Fuses

Series 8000



Specifications

Description: Bolt-in and snap-in mounting for 1/4" x 1 1/4" fuses.

Construction: Blocks are molded flame retarded thermoplastic. Clips are spring-bronze.

Ratings:

Volts: — 300V

Amps: — 25A (See Catalog Numbers table)

Agency Information: CE, UL Recognized ; File E14853, Guide IZLT2, CSA Certified Class 6225-01, File 47235.

Anti-Rotation Pin: Single-pole blocks may be ordered without the anti-rotational pin simply by adding an "X" to the number of poles (Example: BK/S-8000-1X).

Carton Quantity: 10; shelf package: 100.

Bulk Carton: Single-pole and 2-pole fuse blocks – 1,000; Multiple-pole fuse blocks – 3- to 8-pole: 200; 9- to 12-pole: 50. When ordering bulk quantities, prefix "BK/" to catalog number: (Example: BK/S-8001-1-SNP).

Catalog Numbers

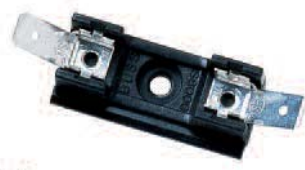
Bolt-in Mounting

Basic Catalog Numbers	Series	Terminal	Angle	Agency Maximums	Poles (Suffix)
S-8001-	8000	Solder	0°	UL 25A	1 - 12
S-8002-			40°	CSA 21A	
S-8101-	8100	3/16" Quick Connect	0°	UL 20A	
S-8102-			40°	CSA 13A	
S-8201-	8200	1/4" Quick Connect	0°	UL 20A	
S-8202-			40°	CSA 16A	
S-8203-	8300	Screw	—	UL 30A	
S-8301-			—	CSA 25A	

Snap-in Mounting

Catalog Numbers	Series	Terminal	Angle	Agency Maximums	Poles (Suffix)
S-8001-1-SNP	8000	Solder	0°	UL 25A	Available only in single pole
S-8002-1-SNP			40°	CSA 21A	
S-8101-1-SNP	8100	3/16" Quick Connect	0°	UL 20A	
S-8102-1-SNP			40°	CSA 13A	
S-8201-1-SNP	8200	1/4" Quick Connect	0°	UL 20A	
S-8203-1-SNP			Side	CSA 16A	

Catalog Number Build-A-Code



Catalog Code

BK/ S-8 0 00 -00

Prefix for Bulk Packing
 Series 8000
 Product Line
 Type Terminal
 "0" - Solder
 "1" - 3/16" Quick Connect
 "2" - 1/4" Quick Connect
 "3" - Screw
 Terminal Angle
 "01" - straight (0.)
 "02" - 40
 "03" - side
 Number of Poles (1-12)
 *Available only in single pole

Data Sheet: 2101

Single-Pole Fuse Blocks

Specifications

Description: Single-pole fuse block for 1/4" x 1 1/4" (6.4 x 31.8mm) size fuses.

Dimensions: See Dimensions illustrations.

Construction: Bakelite base width 1/2" (12.7mm); spring-bronze, bright tin-lead plate clips.

Ratings:

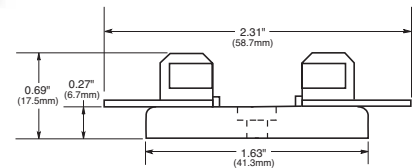
Volts: — 250V

Amps: — 30A



4405 - 0° Solder terminals with integral terminal and clip

Dimensions - in (mm)

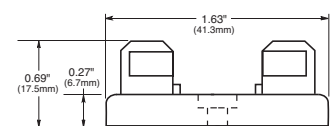


4406 - Side solder terminal



4574 - Spare fuse block

Dimensions - in (mm)

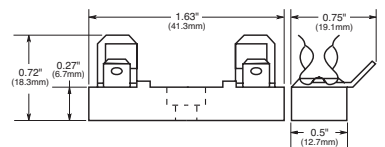


2499 - Side quick-connect

Agency Information: UL Recognized, Guide IZLT2, File E14853

Terminals: 1/4" (6.4mm); 15A, 250V

Dimensions - in (mm)



Note: Mounting screw hole diameter is 0.147" (3.7mm). Counterbore diameter, 0.636" (8.0mm). Max Mounting Screw No. 6.

Fuse Holders & Blocks

Fuse Blocks for 1/4" x 1" Fuses

3828 Series



Specifications

Description: Fuse block for 1/4" x 1" (6.4 x 25.4mm) fuses with solder terminals.

Dimensions: See Dimensions illustration.

Ratings:

Volts — 250V

Amps — 30A

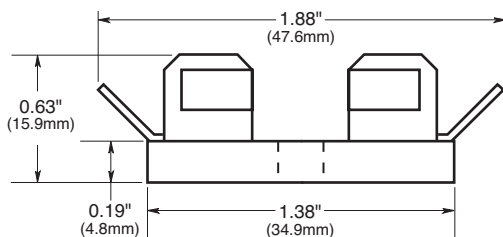
Mounting: Mounting screw hole diameter is 0.147" (3.7mm), diameter. Max mounting screw No. 6.

Catalog Numbers

Catalog Numbers	Poles	*Base Length - in (mm)
3828-1	1	1/2 (12.7)
3828-2	2	1 1/8 (28.6)
3828-3	3	1 3/4 (44.5)
3828-4	4	2 3/8 (60.3)
3828-5	5	3 (76.2)
3828-6	6	3 3/8 (92.1)
3828-7	7	4 1/4 (108.0)
3828-8	8	4 7/8 (123.8)
3828-10	10	6 1/8 (155.6)
3828-12	12	7 3/8 (187.3)

*Small phenolic base, base width 1 3/8" (34.9mm)

Dimensions - in (mm)



4520 and 4393



Specifications

Description: Single-pole fuse block for 1/4" x 1" fuses.

Dimensions: See Dimensions illustrations.

Construction: Bakelite with 1/2" (12.7mm) width base. Spring-bronze, bright tin-lead plated clips.

Ratings:

Volts — 250V

Amps — 30A

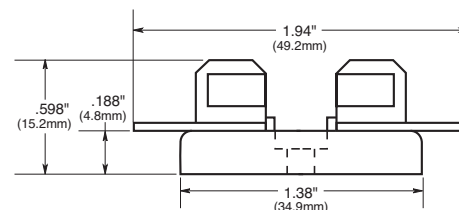
Mounting: Mounting screw hole diameter is 0.147" (3.7mm), counterbore 0.636" (8.0mm) diameter. Max mounting screw No. 6.

Catalog Numbers

Catalog Numbers	Description
4520	Integral clip and straight solder terminals
4393	Spare fuse block

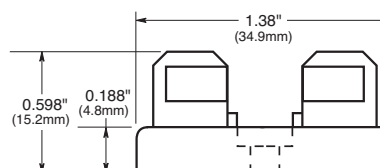
No. 4520 - Integral clip and straight solder terminals

Dimensions - in (mm)



No. 4393 - Spare fuse block

Dimensions - in (mm)



Blocks for 1 3/32" X 1 1/2" Fuses

3743



Specifications

Description: Add-on fuse blocks for 1 3/32" X 1 1/2" (10.3 X 38.1mm) fuses. Single pole blocks lock into each other and can be added at any time. Each has a single end barrier.

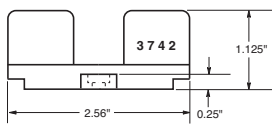
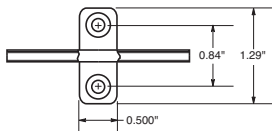
Dimensions: See Dimensions illustration.

Ratings:

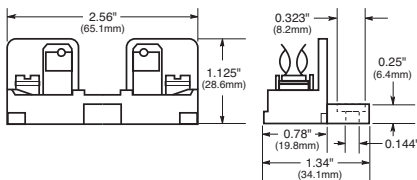
Volts: — 600Vac/dc

Amps: — 30A

Agency Information: CE, UL
Recognized Guide IZLT2, File E14853.



3742—End Barrier Only



3723—Block and end barrier marking strip. Length is 9 3/8" (23.8cm).

Note: Mounting screw hole is 0.147" (3.7mm) dia. Counterbore, 0.636" (8mm) dia. Max. mounting screw No. 6.

Data Sheet: 2104

3835 Series



Specifications

Description: Multiple pole fuse blocks for 1 3/32" X 1 1/2" (10.3 X 38.1mm) fuses.

Dimensions: See Dimensions illustration.

Ratings:

Volts: — 250Vac/dc

Amps: — 30A

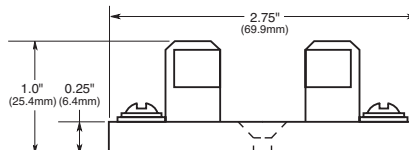
Agency Information: CE

Catalog Numbers

Catalog Numbers	Poles	Base* Width In (mm)
3835-1	1	2 7/32 (21.4)
3835-2	2	1 1/16 (46.0)
3835-3	3	2 25/32 (70.6)
3835-4	4	3 3/4 (95.2)
3835-5	5	4 23/32 (119.9)
3835-6	6	5 11/16 (144.5)
3835-7	7	6 21/32 (169.0)
3835-8	8	7 5/8 (193.7)
3835-9	9	8 1/8 (218.8)
3835-10	10	9 1/16 (242.9)
3835-12	12	11 1/2 (292.1)

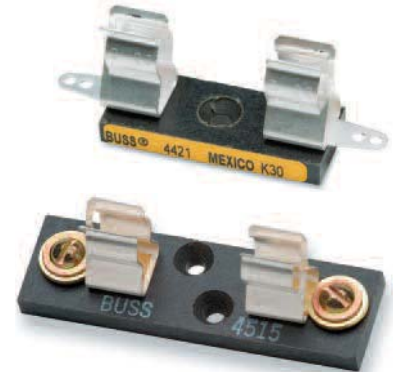
*Base length: 2 3/4" (69.9mm)

Dimensions - in (mm)



Note: Mounting screw hole diameter is 0.148" (3.7mm). Countersink, 0.313" (7.9mm). Max. mounting screw No. 6.

4421 and 4515



Specifications

Description: Single pole fuse blocks for 1 3/32" X 1 1/2" (10.3 X 38.1mm) fuses.

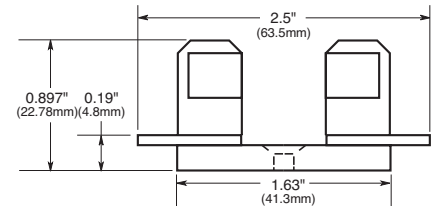
Dimensions: See Dimensions illustration.

Ratings:

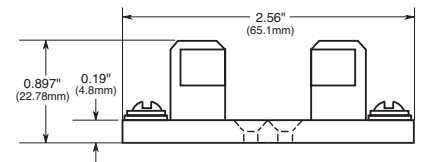
Volts: — 250Vac/dc (or less)

Amps: — 30A

Agency Information: CE



4421—Solder Terminals
Base width 5/8" (15.9mm)



4515—Screw Terminals
Base width 3/4" (19mm)

Note: Mounting screw hole diameter is 0.147" (3.7mm). Countersink, 0.312" (7.9mm). Max. mounting screw No. 6.

Rail Mount Fuse Blocks and Holders

NDNF1-WH

Specifications

Description: Fuse holding rail mount terminal block.

Circuit Jumper: JF1, 2 circuits

Fuse Size: 1³/₃₂" X 1 1¹/₂"* (KTK, FNQ, PVM).

Poles: 1

Wire Range: AWG #8-22 Cu.

Ratings:

Volts: — 600V

Amps: — 30A

Mounting Options: 35mm DIN-Rail, C-rail

Fuse Pullers: • PF1 (standard)
• neon or incandescent bulb

*LPF1 (lighted neon or incandescent bulb).

Torque Rating: 18 lb-in

Operating Temperature: 105°C

Catalog Numbers

Catalog	
Number	Color
NDNF1-WH	White

Fuse Pullers (Optional): PF1

Lighted neon or incandescent lamp:

Catalog	
Numbers	Voltage
LPF1-24	24
LPF1-120	120
LPF1-120-C	120
LPF1-220	220
LPF1-440	440



NDNLF1-WH

Specifications

Description: Rail mount fuse holder.

Circuit Jumper: JF1, 2 circuits.

Fuse Size: 1/4" X 1 1/4" (Bussmann AGC, MDL or equivalent).

Poles: 1

Wire Range: AWG #8-22 Cu.

Ratings:

Volts: — 600V

Amps: — 30A (NDND1 non-fused)

— 15A (NDNFD1, 600V/CSA, fused)

— 15A (NDNLF1*fused, indicating)

*WH24 - 24V White, WH-90Vdc-600Vdc, 115Vac-600Vac White

Agency Information: CE

Mounting Options: 35mm DIN-Rail, C-rail

Marking Tape: MT12-1-2

Torque Rating: 18 lb-in

Operating Temperature: 105°C

Agency Information: CSA File 15364

Catalog Numbers

Catalog		
Number	Color	Indicator
NDND1-WH	White	NO
NDNFD1-WH	White	NO
NDNLF1-WH	White	90Vdc-600Vdc 115Vac-600Vac
NDNLF1-WH 24	White	24V

