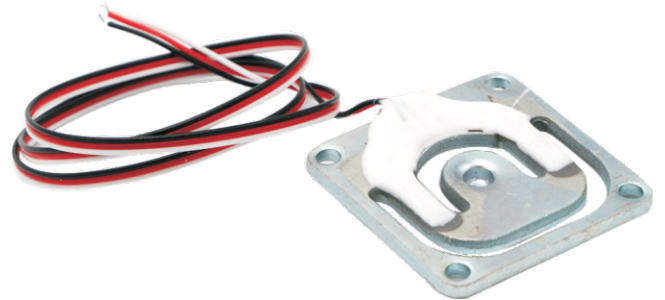
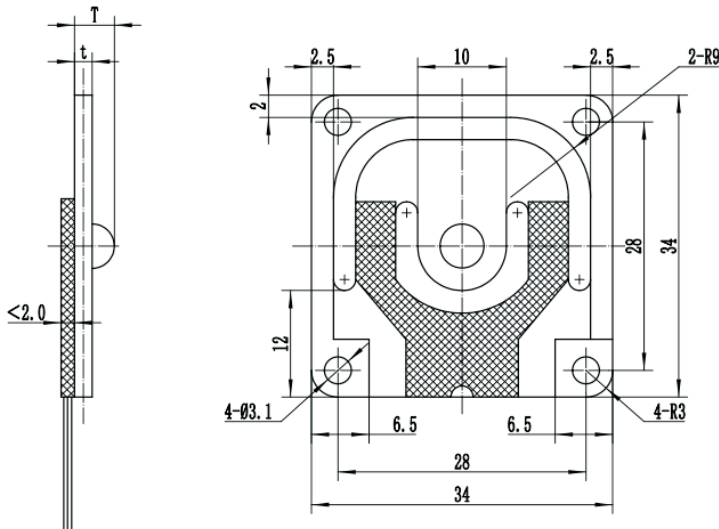


Micro Load Cell GML670A

Installation size (mm):



t1:1.5mm Range :10-20kg
 t1:2mm Range :30-50kg
 t1:2.5mm Range :50-75kg

PARAMETERS

Rated Capacity : 10, 20, 30, 40, 50, 60kg	Creep : $\pm 0.05\%$ F.S/3min
Rated output : 0.8 ± 0.2 mV/V	Temp. effect on zero : $\pm 0.2\%$ R.O./10°C
Comprehensive error : 0.05%F.S	Temp. effect on output : $\pm 0.1\%$ R.O./10°C
Zero output : ± 0.5 mV/V	Operating temperature range : -10°C ~ +60°C
Nonlinear : 0.05%F.S	Insulation resistance : ≥ 2000 M Ω
Repeatability : 0.05%F.S	Safe load limit : 150%F.S
Lagging : 0.05%F.S	Bridge voltage : Advise 10VDC
Input resistance : 1000 ± 10 Ω	Material : Manganese Steel
Output resistance : 1000 ± 10 Ω	Wiring code : Red, Black, White