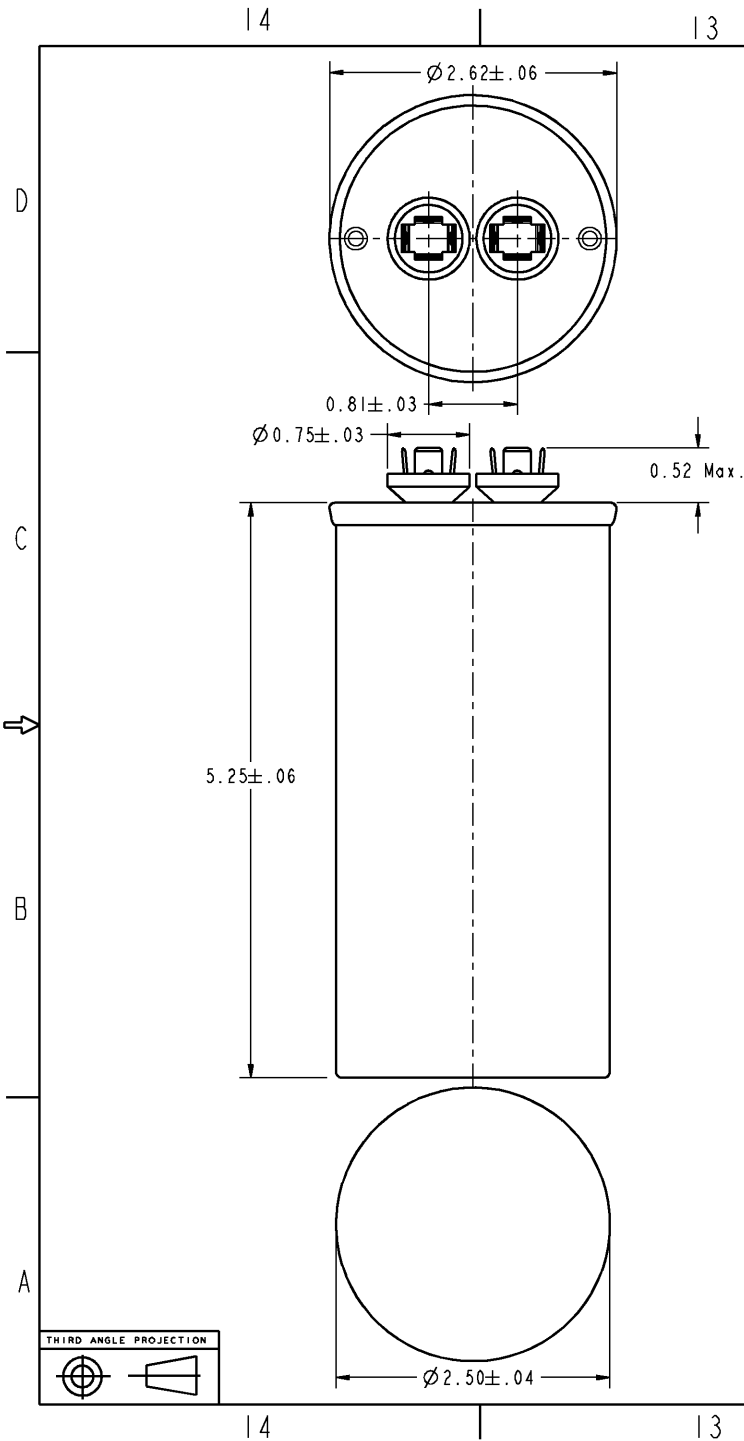


DATE: 28-Nov-05 18:15:02

OBJECT: CAPACITOR\_ASM\_DWG

NAME: 501221413

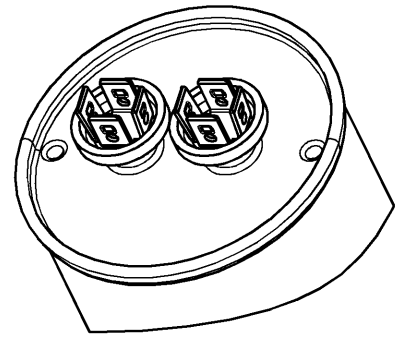
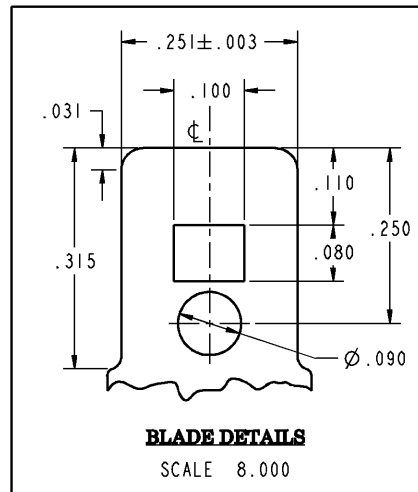


RBC PROPRIETARY AND CONFIDENTIAL INFORMATION

This document is the property of REGAL BELOIT CORPORATION ("RBC") including its subsidiaries and divisions and contains proprietary information of RBC. This document is loaned on the express condition that neither it nor the information contained hereon shall be disclosed in whole or in part without the written consent of RBC, and that the information shall be used by the recipient only as ordered expressly by RBC. This document shall be returned to RBC upon its request. This document may be subject to certain restrictions under U.S. export control laws and regulations.

SIZE DRAWING NO. 27L322 REV I SHEET 1

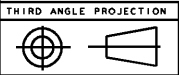
REVISIONS			
REV.	DESCRIPTION	DATE	APPROVED
1	Modified per ECN NO. 0627.	11/11/05	HV



**SPECIFICATIONS:**

"GEM-III Capacitors are manufactured with High Grade Metallized Polypropylene Film"

Main Capacitance	: 80.00 $\mu$ F $\pm$ 6%
Secondary Capacitance	: NIL
Volts	: 440AC
Leakage Current	: 30 $\mu$ A Max.
Frequency	: 50/60 HZ
Operating Temperature	: -40 DEG C TO 70 DEG C
Storage Temperature	: -40 DEG C TO 90 DEG C
Operative Life	: 60,000 HRS WITH 94% SURVIVAL
Dissipation Factor	: 0.1% MAX.
Case Material	: ALUMINIUM
Cover Material	: TERMPLETE
Terminals	: 0.250" x 0.031" Quick Connect Blades
Dielectric Fluid	: DIELEKTROL VI
Internal Protection	: UL RECOGNIZED PRESSURE SENSITIVE INTERRUPTER



FOR ADDITIONAL INFO REFER TO:	SIGNATURES	DATE
APPLIED PRACTICES	MODEL RAGHU.P.H	05/22/03
UNLESS OTHERWISE SPECIFIED DIMENSIONS ARE IN INCHES	DETAIL RAGHU.P.H	05/22/03
TOLERANCE ON:	CHECKED RAGHU.P.H	05/27/03
1 PL DECIMALS $\pm$ 0.1	ENGRG	-
2 PL DECIMALS $\pm$ 0.01	MFG	-
3 PL DECIMALS $\pm$ 0.001	QUALITY	-
ANGLES $\pm$ 0.5	ISSUED	-
FRACTIONS $\pm$		
FINISH	<input checked="" type="checkbox"/>	
MATERIAL	SOLID MODEL: CAPACITOR_ASSEMBLY	

**REGAL BELOIT CORPORATION**

**GEM III CAPACITOR OUTLINE DRAWING**

SIZE DRAWING: C 27L322 REV I

SCALE: 1.250 REF. No. SHEET 1 OF 1