

Gen Purpose AC Capacitors – GEM III

660 VAC (Series Section)

This series of GEM III is **designed specifically for general purpose applications in power supplies, UPS, and power conversation equipment.** Application Data is provided starting on page 23 that gives the Equivalent Series Resistance (ESR) for these units. This allows the user to calculate the losses for each design / application and to ensure that they are kept within the permissible limits. **Any questions** regarding the suitability of a capacitor for a particular application may be referred to Regal-Beloit Engineers by **contacting your Regal-Beloit sales representative.**

SPECIFICATIONS:

- Available Capacitance Range:** 2 to 45µF
- Capacitance Tolerance:** ±6%
- Capacitance Variation with Temperature:** See Chart E-3 on page 27.
- Rated Voltage:** See Rating Tables. Rating is the 60Hz RMS voltage for a sinusoidal waveform. For other waveforms refer to the Application Note on page 23.
- Leakage Current:** 30µA maximum
- Frequency:** 50/60 Hz. For higher frequencies refer to the Application Note on page 24.
- Operating Temperature:** -40°C to +70°C
- Storage Temperature:** -40°C to +90°C
- Operating Life:** 60,000 hours with 94% survival
(In accordance with the EIA-456 Industry Standard)
- Dissipation Factor:** 0.1% maximum
- Case Material/Finish:** Unpainted Aluminum Case, Tin Plated Steel Cover.
- Terminations:** ‘Combo’ terminal: 0.250” x 0.031” quick connect blades
- Dielectric Fluid:** Dielektrol VI
- Internal Protection:** UL recognized Pressure Sensitive Interrupter. See Ratings Table for Regal-Beloit’s UL Code Number listed under Regal-Beloit’s UL File E322597. For UL submittals with these capacitors, use the RBC ‘Pxxx’ number not the Catalog Number. The corresponding generic UL designation that includes the Available Faults Current (AFC) rating is given below. All these capacitors are capable of interrupting available fault currents of up to 1,000 amperes.

Case Style	RBC Code	Generic UL Code
A	P851	A1000AFC
B	P852	B1000AFC
C	P853	C1000AFC

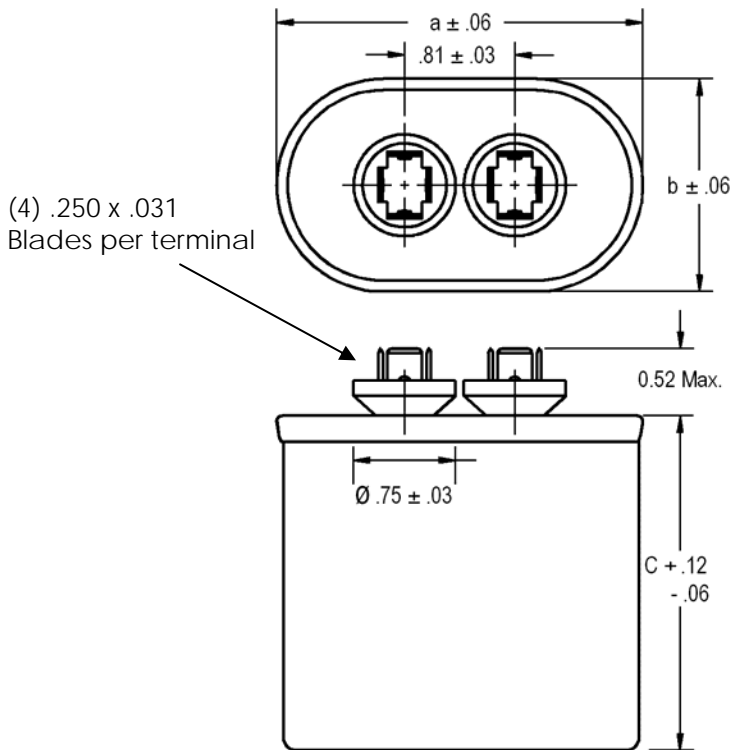


Gen Purpose AC Capacitors – GEM III

Single Ratings – 1 Section

Voltage (VAC)	Capacitance (µF)	Catalog Number	Case Style	Base Size (in.)	Can Type	Height C (in.)	UL Code
660	2.0	27L6095	A	1.25	Oval	3.88	P851
	2.5	27L6093	A	1.25	Oval	3.88	P851
	3.0	27L6094	A	1.25	Oval	3.88	P851
	4.0	27L6012	A	1.25	Oval	3.88	P851
	5.0	27L6013	A	1.25	Oval	3.88	P851
	6.0	27L6014	A	1.25	Oval	4.75	P851
	7.0	27L6015	A	1.25	Oval	4.75	P851
	8.0	27L6016	A	1.25	Oval	4.75	P851
	10.0	27L6017	B	1.50	Oval	3.88	P852
	12.0	27L6018	B	1.50	Oval	4.75	P852
	15.0	27L6073	C	1.75	Oval	4.75	P853
	18.0	27L6089	D	2.00	Oval	3.88	P854
	20.0	27L6082	D	2.00	Oval	4.75	P854
	25.0	27L6022	D	2.00	Oval	4.75	P854
30.0	27L6023	D	2.00	Oval	4.75	P854	

Case Style A, B, C, and D



Case Style	a	b
A	2.16	1.31
B	2.69	1.56
C	2.91	1.91
D	3.66	1.97

*It is **Regal-Beloit's** goal to serve you with the **most cost effective** and **highest quality capacitor** designs. Standardization to the catalog type shown is a major program at Regal-Beloit. However, Regal-Beloit remains sensitive to your needs and requirements, and **will continue to offer the above ratings (and more) in case configurations to meet your application(s).**

