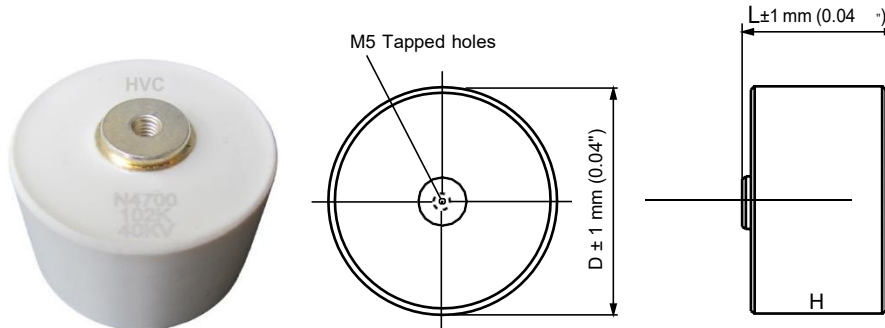


High Voltage Ceramic Disc DC Capacitors, Screw Terminal Mounting, 10 kV_{DC} to 120 kV_{DC}



USAGE

Mainly used in high peak current and high repetition rate circuit. Such as: high voltage doubler, voltage protection, decoupling circuits, laser generator, switching circuits, welding equipment, exchange limit, DC storage, high-frequency coupling, AC and DC filtering applications.

FEATURES

- Low dissipation factor of 0.2 % at 20kHz to 1000kHz
- N4700 (T3M) Class 1, strontium-based ceramic dielectric
- Negligible piezoelectric/electrostatic effect
- Screw terminal mounting

DIELECTRIC STRENGTH

150 % of rated voltage in oil, charging current limited to 50mA

DISSIPATION FACTOR $\tan \delta$

N4700: $\leq 2 \times 10^{-3}$ (1 kHz)

INSULATION RESISTANCE

Min. 200 000 M Ω at 25 °C

CORONA LIMIT

< 5 pC at rated AC voltage

OPERATING TEMPERATURE RANGE

- 30 °C to + 85 °C : N4700, Y5T, Y5U, Y5V

APPLICATIONS

- High voltage power supplies
- CO₂ lasers
- X-ray equipment
- Welding equipment
- Medical industrial equipment

CAPACITANCE RANGE

100 pF to 15000 pF

RATED VOLTAGE

- 10 000 V_{DC} (4000 V_{RMS})
- 15 000 V_{DC} (6000 V_{RMS})
- 20 000 V_{DC} (8000 V_{RMS})
- 30 000 V_{DC} (10 000 V_{RMS})
- 40 000 V_{DC} (13 000 V_{RMS})

CERAMIC DIELECTRIC

N4700 (Class 1), Y5U(Class 2), Y5T(Class 2),

MATERIAL

Capacitor elements made from Class 1&2 ceramic in a molded epoxy case. Screw terminals: brass, silver plated.

POWER DISSIPATION

Limit to 25 °C rise above ambient, measured on case

CAPACITANCE TOLERANCES

$\pm 10 \%$, $\pm 20 \%$



High Voltage Ceramic Disc DC Capacitors, Screw Terminal Mounting, 10 kV_{DC} to 120 kV_{DC}

D=Diameter, H=Height, L=Length, M=Metric

No.	Part Number	Remark	Temp. coefficient	Rated Voltage	Capacitance		Dimensions (mm)			
				(KV)	Cap (pF)	Tol(%)	D	H	L	M
1	HVCT8G-10KV-DL30-561K	10KV 560PF	N4700	10	560	10	30	15	19	M4
2	HVCT8G-10KV-DL30-102K	10KV 1000PF	N4700	10	1000	10	30	15	19	M4
3	HVCT8G-10KV-DL30-122K	10KV 1200PF	N4700	10	1200	10	30	15	19	M4
4	HVCT8G-10KV-DL40-222K	10KV 2200PF	N4700	10	2200	10	40	15	19	M4
5	HVCT8G-10KV-DL40-282K	10KV 2800PF	N4700	10	2800	10	40	14	18	M4
6	HVCT8G-10KV-E30-322M	10KV 3200PF	Y5U	10	3200	20	30	15	19	M4
7	HVCT8G-10KV-E40-472M	10KV 4700PF	Y5U	10	4700	20	40	15	19	M4
8	HVCT8G-10KV-DL50-502M	10KV 5000PF	N4700	10	5000	20	50	14	18	M5
9	HVCT8G-10KV-E40-562M	10KV 5600PF	Y5U	10	5600	20	40	14	18	M4
10	HVCT8G-10KV-DL60-802M	10KV 8000PF	N4700	10	8000	20	60	15	20	M5
11	HVCT8G-15KV-DL30-251K	15KV 250PF	N4700	15	250	10	30	20	24	M4
12	HVCT8G-15KV-DL30-291K	15KV 290PF	N4700	15	290	10	30	20	24	M4
13	HVCT8G-15KV-DL30-371K	15KV 370PF	N4700	15	370	10	30	18	22	M4
14	HVCT8G-15KV-DL30-501K	15KV 500PF	N4700	15	500	10	30	16	20	M4
15	HVCT8G-15KV-DL30-561K	15KV 560PF	N4700	15	560	10	30	15	19	M4
16	HVCT8G-15KV-DL30-781K	15KV 750PF	N4700	15	780	10	30	16	20	M4
17	HVCT8G-15KV-DL30-102K	15KV 1000PF	N4700	15	1000	10	30	15	19	M4
18	HVCT8G-15KV-DL30-112K	15KV 1100PF	N4700	15	1100	10	30	15	19	M4
19	HVCT8G-15KV-DL30-122K	15KV 1200PF	N4700	15	1200	10	30	15	19	M4
20	HVCT8G-15KV-DL40-152M	15KV 1500PF	N4700	15	1500	20	40	18	22	M4
21	HVCT8G-15KV-DL40-182M	15KV 1800PF	N4700	15	1800	20	40	15	19	M4
22	HVCT8G-15KV-DL40-192M	15KV 1900PF	N4700	15	1900	20	40	15	19	M4
23	HVCT8G-15KV-E30-202M	15KV 2000PF	Y5U	15	2000	20	30	17	21	M4
24	HVCT8G-15KV-E30-222M	15KV 2200PF	Y5U	15	2200	20	30	16	20	M4
25	HVCT8G-15KV-E30-252M	15KV 2500PF	Y5U	15	2500	20	30	15	19	M4
26	HVCT8G-15KV-E30-272M	15KV 2700PF	Y5U	15	2700	20	30	15	19	M4
27	HVCT8G-15KV-E30-302M	15KV 3000PF	Y5U	15	3000	20	30	16	20	M4
28	HVCT8G-15KV-E55-322M	15KV 3200PF	Y5U	15	3200	20	55	17	22	M5
29	HVCT8G-15KV-E30-332M	15KV 3300PF	Y5U	15	3300	20	30	15	19	M4
30	HVCT8G-15KV-E30-342M	15KV 3400PF	Y5U	15	3400	20	30	15	19	M4
31	HVCT8G-15KV-E30-372M	15KV 3700PF	Y5U	15	3700	20	30	16	20	M4
32	HVCT8G-15KV-E30-402M	15KV 4000PF	Y5U	15	4000	20	30	16	20	M4
33	HVCT8G-15KV-E40-472M	15KV 4700PF	Y5U	15	4700	20	40	15	19	M4
34	HVCT8G-15KV-E40-502M	15KV 5000PF	Y5U	15	5000	20	40	15	19	M4
35	HVCT8G-15KV-E40-532M	15KV 5300PF	Y5U	15	5300	20	40	15	19	M4
36	HVCT8G-15KV-E40-562M	15KV 5600PF	Y5U	15	5600	20	40	15	19	M4
37	HVCT8G-15KV-E40-702M	15KV 7000PF	Y5U	15	7000	20	40	15	19	M4



High Voltage Ceramic Disc DC Capacitors, Screw Terminal Mounting, 10 kV_{DC} to 120 kV_{DC}

No.	Part Number	Remark	Temp. coefficient	Rated Voltage	Capacitance		Dimensions (mm)			
				(KV)	Cap	Tol(%)	D	H	L	M
38	HVCT8G-15KV-E50-103M	15KV 10000PF	Y5U	15	10000	20	50	15	19	M5
39	HVCT8G-20KV-DL30-201K	20KV 200PF	N4700	20	200	10	30	17	21	M4
40	HVCT8G-20KV-DL30-281K	20KV 280PF	N4700	20	280	10	30	19	23	M4
41	HVCT8G-20KV-DL30-401K	20KV 400PF	N4700	20	400	10	30	17	21	M4
42	HVCT8G-20KV-DL30-501K	20KV 500PF	N4700	20	500	10	30	18	22	M4
43	HVCT8G-20KV-DL30-561K	20KV 560PF	N4700	20	560	10	30	19	23	M4
44	HVCT8G-20KV-DL30-601K	20KV 600PF	N4700	20	600	10	30	18	22	M4
45	HVCT8G-20KV-DL30-701K	20KV 700PF	N4700	20	700	10	30	17	21	M4
46	HVCT8G-20KV-DL30-751K	20KV 750PF	N4700	20	750	10	30	19	23	M4
47	HVCT8G-20KV-DL30-881K	20KV 880PF	N4700	20	880	10	30	17	21	M4
48	HVCT8G-20KV-DL40-102K	20KV 1000PF	N4700	20	1000	10	40	20	24	M4
49	HVCT8G-20KV-DL40-132K	20KV 1300PF	N4700	20	1300	20	40	19	23	M4
50	HVCT8G-20KV-DL40-142K	20KV 1400PF	N4700	20	1400	10	40	19	23	M4
51	HVCT8G-20KV-DL40-152K	20KV 1500PF	N4700	20	1500	10	40	18	22	M4
52	HVCT8G-20KV-DL40-172M	20KV 1700PF	N4700	20	1700	20	40	19	23	M4
53	HVCT8G-20KV-DL50-202K	20KV 2000PF	N4700	20	2000	10	50	20	24	M5
54	HVCT8G-20KV-DL50-222K	20KV 2200PF	N4700	20	2200	10	50	18	22	M5
55	HVCT8G-20KV-DL50-242K	20KV 2400PF	N4700	20	2400	10	50	18	22	M5
56	HVCT8G-20KV-DL50-252K	20KV 2500PF	N4700	20	2500	10	50	17	21	M5
57	HVCT8G-20KV-DL50-282K	20KV 2800PF	N4700	20	2800	10	50	18	22	M5
58	HVCT8G-20KV-DL50-302M	20KV 3000PF	N4700	20	3000	20	50	18	22	M5
59	HVCT8G-20KV-DL50-332M	20KV 3300PF	N4700	20	3300	20	50	19	23	M5
61	HVCT8G-20KV-E50-332M	20KV 3300PF	Y5U	20	3300	20	50	18	22	M5
62	HVCT8G-20KV-DL50-372M	20KV 3700PF	N4700	20	3700	20	50	18	22	M5
63	HVCT8G-20KV-DL60-402M	20KV 4000PF	N4700	20	4000	20	60	17	22	M5
64	HVCT8G-20KV-E50-472M	20KV 4700PF	Y5U	20	4700	20	50	18	22	M5
65	HVCT8G-20KV-DL60-482M	20KV 4800PF	N4700	20	4800	20	60	19	23	M5
66	HVCT8G-20KV-DL60-522M	20KV 5200PF	N4700	20	5200	20	60	17	22	M5
67	HVCT8G-20KV-DL60-562M	20KV 5600PF	N4700	20	5600	20	60	17	22	M5
68	HVCT8G-20KV-E50-682M	20KV 6800PF	Y5U	20	6800	20	50	17	21	M5
69	HVCT8G-20KV-D60-103M	20KV 10000PF	Y5T	20	10000	20	60	18	23	M5
70	HVCT8G-20KV-F60-303M	20KV 30000PF	Y5V	20	30000	20	60	28	33	M5
71	HVCT8G-30KV-DL30-191K	30KV 190PF	N4700	30	190	10	30	20	24	M4
72	HVCT8G-30KV-DL30-201K	30KV 200PF	N4700	30	200	10	30	19	23	M4
73	HVCT8G-30KV-DL30-261K	30KV 260PF	N4700	30	260	10	30	19	23	M4
74	HVCT8G-30KV-DL30-401K	30KV 400PF	N4700	30	400	10	30	20	24	M4



High Voltage Ceramic Disc DC Capacitors, Screw Terminal Mounting, 10 kV_{DC} to 120 kV_{DC}

No.	Part Number	Remark	Temp. coefficient	Rated Voltage	Capacitance		Dimensions (mm)			
				(KV)	Cap (pF)	Tol(%)	D	H	L	M
75	HVCT8G-30KV-DL30-501K	30KV 500PF	N4700	30	500	10	30	20	24	M4
76	HVCT8G-30KV-DL30-561K	30KV 560PF	N4700	30	560	10	30	19	23	M4
77	HVCT8G-30KV-DL30-581K	30KV 580PF	N4700	30	580	10	30	21	25	M4
78	HVCT8G-30KV-DL30-591M	30KV 590PF	N4700	30	590	20	30	21	25	M4
79	HVCT8G-30KV-DL30-701K	30KV 700PF	N4700	30	700	10	30	19	23	M4
80	HVCT8G-30KV-DL30-781K	30KV 780PF	N4700	30	780	10	30	20	24	M4
81	HVCT8G-30KV-DL40-821K	30KV 820PF	N4700	30	820	10	40	22	26	M4
82	HVCT8G-30KV-DL40-941K	30KV 940PF	N4700	30	940	10	40	23	27	M4
83	HVCT8G-30KV-DL40-102K	30KV 1000PF	N4700	30	1000	10	40	22	26	M4
84	HVCT8G-30KV-DL40-1121K	30KV 1120PF	N4700	30	1120	10	40	21	25	M4
85	HVCT8G-30KV-DL40-122M	30KV 1200PF	N4700	30	1200	20	40	20	24	M4
86	HVCT8G-30KV-DL40-152M	30KV 1500PF	N4700	30	1500	20	40	20	24	M4
87	HVCT8G-30KV-DL50-172K	30KV 1700PF	N4700	30	1700	10	50	21	25	M5
88	HVCT8G-30KV-DL50-182M	30KV 1800PF	N4700	30	1800	20	50	20	24	M5
89	HVCT8G-30KV-DL50-202K	30KV 2000PF	N4700	30	2000	10	50	20	24	M5
90	HVCT8G-30KV-DL50-212K	30KV 2100PF	N4700	30	2100	10	50	19	23	M5
91	HVCT8G-30KV-DL50-222K	30KV 2200PF	N4700	30	2200	10	50	21	25	M5
92	HVCT8G-30KV-E50-252M	30KV 2500PF	Y5U	30	2500	20	50	30	34	M5
93	HVCT8G-30KV-DL55-272K	30KV 2700PF	N4700	30	2700	10	55	19	24	M5
94	HVCT8G-30KV-DL55-302K	30KV 3000PF	N4700	30	3000	10	55	20	25	M5
95	HVCT8G-30KV-E40-332M	30KV 3300PF	Y5U	30	3300	20	40	19	23	M4
96	HVCT8G-30KV-E40-352M	30KV 3500PF	Y5U	30	3500	20	40	19	23	M4
97	HVCT8G-30KV-DL55-362M	30KV 3600PF	N4700	30	3600	20	55	20	25	M5
98	HVCT8G-30KV-DL55-372M	30KV 3700PF	N4700	30	3700	20	55	20	25	M5
99	HVCT8G-30KV-DL55-402M	30KV 4000PF	N4700	30	4000	20	55	20	25	M5
100	HVCT8G-30KV-DL60-472M	30KV 4700PF	N4700	30	4700	20	60	20	25	M5
101	HVCT8G-30KV-E50-532M	30KV 5300PF	Y5U	30	5300	20	50	21	25	M5
102	HVCT8G-30KV-E50-592M	30KV 5900PF	Y5U	30	5900	20	50	19	23	M5
103	HVCT8G-40KV-DL30-101K	40KV 100PF	N4700	40	100	10	30	29	33	M4
104	HVCT8G-40KV-DL30-141K	40KV 140PF	N4700	40	140	10	30	27	31	M4
105	HVCT8G-40KV-DL30-151K	40KV 150PF	N4700	40	150	10	30	25	29	M4
106	HVCT8G-40KV-DL30-181K	40KV 180PF	N4700	40	180	10	30	27	31	M4
107	HVCT8G-40KV-DL30-201K	40KV 200PF	N4700	40	200	10	30	26	30	M4
108	HVCT8G-40KV-DL30-301K	40KV 300PF	N4700	40	300	10	30	23	27	M4
109	HVCT8G-40KV-DL30-391K	40KV 390PF	N4700	40	390	10	30	27	31	M4
110	HVCT8G-40KV-DL30-341K	40KV 340PF	N4700	40	340	10	30	26	30	M4



High Voltage Ceramic Disc DC Capacitors, Screw Terminal Mounting, 10 kV_{DC} to 120 kV_{DC}

No.	Part Number	Remark	Temp. coefficient	Rated Voltage	Capacitance		Dimensions (mm)			
				(KV)	Cap (pF)	Tol(%)	D	H	L	M
111	HVCT8G-40KV-DL30-401K	40KV 400PF	N4700	40	400	10	30	27	31	M4
112	HVCT8G-40KV-DL30-441K	40KV 440PF	N4700	40	440	10	30	24	28	M4
113	HVCT8G-40KV-DL30-501K	40KV 500PF	N4700	40	500	10	30	26	30	M4
114	HVCT8G-40KV-DL30-571K	40KV 570PF	N4700	40	570	10	30	24	28	M4
115	HVCT8G-40KV-DL30-561K	40KV 560PF	N4700	40	560	10	30	25	29	M4
116	HVCT8G-40KV-DL40-701K	40KV 700PF	N4700	40	700	10	40	24	28	M4
117	HVCT8G-40KV-DL40-751K	40KV 750PF	N4700	40	750	10	40	26	30	M4
118	HVCT8G-40KV-DL40-781K	40KV 780PF	N4700	40	780	10	40	26	30	M4
119	HVCT8G-40KV-DL40-841K	40KV 840PF	N4700	40	840	10	40	25	29	M4
120	HVCT8G-40KV-DL40-851K	40KV 850PF	N4700	40	850	10	40	24	28	M4
121	HVCT8G-40KV-DL30-921K	40KV 920PF	N4700	40	920	10	30	25	29	M4
122	HVCT8G-40KV-DL40-102K	40KV 1000PF	N4700	40	1000	10	40	25	29	M4
123	HVCT8G-40KV-DL50-122K	40KV 1200PF	N4700	40	1200	10	50	26	30	M5
124	HVCT8G-40KV-DL50-132K	40KV 1300PF	N4700	40	1300	10	50	25	29	M5
125	HVCT8G-40KV-DL50-142K	40KV 1400PF	N4700	40	1400	10	50	27	31	M5
126	HVCT8G-40KV-DL50-152K	40KV 1500PF	N4700	40	1500	10	50	26	30	M5
127	HVCT8G-40KV-E40-162M	40KV 1600PF	Y5U	40	1600	20	40	26	30	M4
128	HVCT8G-40KV-DL50-172K	40KV 1700PF	N4700	40	1700	10	50	24	28	M5
129	HVCT8G-40KV-DL50-192K	40KV 1900PF	N4700	40	1900	10	50	25	29	M5
130	HVCT8G-40KV-DL55-202K	40KV 2000PF	N4700	40	2000	10	55	25	30	M5
131	HVCT8G-40KV-DL60-202K	40KV 2000PF	N4700	40	2000	10	60	29	34	M5
132	HVCT8G-40KV-DL55-222K	40KV 2200PF	N4700	40	2200	10	55	24	29	M5
133	HVCT8G-40KV-DL55-242K	40KV 2400PF	N4700	40	2400	10	55	26	31	M5
134	HVCT8G-40KV-E50-252K	40KV 2500PF	Y5U	40	2500	10	50	26	30	M5
135	HVCT8G-40KV-DL60-272K	40KV 2700PF	N4700	40	2700	10	60	24	29	M5
136	HVCT8G-40KV-E55-332M	40KV 3300PF	Y5U	40	3300	20	55	28	32	M5
137	HVCT8G-40KV-E55-442M	40KV 4400PF	Y5U	40	4400	20	55	25	30	M5
138	HVCT8G-40KV-D60-502M	40KV 5000PF	Y5T	40	5000	20	60	55	60	M5
139	HVCT8G-40KV-DL60-602M	40KV 6000PF	N4700	40	6000	20	60	55	60	M5
140	HVCT8G-40KV-DL60-682M	40KV 6800PF	N4700	40	6800	20	60	55	60	M5
141	HVCT8G-40KV-DL60-702M	40KV 7000PF	N4700	40	7000	20	60	55	60	M5
142	HVCT8G-40KV-DL60-802M	40KV 8000PF	N4700	40	8000	20	60	55	60	M5
143	HVCT8G-50KV-DL30-101K	50KV 100PF	N4700	50	100	10	30	29	33	M4
144	HVCT8G-50KV-DL30-201K	50KV 200PF	N4700	50	200	10	30	31	35	M4
145	HVCT8G-50KV-DL30-281K	50KV 280PF	N4700	50	280	10	30	29	33	M4
146	HVCT8G-50KV-DL30-401K	50KV 400PF	N4700	50	400	10	30	31	35	M4



High Voltage Ceramic Disc DC Capacitors, Screw Terminal Mounting, 10 kV_{DC} to 120 kV_{DC}

No.	Part Number	Remark	Temp. coefficient	Rated Voltage (KV)	Capacitance		Dimensions (mm)			
					Cap	Tol(%)	D	H	L	M
147	HVCT8G-50KV-DL30-411K	50KV 410PF	N4700	50	410	10	30	30	34	M4
148	HVCT8G-50KV-DL40-501K	50KV 500PF	N4700	50	500	10	40	30	34	M4
149	HVCT8G-50KV-DL40-561K	50KV 560PF	N4700	50	560	10	40	32	36	M4
150	HVCT8G-50KV-DL40-701K	50KV 700PF	N4700	50	700	10	40	32	36	M4
151	HVCT8G-50KV-DL40-751K	50KV 750PF	N4700	50	750	10	40	31	35	M4
152	HVCT8G-50KV-DL40-851K	50KV 850PF	N4700	50	850	10	40	28	32	M4
153	HVCT8G-50KV-DL50-911K	50KV 910PF	N4700	50	910	10	50	31	35	M5
154	HVCT8G-50KV-DL50-102K	50KV 1000PF	N4700	50	1000	10	50	29	33	M5
155	HVCT8G-50KV-DL50-132K	50KV 1300PF	N4700	50	1300	10	50	28	33	M5
156	HVCT8G-50KV-DL55-1351K	50KV 1350PF	N4700	50	1350	10	55	28	33	M5
157	HVCT8G-50KV-DL55-152K	50KV 1500PF	N4700	50	1500	10	55	31	36	M5
158	HVCT8G-50KV-DL55-1651K	50KV 1650PF	N4700	50	1650	10	55	28	33	M5
159	HVCT8G-50KV-DL55-172K	50KV 1700PF	N4700	50	1700	10	55	28	33	M5
160	HVCT8G-50KV-DL60-1951K	50KV 1950PF	N4700	50	1950	10	60	31	36	M5
161	HVCT8G-50KV-DL60-212K	50KV 2100PF	N4700	50	2100	10	60	29	34	M5
162	HVCT8G-50KV-DL60-232K	50KV 2300PF	N4700	50	2300	10	60	32	37	M5
163	HVCT8G-50KV-DL60-252K	50KV 2500PF	N4700	50	2500	10	60	30	35	M5
164	HVCT8G-50KV-DL60-272K	50KV 2700PF	N4700	50	2700	10	60	28	33	M5
165	HVCT8G-50KV-DL70-372K	50KV 3700PF	N4700	50	3700	10	70	28	33	M5
166	HVCT8G-50KV-DL80-502M	50KV 5000PF	N4700	50	5000	20	80	75	80	M5
167	HVCT8G-50KV-DL80-602M	50KV 6000PF	N4700	50	6000	20	80	75	80	M5
168	HVCT8G-50KV-DL80-802M	50KV 8000PF	N4700	50	8000	20	80	75	80	M5
169	HVCT8G-60KV-DL40-1950K	60KV 195PF	N4700	60	195	10	40	40	45	M5
170	HVCT8G-60KV-DL40-3750K	60KV 375PF	N4700	60	375	10	40	36	41	M5
171	HVCT8G-60KV-DL50-501K	60KV 500PF	N4700	60	500	10	50	39	44	M5
172	HVCT8G-60KV-DL50-651K	60KV 650PF	N4700	60	650	10	50	38	43	M5
173	HVCT8G-60KV-DL50-701K	60KV 700PF	N4700	60	700	10	50	37	42	M5
174	HVCT8G-60KV-DL50-851K	60KV 850PF	N4700	60	850	10	50	37	42	M5
175	HVCT8G-60KV-DL55-102K	60KV 1000PF	N4700	60	1000	10	55	35	40	M5
176	HVCT8G-60KV-DL55-122K	60KV 1200PF	N4700	60	1200	10	55	36	41	M5
177	HVCT8G-60KV-DL55-142K	60KV 1400PF	N4700	60	1400	10	55	38	43	M5
178	HVCT8G-70KV-E80-103M	70KV 10000PF	Y5U	70	10000	20	80	75	80	M5
179	HVCT8G-80KV-DL80-502M	80KV 5000PF	N4700	80	5000	20	80	75	80	M5
180	HVCT8G-100KV-DL50-501K	100KV 500PF	N4700	100	500	10	50	44	49	M5
181	HVCT8G-100KV-DL50-6751K	100KV 675PF	N4700	100	675	10	50	44	47	M5
182	HVCT8G-100KV-DL50-701K	100KV 700PF	N4700	100	700	10	60	40	45	M5



High Voltage Ceramic Disc DC Capacitors, Screw Terminal Mounting, 10 kV_{DC} to 120 kV_{DC}

No.	Part Number	Remark	Temp. coefficient	Rated Voltage	Capacitance		Dimensions (mm)			
				(KV)	Cap (pF)	Tol(%)	D	H	L	M
183	HVCT8G-100KV-DL60-751K	100KV 750PF	N4700	100	750	10	60	53	58	M5
184	HVCT8G-100KV-DL60-825K	100KV 825PF	N4700	100	825	10	60	53	58	M5
185	HVCT8G-100KV-DL60-102K	100KV 1000PF	N4700	100	1000	10	60	40	45	M5
186	HVCT8G-100KV-D70-202M	100KV 2000PF	Y5T	100	2000	20	70	70	75	M5
187	HVCT8G-100KV-E70-302M	100KV 3000PF	Y5U	100	3000	20	70	49	54	M5
188	HVCT8G-120KV-DL60-102M	120KV 1000PF	N4700	120	1000	10	60	53	58	M5
189	HVCT8G-150KV-DL60-801K	150KV 800PF	N4700	150	800	10	60	47	52	M5
190	HVCT8G-10KVAC-DL30-101K	10Kvac 100PF	N4700	10kvac	100	10	30	16	20	M4
191	HVCT8G-10KVAC-DL30-501K	10Kvac 500PF	N4700	10kvac	500	10	30	15	20	M4
192	HVCT8G-10KVAC-DL30-102K	10Kvac 1000PF	N4700	10kvac	1000	10	30	15	20	M4