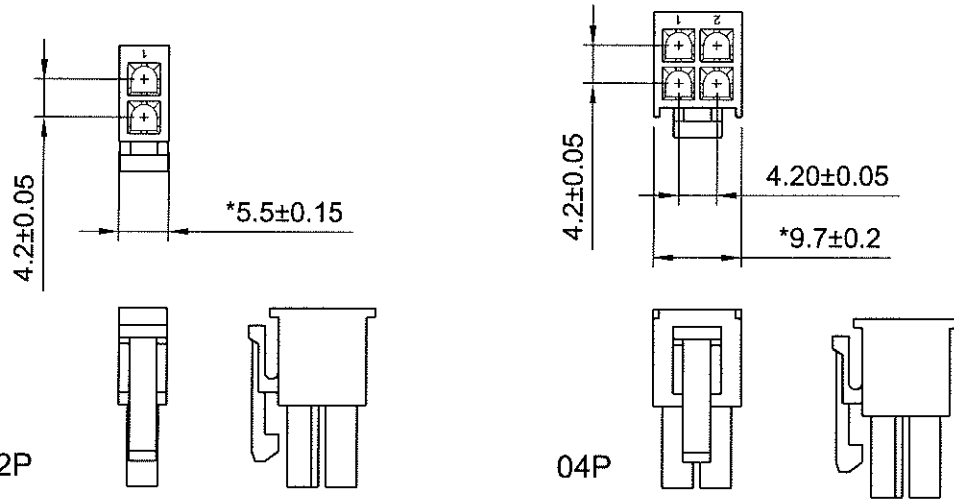


HSF
Compliant



02P

04P

Specifications

Poles : 2 ~ 24

Current & Voltage Rating : 7A & 250V AC, DC max.

Insulation Resistance : 1000 MΩ min.

Dielectric Withstanding : AC 1500V for 1 minute

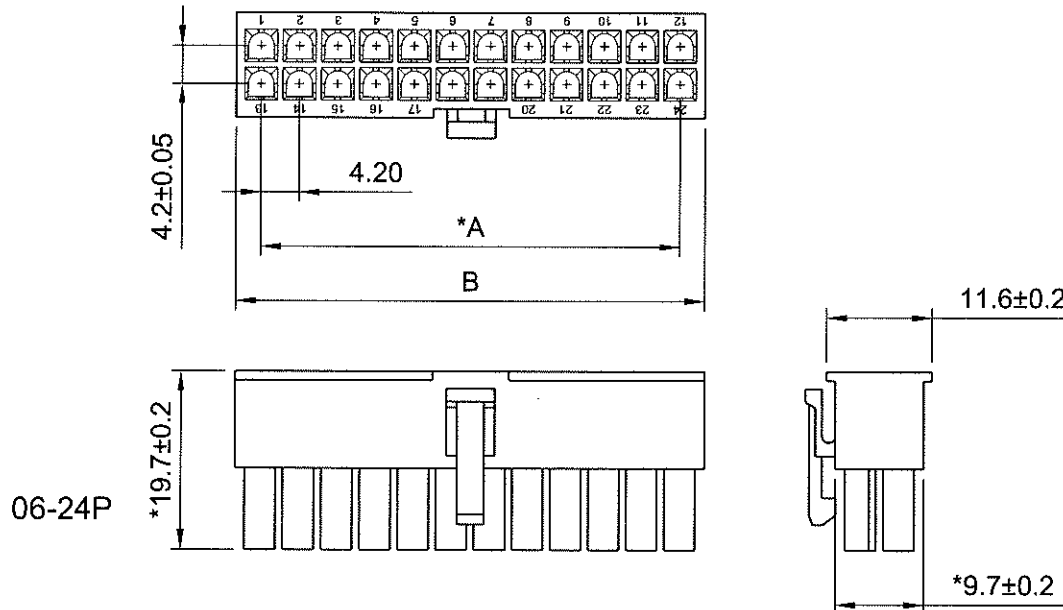
Operating Temperature : -25°C ~ +85°C

Insulator Material : Nylon-66, UL 94V-2 (Nature)

Packing : Bag

4420A-xxM

→ No. of contacts



06-24P

No. of contacts	Dimension	
	A	B
02		5.5
04	4.20	9.7
06	8.40	13.9
08	12.60	18.1
10	16.80	22.3
12	21.00	26.5
14	25.20	30.7
16	29.40	34.9
18	33.60	39.1
20	37.80	43.3
22	42.00	47.5
24	46.20	51.7

Tolerance :

02 ~ 08P : A±0.20, B±0.30

10 ~ 16P : A±0.30, B±0.40

18 ~ 24P : A±0.40, B±0.50

JAWS 兆旭股份有限公司
JAWS CO., LTD.

7F., No.31, Ln. 169, Kangning St., Xizhi Dist.,
New Taipei City 221, Taiwan (R.O.C.)
TEL:886-2-2692-2898
FAX:886-2-2692-2618
Http://www.jaws.com.tw

THIRD ANGLE
PROJECTION

DESIGN UNITS
mm □ INCH

TITLE:

4.2mm Male Housing

GENERAL TOLERANCES:

X. ±0.50
X.X ±0.25
X.XX ±0.20
ANGLE ±N/A

DRAWN

林峻吉

DATE 2012/09/22

SIZE:

A4

SCALE:

FREE

SHEET:

1/1

PARTS NO.:

4420A-xxM

CPN :

DWG NO.:

JAWS-SOP-4420A004

REV.

01

CHECKED

Wang

DATE 2012/09/22

APPROVED

Ases

DATE 2012/09/22

DAN NO.: S10109-048