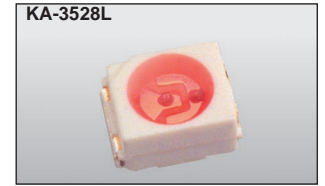
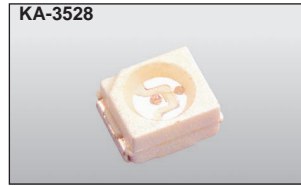
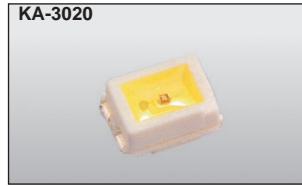
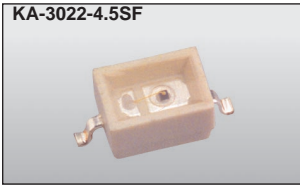


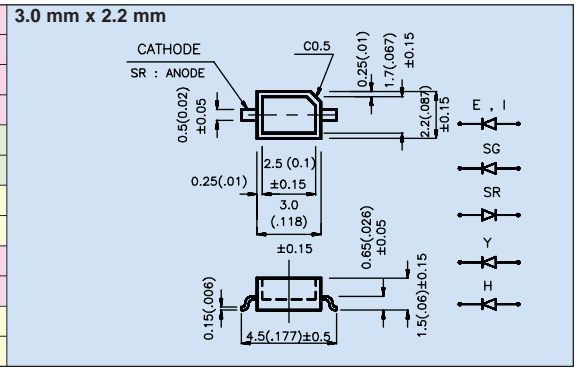
# SURFACE MOUNT LED LAMPS

**Kingbright®**

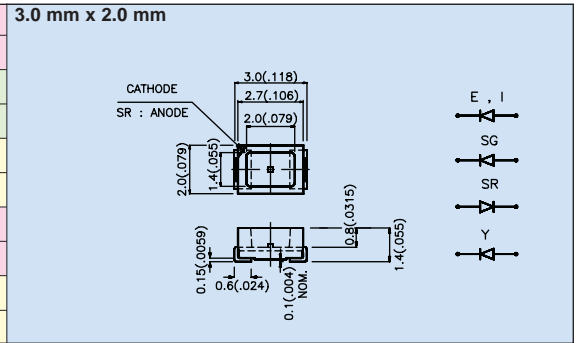


Part No.	Emitting Colour + Material	Wave-length (nm)	Lens Type	Iv (mcd) @20mA *@2mA		Viewing Angle	Dimension
				Min.	Typ.		

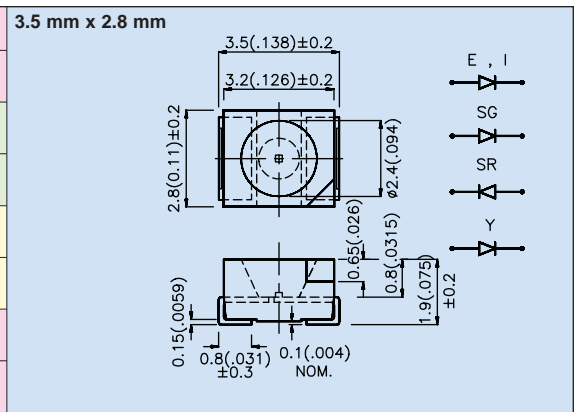
KA-3022HC-4.5SF	GaP	700	water clear	1	4	90°
KA-3022HT-4.5SF	GaP	700	red transparent	1	4	90°
KA-3022EC-4.5SF	GaAsP/GaP	625	water clear	8	60	90°
KA-3022IT-4.5SF	GaAsP/GaP	625	red transparent	8	60	90°
KA-3022SGC-4.5SF	GaP	565	water clear	8	40	90°
KA-3022SGT-4.5SF	GaP	565	green transparent	8	40	90°
KA-3022YC-4.5SF	GaAsP/GaP	590	water clear	8	40	90°
KA-3022YT-4.5SF	GaAsP/GaP	590	yellow transparent	8	40	90°
KA-3022SRC-4.5SF	GaAIAs	660	water clear	70	300	90°
KA-3022SRT-4.5SF	GaAIAs	660	red transparent	70	300	90°
KA-3022SYC-4.5SF	InGaAlP	595	water clear	100	200	90°
KA-3022SYT-4.5SF	InGaAlP	595	yellow transparent	100	200	90°



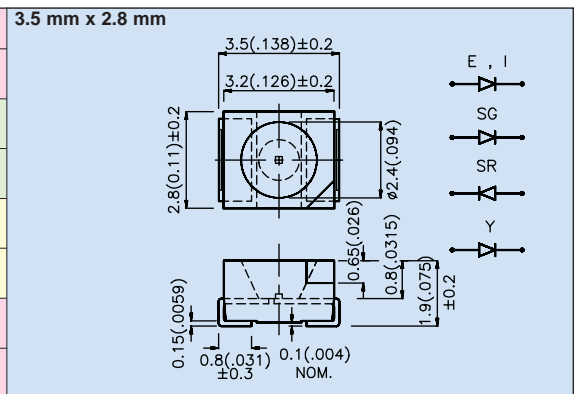
KA-3020EC	GaAsP/GaP	625	water clear	8	60	90°
KA-3020IT	GaAsP/GaP	625	red transparent	8	60	90°
KA-3020SGC	GaP	565	water clear	8	40	90°
KA-3020SGT	GaP	565	green transparent	8	40	90°
KA-3020YC	GaAsP/GaP	590	water clear	8	40	90°
KA-3020YT	GaAsP/GaP	590	yellow transparent	8	40	90°
KA-3020SRC	GaAIAs	660	water clear	70	300	90°
KA-3020SRT	GaAIAs	660	red transparent	70	300	90°
KA-3020SYC	InGaAlP	595	water clear	100	200	90°
KA-3020SYT	InGaAlP	595	yellow transparent	100	200	90°



KA-3528EC	GaAsP/GaP	625	water clear	12,5	40	120°
KA-3528IT	GaAsP/GaP	625	red transparent	12,5	40	120°
KA-3528SGC	GaP	565	water clear	12,5	40	120°
KA-3528SGT	GaP	565	green transparent	12,5	40	120°
KA-3528YC	GaAsP/GaP	590	water clear	8	20	120°
KA-3528YT	GaAsP/GaP	590	yellow transparent	8	20	120°
KA-3528SRC	GaAIAs	660	water clear	70	300	120°
KA-3528SRT	GaAIAs	660	red transparent	70	300	120°



KA-3528LEC	GaAsP/GaP	625	water clear	0,8	2*	120°
KA-3528LIT	GaAsP/GaP	625	red transparent	0,8	2*	120°
KA-3528LSGC	GaP	565	water clear	0,8	2*	120°
KA-3528LSGT	GaP	565	green transparent	0,8	2*	120°
KA-3528LYC	GaAsP/GaP	590	water clear	0,5	0,8*	120°
KA-3528LYT	GaAsP/GaP	590	yellow transparent	0,5	0,8*	120°
KA-3528LSRC	GaAIAs	660	water clear	2	8*	120°
KA-3528LSRT	GaAIAs	660	red transparent	2	8*	120°



**NOTES:**

1. All dimensions are in millimeters (inches)
2. Tolerance is ±0.25 mm (0.01") unless otherwise noted