

# L200TWGR4A

## Hi-Eff Green/Super Red

5mm, Flanged Cylindrical, 8.6mm Height  
50° viewing angle

DWG BY:  
BL / GP  
05-24-07

CHK BY:  
PL  
01-17-08

QA:  
\_\_\_\_\_  
\_\_-\_\_-\_\_

MFG:  
\_\_\_\_\_  
\_\_-\_\_-\_\_

REVISION LTR: -

01-17-08

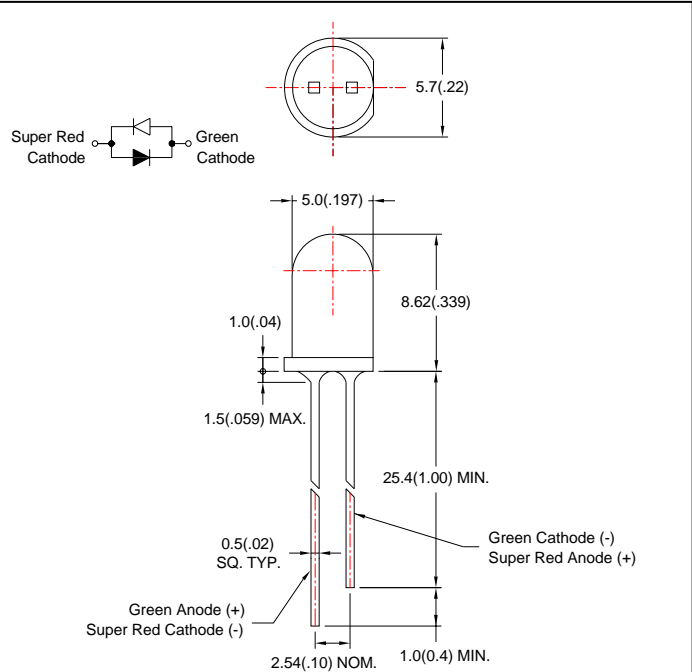
● **Features:**

1. Chip material: GaP/GaP(Green) and GaAlAs/GaAs(Super Red)
2. Emitted color : Green and Super Red
3. Lens Appearance : White Diffused
4. Low power consumption.
5. High efficiency.
6. Versatile mounting on P.C. Board or panel.
7. Low current requirement.
8. 5mm diameter package
9. This product is RoHS compliant.

● **Applications:**

1. TV set
2. Monitor
3. Telephone
4. Computer
5. Circuit board

● **Package dimensions:**



Notes:

1. All dimensions are in millimeters (inches).
2. Tolerance is  $\pm 0.25\text{mm}$  (0.01") unless otherwise specified.
3. Lead spacing is measured where the leads emerge from the package.
4. Specifications are subject to change without notice.

● **Absolute Maximum Ratings(Ta=25°C)**

Parameter	Symbol	Green	Super Red	Unit
Power Dissipation	Pd	80	80	mW
Forward Current	I <sub>F</sub>	30	30	mA
Peak Forward Current* <sup>1</sup>	I <sub>FP</sub>	150	150	mA
Reverse Voltage	V <sub>R</sub>	5		V
Operating Temperature	Topr	-40°C ~80°C		
Storage Temperature	Tstg	-40°C ~85°C		
Soldering Temperature	Tsol	260°C (for 5 seconds)		

\*<sup>1</sup>Condition for I<sub>FP</sub> is pulse of 1/10 duty and 0.1msec width.

● **Electrical and optical characteristics(Ta=25°C)**

Parameter	Symbol	Condition	Color	Min.	Typ.	Max.	Unit
Forward Voltage	V <sub>F</sub>	I <sub>F</sub> =20mA	Hi-Eff Green Super Red	-	2.2 1.8	2.6 2.6	V
Luminous Intensity	I <sub>v</sub>	I <sub>F</sub> =20mA	Hi-Eff Green Super Red	-	65 50	-	mcd
Reverse Current	I <sub>R</sub>	V <sub>R</sub> =5V	Hi-Eff Green Super Red	-	-	100	μA
Peak Wave Length	λ <sub>p</sub>	I <sub>F</sub> =20mA	Hi-Eff Green Super Red	- -	565 656	- -	nm
Dominant Wave Length	λ <sub>d</sub>	I <sub>F</sub> =20mA	Hi-Eff Green Super Red	- -	570 642	- -	nm
Spectral Line Half-width	Δλ	I <sub>F</sub> =20mA	Hi-Eff Green Super Red	- -	30 24	-	nm
Viewing Angle	2θ <sub>1/2</sub>	I <sub>F</sub> =20mA	Hi-Eff Green Super Red	-	50	-	deg
Chromaticity Coordinates	X	I <sub>F</sub> =20mA	Hi-Eff Green	-	0.44	-	
	Y				0.55		
Chromaticity Coordinates	X	I <sub>F</sub> =20mA	Super Red	-	0.72	-	
	Y				0.28		

● **Typical Electro-Optical Characteristics Curves**

