

LM4500A High Fidelity FM Stereo Demodulator with Blend

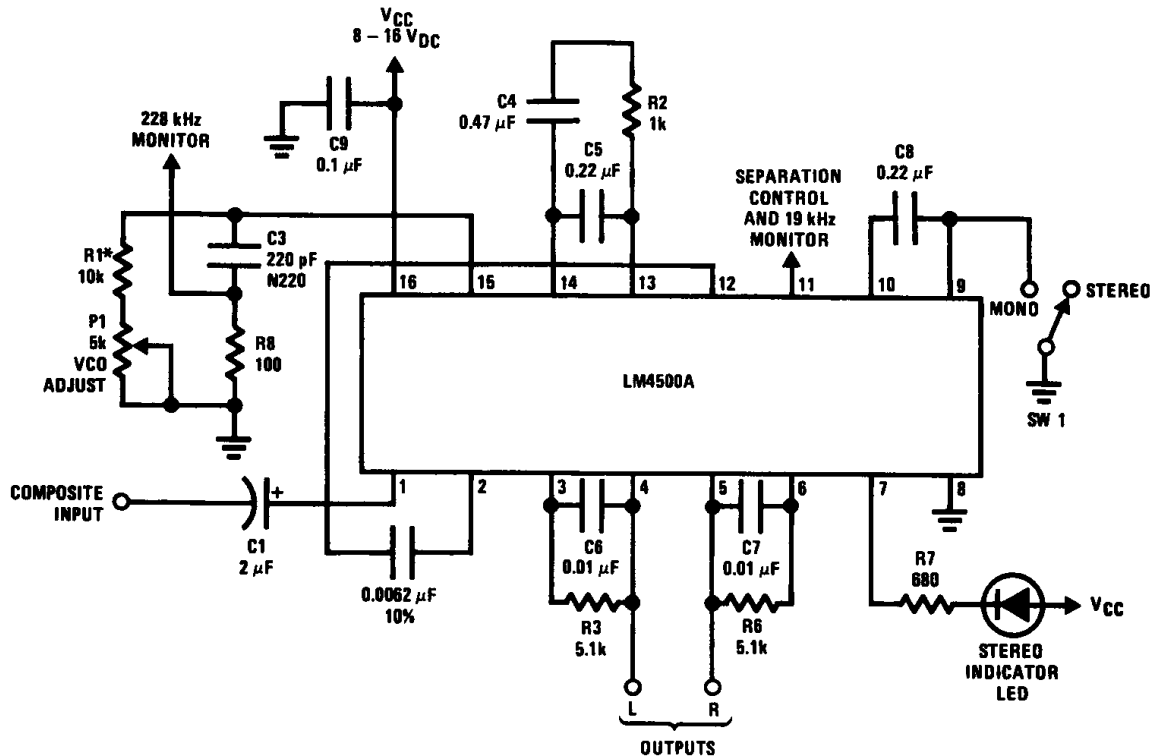
General Description

The LM4500A is an improved stereo demodulator IC offering very low audio distortion. A new demodulator technique minimizes adjacent station interference caused by subcarrier harmonics and prevents lock-up problems from pilot carrier frequency harmonics. The IC features a blend circuit which optimizes the signal-to-noise ratio under weak signal conditions by gradually combining left and right channel information.

Features

- Low distortion—0.1% typ
- High subcarrier harmonic rejection
- Large input dynamic range—2.5 V_{p-p}
- Voltage controlled blend
- High separation—fixed or adjustable
- Adjustable gain
- Reduced stereo-mono DC shift—5 mV typ
- 55 dB supply ripple rejection
- Low output impedance
- Requires no external inductors
- Wide supply range 8V-16V
- Excellent rejection of 57 kHz ARI subcarrier

Typical Application



*Metal film, zero temperature coefficient resistor recommended

TL/H/7973-1

FIGURE 1

Order Number LM4500AN
See NS Package Number N16A

Absolute Maximum Ratings

If Military/Aerospace specified devices are required, please contact the National Semiconductor Sales Office/Distributors for availability and specifications.

Power Supply Voltage	16V
Power Dissipation (Package Limitation)	1800 mW
Derate above $T_A = +25^\circ\text{C}$	15 mW/ $^\circ\text{C}$
Operating Temperature Range (Ambient)	-40°C to $+85^\circ\text{C}$

Storage Temperature Range	-65°C to $+150^\circ\text{C}$
Lamp Drive Voltage	
Max Voltage at Pin 7 with Lamp "Off"	30V
Lamp Current	100 mA
Blend Control Input Voltage (Pin 11)	10V
Lead Temperature (Soldering, 10 sec.)	260 $^\circ\text{C}$

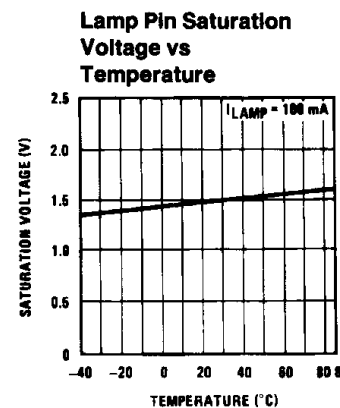
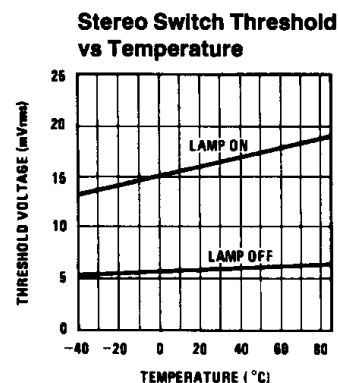
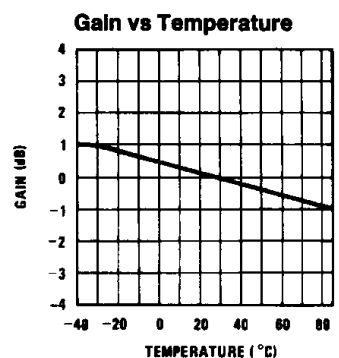
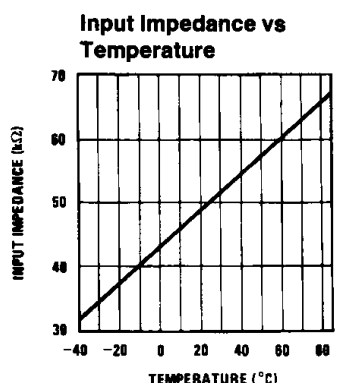
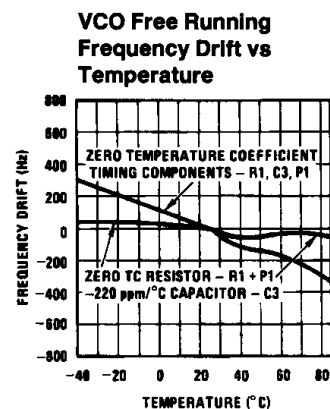
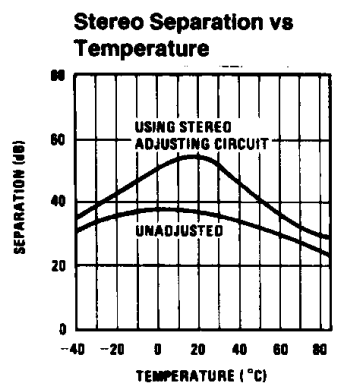
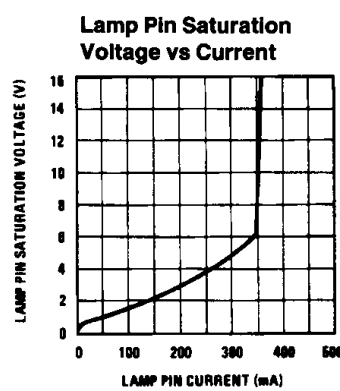
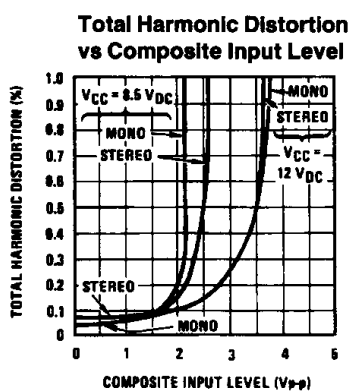
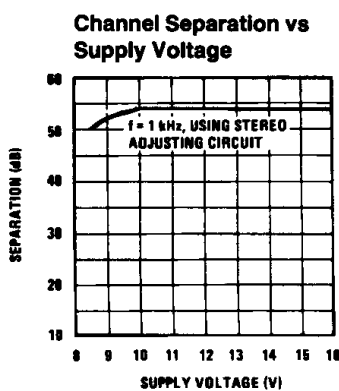
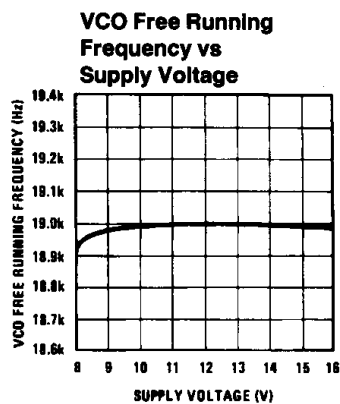
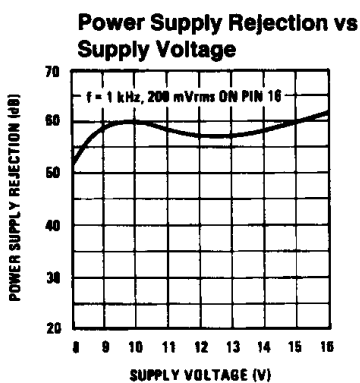
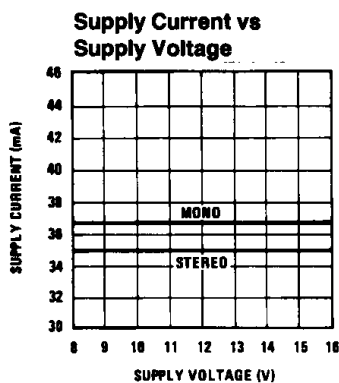
Electrical Characteristics Unless otherwise noted: $V_{CC} = 12 V_{DC}$, $T_A = 25^\circ\text{C}$, Vp-p standard multiplex composite signal with L or R channel only modulated at 1.0 kHz and with 10% pilot level, using circuit of *Figure 1*

Parameter	Conditions	Min	Typ	Max	Units
Stereo Channel Separation	Unadjusted	30			dB
	Optimized on Other Channel (Note 1)	40			dB
Measured Voltage Gain (Note 1)		0.8	1	1.2	
THD	2.5 Vp-p Composite Input Signal		0.15	0.3	%
	1.5 Vp-p Composite Input Signal		0.08		%
Signal-to-Noise Ratio	DIN45405 Quasi Peak Reading rms 20 Hz-15 kHz		83		dB
			88		dB
Ultrasonic Frequency Rejection	19 kHz		31		dB
	38 kHz		45		dB
Stereo Switch Level	19 kHz Input Level for Lamp "On"	12	16	20	mVrms
Hysteresis			8		dB
Output Voltage Change	With Mono/Stereo Switching (Note 2)		3	20	mV _{DC}
Stereo Blend Control Voltage (Pin 11) (See <i>Figure 8</i>)	3 dB Separation		0.7		V
	30 dB Separation		1.7		V
Minimum Separation	Pin 11 at 0V			1	dB
Monaural Channel Imbalance	Pilot Tone Off		0.03	0.3	dB
Sub-Carrier Harmonic Rejection	76 kHz		80		dB
	114 kHz		70		dB
	152 kHz		83		dB
Supply Ripple Rejection	$f = 1 \text{ kHz}$		57		dB
Input Impedance			50		k Ω
Output Impedance			100		Ω
Blend Control Current (Note 1)			-100	-300	μA
Capture Range			± 4		%
Operating Supply Voltage		8		16	V
Current Drain	Lamp Disconnected		35		mA

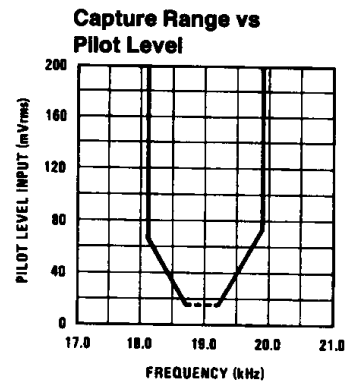
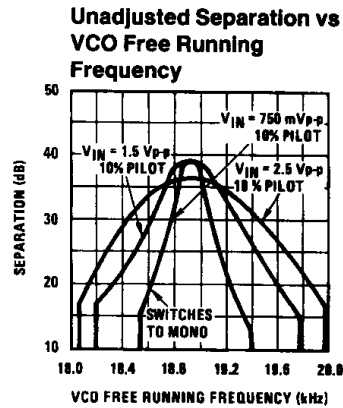
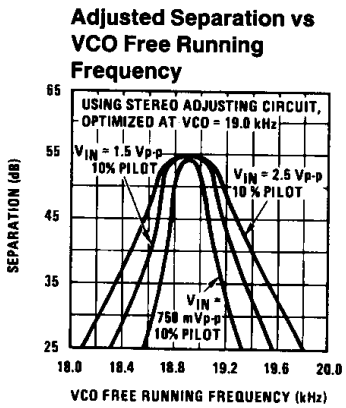
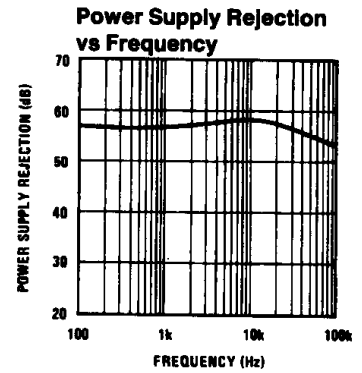
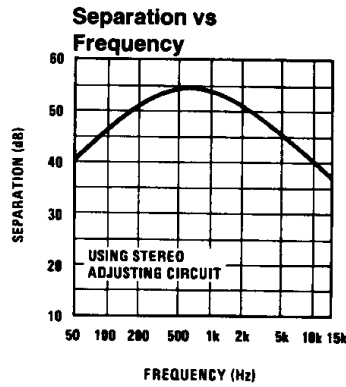
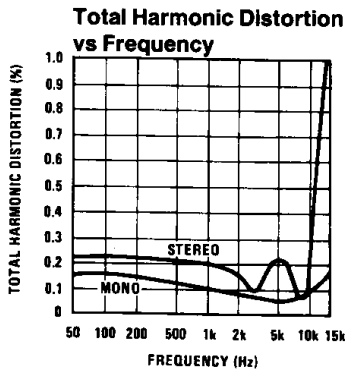
Note 1: See Applications Information and Circuit Description.

Note 2: This test is done with the stereo indicator lamp disconnected in order to remove DC shift due to thermal changes. These shifts have long time constants (100 ms) and therefore do not produce audible transients.

Typical Performance Characteristics



Typical Performance Characteristics (Continued)



TL/H/7973-3

Block Diagram

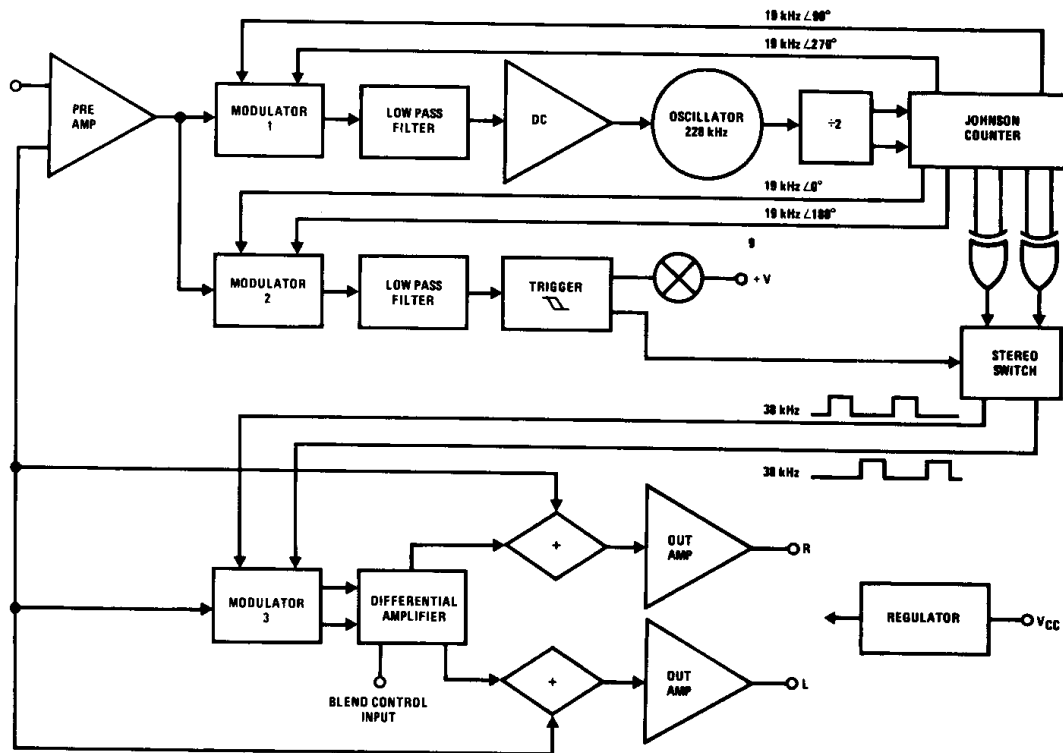


FIGURE 2

TL/H/7973-4

Circuit Description

INTRODUCTION

The LM4500A is a phase-lock-loop stereo decoder which incorporates a variable separation control, and in which sensitivity to the third harmonics of both the pilot and sub-carrier frequencies has been eliminated by the use of appropriate, digitally generated, waveforms in the phase-lock-loop and decoder sections.

The variable separation control may be operated manually, or by a receiver's AGC or S meter signals, to provide smooth transitions between monaural and stereo reception. It operates only during stereo reception: the circuit switches automatically to monaural if the 19 kHz pilot tone is absent.

The elimination of sensitivity to the third harmonic of the sub-carrier (114 kHz) excludes interference from the sidebands of adjacent transmitters, while the elimination of sensitivity to the third harmonic of the pilot tone (57 kHz) excludes interference from the ARI* system which employs this frequency.

CIRCUIT OPERATION

The block diagram of the circuit, shown in *Figure 2*, consists of three sections, the phase-lock-loop, including the digital waveform generator, the stereo switch, and the decoder, in which the composite stereo signal is demodulated and matrixed to separate L and R channels.

In the phase-lock-loop the internal RC oscillator, operating at 228 kHz, feeds a 3-stage Johnson counter, via a binary divider, to generate a series of 19 kHz square waves. By the use of suitably connected NAND and EXCLUSIVE OR gates, the waveforms shown in *Figure 3*, which are used to drive the various modulators in the circuit, are developed.

*Auto Radio Information - used in Europe

The use of such drive waveforms produces the modulating functions also shown in *Figure 3*. The usual square waveforms have been replaced in the PLL and decoder sections by 3-level forms which contain no third harmonic (actually no harmonics which are multiples of 2 or 3 are present). This eliminates the frequency translation of interference from these bands into the low frequency region. Such translation may produce audible components in the decoder section from the sidebands of adjacent channel FM signals, and may produce phase jitter, and consequent intermodulation distortion, in the PLL, from the modulated 57 kHz tones of the ARI system. The LM4500A is inherently free from these effects.

The stereo switch section is of conventional form (e.g. LM1310).

The decoder section consists of a modulator (driven by the waveforms shown in *Figure 3*) whose outputs are the inverted and non-inverted channel difference signals. These signals pass to the output amplifiers via the variable blend circuit in which they are partially combined, and hence mutually attenuated, according to the control voltage applied.

Matrixing occurs at the inputs of the output amplifiers, where the unmodified composite signal is added to the blended channel difference signals. The stereo separation may be progressively reduced from maximum to zero; dependent on the blending. The control law has been made non-linear, as the major redistribution of sound energy occurs at very low separation levels. For monaural, or very weak stereo signals, the modulator in the decoder section is deactivated by the stereo switch circuit. The variable separation control is thus, also, automatically disabled.

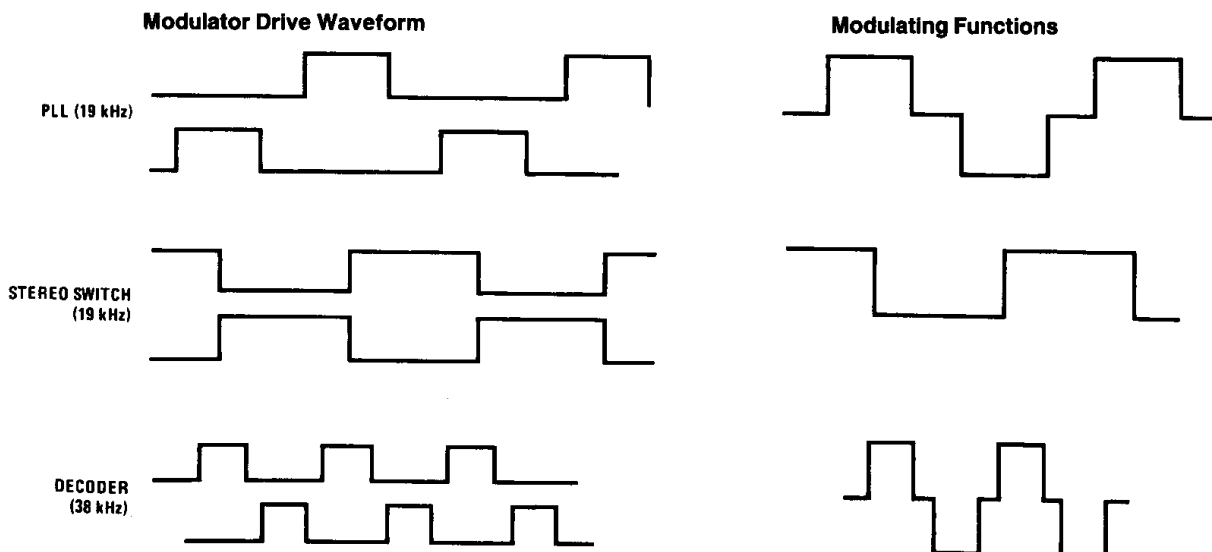


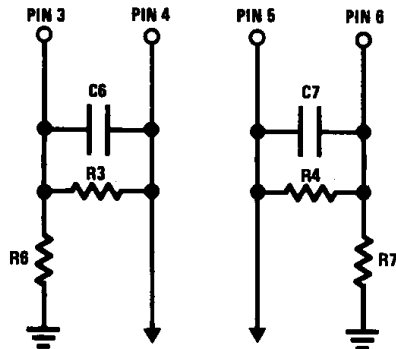
FIGURE 3. Digital Waveforms

TL/H/7973-5

Applications Information

GAIN AND DE-EMPHASIS

The gain and de-emphasis characteristics of the circuit are defined by shunt feedback via the external RC networks (R3, C5, R4, C7 of *Figure 1*) around the output amplifiers. The gain is unity when resistors of 5.1 k Ω are used. Higher gains may be obtained by using networks of the form shown in *Figure 4*.



TL/H/7973-6

FIGURE 4. Output Amplifier Feedback Networks

The resistors R6, R7 are added to correct the output quiescent voltage levels which are optimized for R3, R4 = 5.1 k Ω and which would, if uncorrected, become too low with higher value resistors. Suitable network values are as follows:

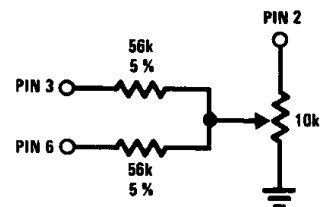
Gain (dB)	R3, R4	C6, C7		R6, R7
		50 μ s	75 μ s	
0	5.1 k Ω	10 nF	15 nF	
3	6.8 k Ω	6.8 nF	10 nF	47k \pm 10%
6	10k	4.7 nF	6.8 nF	27k \pm 10%

The maximum output level is 1 Vrms; consequently the max input is limited to 1.4 Vp-p if the gain is set to 6 dB.

SEPARATION ADJUSTMENT

A separation adjustment may be added, as shown in *Figure 5*, to compensate for the receiver's IF characteristics.

This network reduces the amplification of the channel sum signal in the decoder, to compensate the attenuation of the channel difference signal in the receiver's IF section. The network shown will compensate for up to 2 dB attenuation at 38 kHz. The decoder gain is, obviously, reduced by an amount equal to the compensation required. When used as described, the adjustment also corrects the inherent separation of the decoder, which may be optimized on one channel. Optimization of both channels is possible if separate potentiometers are used to feed each output amplifier.



TL/H/7973-7

FIGURE 5. Networking Providing Adjustable Separation

VARIABLE SEPARATION (BLEND) CONTROL AND 19 kHz OUTPUT

To retain the 16-Pin package the blend control has been combined with the 19 kHz output on Pin 11. The internal circuit providing this combination is shown in *Figure 6*.

If Pin 11 is left open-circuit the 19 kHz signal appears at a mean DC level of 4V. The blend circuit is inoperative at this level and the decoder provides full separation. The 19 kHz signal can be used to tune the internal oscillator.

To reduce the separation the voltage on Pin 11 is reduced. At 3.2V T2 ceases conduction and the 19 kHz signal disappears.

At 2.0V the blend circuit comes into operation and the separation decreases according to the curve shown in *Figure 8*.

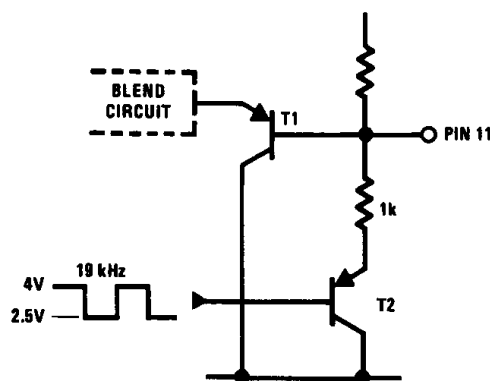
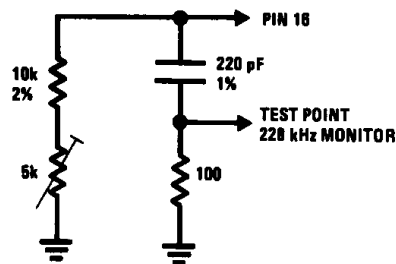


FIGURE 6. Blend Control Input Circuit

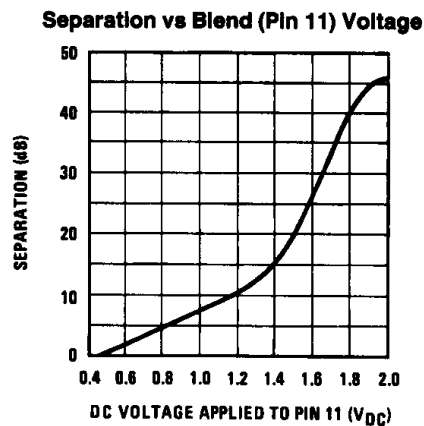
TL/H/7973-8

Applications Information (Continued)



TL/H/7973-9

FIGURE 7. Oscillator Network for Direct Frequency Measurement



TL/H/7973-10

FIGURE 8

Oscillator Tuning

If the variable separation facility is not required Pin 11 is left open-circuit and the 19 kHz signal which then appears may be used to indicate the oscillator frequency. If the variable separation is used, and the drive circuit prevents access to the 19 kHz signal, then the oscillator frequency must be measured directly. A test point should be obtained by modifying the oscillator RC network as in *Figure 7*.

The output is a pulse train of approximately 1.5V amplitude. Connecting frequency counters of up to 300 pF input capacitance produces less than 0.3% change of the oscillator frequency, which should be set to 228 kHz.

HIGH LOOP GAIN COMPONENTS

For applications demanding operation under low pilot level (e.g. car radio) the following component changes to *Figure 1* are recommended.

R1 = 12k	C3 = 150 pF
R2 = 1.5k	C4 = 330 pF
R8 = 330	C5 = 150 pF
P1 = 10k	

EXTERNAL MONO-STEREO SWITCHING AND OSCILLATOR KILLING

If required the LM4500A can be forced into mono mode simply by grounding Pin 9 (see *Figure 1*). The 228 kHz oscillator will be automatically stopped.

The conditions governing mono/stereo switching on Pin 9 are the following:

Quiescent voltage: +2.3 V_{DC}

Current required to ensure mono operation (with 100 mVrms pilot level): 10 μA (from Pin 9 to ground)

Hysteresis: 0.7 μA

Stereo/mono switching & oscillator killing; less than +500 mV

Maximum stray capacitance between Pin 9 and ground: 100 pF

EXTERNAL COMPONENT FUNCTIONS

P1 19 kHz frequency adjustment.

P2 Channel separation adjustment and compensation for IF roll-off.

R3, R6 Gain fixing resistors. The values shown in the schematic are for unity gain.

C6, C7 De-emphasis capacitors. Value to give: RC = 50 μs.

This datasheet has been downloaded from:

www.DatasheetCatalog.com

Datasheets for electronic components.