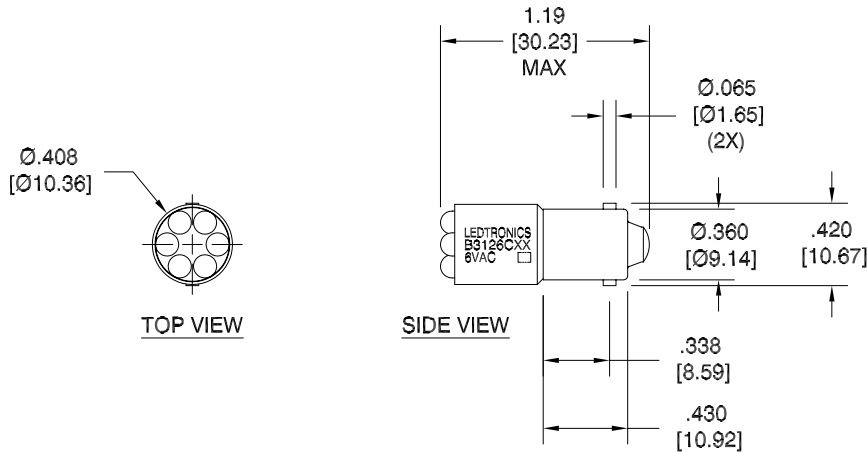


LTR	REVISION	DATE	APPD
-	RELEASED (REF. ECR#092315-JH01)	04-07-16	



NOTES:

1. ALL DIMENSIONS ARE IN INCHES (MILLIMETERS).
2. SLEEVE MATERIAL: RYNITE FR530 (UL94V-1 MINIMUM, UL94V-0 PREFERRED)
3. BASE MATERIAL: SHELL (BODY) IS MADE FROM BRASS WITH NICKEL-PLATED (BARREL)
4. OPERATING TEMPERATURE: ~-30°C to ~+50°C



REVISION NOTIFICATION	
<input type="checkbox"/>	DLC
<input type="checkbox"/>	UL/ETL
<input type="checkbox"/>	MADE IN USA
<input type="checkbox"/>	CUSTOMER _____
<input type="checkbox"/>	OTHER

ELECTRICAL - OPTICAL CHARACTERISTICS (Ta = 25°C)

B3126CG6-0001	B3126C65-6VAC/90	HI-EFF GREEN	6Vac	0.050 A	0.30W	0.550cd	566	60°
B3126CR6-0001	B3126CR6-6VAC/90	ULTRA RED	6Vac	0.060 A	0.36W	1.100cd	654	60°
B3126CY5-0001	B3126CY5-6VAC/90	YELLOW	6Vac	0.055 A	0.33W	0.430cd	585	45°
LEDTRONICS PART NO.	DESCRIPTION PART NO.	COLOR EMITTED	INPUT VOLTAGE, V	CURRENT (A)	POWER (W)	MAXIMUM CANDELA	λP nm	VIEWING ANGLE (FULL BEAM WIDTH @ 50% INTENSITY)



-PROPRIETARY-
 This document contains Proprietary information of LEDTRONICS, INC. It may not be copied, used or disclosed for any purpose without the prior express written consent of LEDTRONICS, INC.

.XXX ± .010 TOLERANCE PER ANSI-Y14.5
 .XX ± .025 (UNLESS OTHERWISE STATED)
 ANGLES ± 0°,30'
 FRACT. ± 1/32

TITLE					
B3126CXX-0001 (B3126CXX-6VAC/90)					
DWG NO	SCALE	SHEET	DATE		
B3126-6VAC	1:1	1 OF 1	04-07-16		
CODE IDENT NO.	DWG BY GP	CHK BY	QA JH	MFG LD	R&D LUV
8Z410	04-07-16		06-03-16	06-03-16	06-03-16