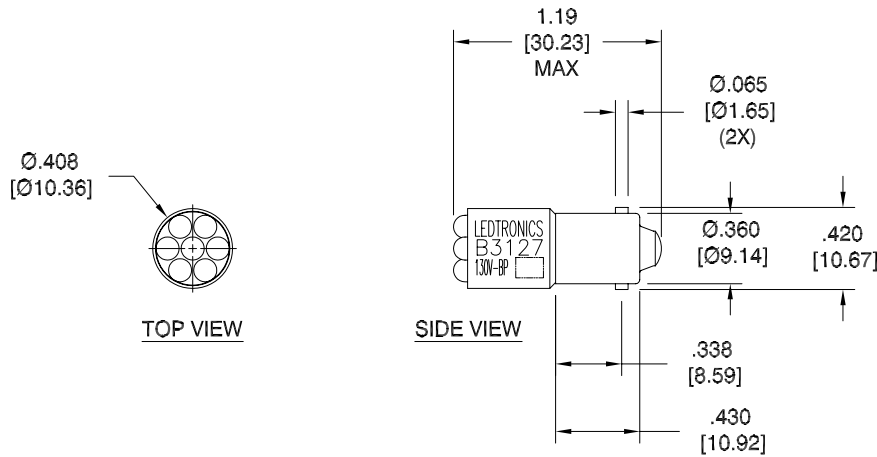


LTR	REVISION	DATE	APPD
A	051117-MM01: ADDED B3127C05-0008	05-11-17	MM



NOTES:

1. ALL DIMENSIONS ARE IN INCHES (MILLIMETERS).
2. SLEEVE MATERIAL: RYNITE FR530 (UL94V-1 MINIMUM, UL94V-0 PREFERRED)
3. BASE MATERIAL: (BODY) BRASS & NICKEL PLATED BRASS (BARREL)

REVISION NOTIFICATION	
<input type="checkbox"/>	DLC
<input type="checkbox"/>	UL/ETL
<input type="checkbox"/>	MADE IN USA
<input type="checkbox"/>	CUSTOMER _____
<input type="checkbox"/>	OTHER
REDLINE CHECKLIST	
<input type="checkbox"/>	REDLINE(YES)
<input type="checkbox"/>	DATE: _____
<input type="checkbox"/>	INITIATED BY: _____
<input type="checkbox"/>	ECR REQUIRED YES <input type="checkbox"/> NO <input type="checkbox"/>
<input type="checkbox"/>	WORK ORDER# _____

B3127CG6-0004	B3127CG6-130V/10-BP	HI-EFF GREEN	130Vdc	0.007 A	0.91W	0.380cd	566	60°	
B3127CR6-0004	B3127CR6-130V/10-BP	ULTRA RED	130Vdc	0.007 A	0.91W	0.525cd	654	60°	
B3127C05-0008	B3127C05-130V/10-BP	ORANGE	130Vdc	0.010 A	-	-	610	50°	
B3127CY5-0006	B3127CY5-130V/10-BP	YELLOW	130Vdc	0.007 A	0.91W	0.210cd	585	45°	
LEDTRONICS PART NO.	DESCRIPTION PART NO.	COLOR EMITTED	ELECTRICAL TEST						VIEWING ANGLE (FULL BEAM WIDTH @ 50% INTENSITY)
			INPUT VOLTAGE, V	CURRENT (A)	POWER (W)	MAXIMUM CANDELA	λP nm		

<p>LEDTRONICS, INC. 23105 KASHIWA COURT TORRANCE, CA 90505</p>	<p>-PROPRIETARY- This document contains Proprietary information of LEDTRONICS, INC. It may not be copied, used or disclosed for any purpose without the prior express written consent of LEDTRONICS, INC.</p>		<p>TITLE B3127CXX-000X (B3127CXX-130V/10-BP)</p>					
	<p>.XXX ± .010 TOLERANCE PER ANSI-Y14.5 .XX ± .025 (UNLESS OTHERWISE STATED)</p>		DWG NO	SCALE	SHEET	DATE		
	<p>ANGLES ± 0°,30' FRACT. ± 1/32</p>		B3127-130V-BP	1:1	1 OF 1	08-27-12		
			CODE IDENT NO. 8Z410	DWG BY GP 08-27-12	CHK BY	QA EE 05-11-17	MFG LD 05-11-17	R&D LUV 05-11-17