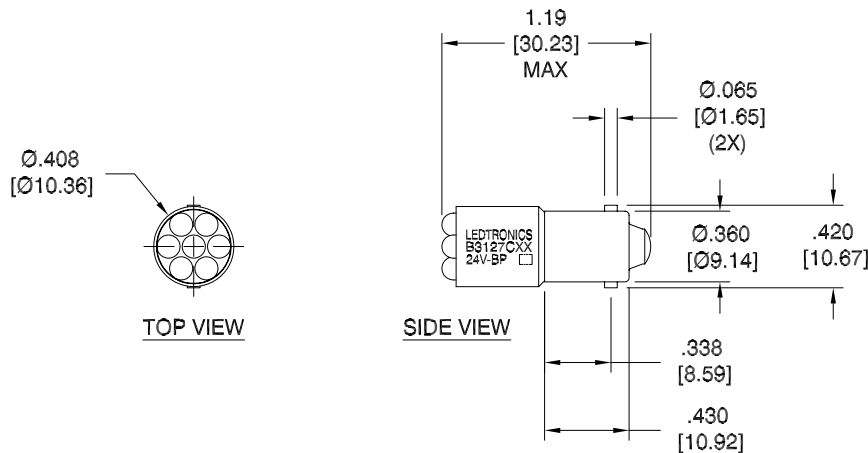


LTR	REVISION	DATE	APPD
A	092315-JH01: CHG. O.D. OF SLEEVE FROM 0.400 TO 0.408	04-06-16	GP



NOTES:

1. ALL DIMENSIONS ARE IN INCHES (MILLIMETERS).
2. SLEEVE MATERIAL: RYNITE FR530 (UL94V-1 MINIMUM, UL94V-0 PREFERRED)
3. BASE MATERIAL: SHELL (BODY) IS MADE FROM BRASS WITH NICKEL-PLATED (BARREL)
4. OPERATING TEMPERATURE: ~-30°C to ~+50°C



REVISION NOTIFICATION
<input type="checkbox"/> DLC
<input type="checkbox"/> UL/ETL
<input type="checkbox"/> MADE IN USA
<input type="checkbox"/> CUSTOMER _____
<input type="checkbox"/> OTHER

ELECTRICAL - OPTICAL CHARACTERISTICS (Ta = 25°C)

LEDTRONICS PART NO.	DESCRIPTION PART NO.	COLOR EMITTED	INPUT VOLTAGE, V	CURRENT (A)	POWER (W)	MAXIMUM CANDELA	λ P nm	VIEWING ANGLE (FULL BEAM WIDTH @ 50% INTENSITY)
B3127CG6-0001	B3127CG6-28V-BP	HI-EFF GREEN	28Vdc	0.025 A	0.70W	0.980cd	566	60°
B3127CR5-0015	B3127CR5-28V-BP	HI-EFF RED	28Vdc	0.025 A	0.70W	0.525cd	642	40°
B3127CR6-0016	B3127CR6-28V-BP	ULTRA RED	28Vdc	0.025 A	0.70W	1.300cd	654	60°
B3127CW5-0005	B3127CW5-28V/30-BP	PALE WHITE (Rd-Gn)	28Vdc	0.030 A	-	-	642/566	60°
B3127CY5-0015	B3127CY5-28V/30-BP	YELLOW	28Vdc	0.025 A	0.70W	0.525cd	585	45°
B3127CPG5-0001	B3127CPG5-28V-BP	PURE GREEN	28Vdc	0.025 A	0.70W	-	557	50°

LEDTRONICS PART NO.	DESCRIPTION PART NO.	COLOR EMITTED	INPUT VOLTAGE, V	CURRENT (A)	POWER (W)	MAXIMUM CANDELA	λ P nm	VIEWING ANGLE (FULL BEAM WIDTH @ 50% INTENSITY)
---------------------	----------------------	---------------	------------------	-------------	-----------	-----------------	--------	---



-PROPRIETARY-
 This document contains Proprietary information of LEDTRONICS, INC. It may not be copied, used or disclosed for any purpose without the prior express written consent of LEDTRONICS, INC.

.XXX ± .010 TOLERANCE PER ANSI-Y14.5 (UNLESS OTHERWISE STATED)
 .XX ± .025
 ANGLES ± 0°,30'
 FRACT. ± 1/32

TITLE B3127CXXX-00XX (B3127CXXX-28V/30-BP)							
DWG NO	SCALE	SHEET	DATE				
B3127-28VBP	1:1	1 OF 1	06-21-11				
CODE IDENT NO. 8Z410	DWG BY GP 06-21-11	CHK BY	QA JH 06-03-16	MFG LD 06-03-16	R&D LUV 06-03-16		