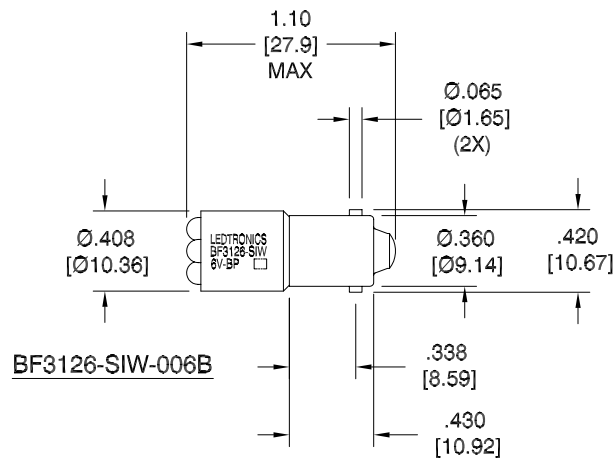
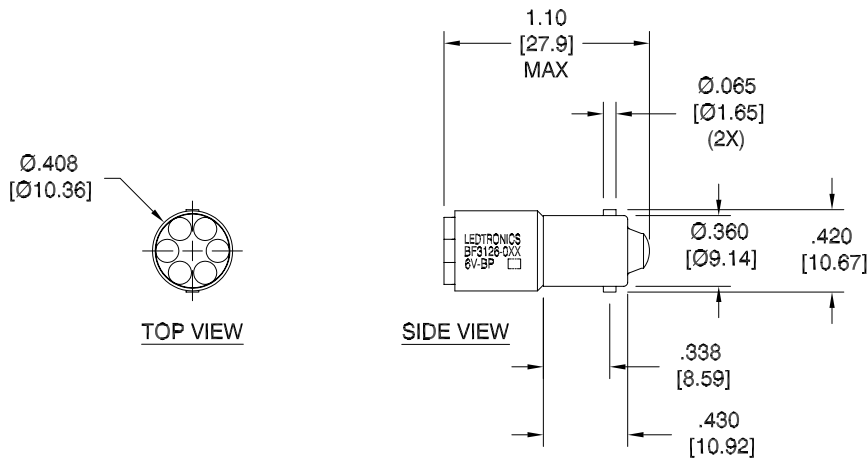


LTR	REVISION	DATE	APPD
-	RELEASED (REF. ECR#092315-JH01)	11-23-15	



**NOTES:**

1. ALL DIMENSIONS ARE IN INCHES (MILLIMETERS).
2. PARTS WITH (\*) ARE RoHS CERTIFIED.
3. SLEEVE MATERIAL: RYNITE FR530 (UL94V-1 MINIMUM, UL94V-0 PREFERRED)
4. BASE MATERIAL: SHELL (BODY) IS MADE FROM BRASS WITH NICKEL-PLATED (BARREL)
5. OPERATING TEMPERATURE: ~-30°C to ~+50°C

REVISION NOTIFICATION	
<input type="checkbox"/>	DLC
<input type="checkbox"/>	UL/ETL
<input type="checkbox"/>	MADE IN USA
<input type="checkbox"/>	CUSTOMER _____
<input type="checkbox"/>	OTHER

**ELECTRICAL - OPTICAL CHARACTERISTICS (Ta = 25°C)**

BF3126-0AG-006B	AQUA GREEN	6Vdc	0.48W	0.080 A	1.200cd	520	-	105°
BF3126-0CW-006B	COOL WHITE	6Vdc	0.48W	0.080 A	0.900cd	-	8000K	105°
BF3126-0UG-006B*	SUPER GREEN	6Vdc	0.27W	0.045 A	0.216cd	574	-	110°
BF3126-0UR-006B*	ULTRA RED	6Vdc	0.30W	0.050 A	0.600cd	654	-	105°
BF3126-0UY-006B*	SUPER YELLOW	6Vdc	0.30W	0.050 A	0.380cd	593	-	120°
BF3126-SIW-006B	WARM WHITE	6Vdc	-	0.090 A	-	-	2800K~3200K	85°
LEDTRONICS PART NO.	COLOR EMITTED	INPUT VOLTAGE, V	POWER (W)	CURRENT (A)	MAXIMUM CANDELA	λP nm	COLOR TEMP. (K)	VIEWING ANGLE (FULL BEAM WIDTH @ 50% INTENSITY)

**LED**<sup>®</sup>  
**LEDTRONICS, INC.**<sup>™</sup>  
 23105 KASHIWA COURT  
 TORRANCE, CA 90505

**-PROPRIETARY-**  
 This document contains Proprietary information of LEDTRONICS, INC. It may not be copied, used or disclosed for any purpose without the prior express written consent of LEDTRONICS, INC.

.XXX ± .010 TOLERANCE PER ANSI-Y14.5  
 .XX ± .025 (UNLESS OTHERWISE STATED)  
 ANGLES ± 0°,30'  
 FRACT. ± 1/32

TITLE <b>BF3126-XXX-006B</b>					
DWG NO BF3126-6V-BP		SCALE 1:1	SHEET 1 OF 1	DATE 11-23-15	
CODE IDENT NO. 8Z410	DWG BY GP 11-23-15	CHK BY PL 11-24-15	QA	MFG	R&D